



FORGED AUTOMOTIVE PRODUCTS



2015

Gültig ab September 2014

**PISTONS
CONRODS
BOLTS
GASKETS**





We are the innovative specialists for high performance pistons and conrods. Our products are to be found in engines operating at the highest levels of motor sport, in competition and, of course, in everyday use – in fact, anywhere where longevity and operational noise are important factors.

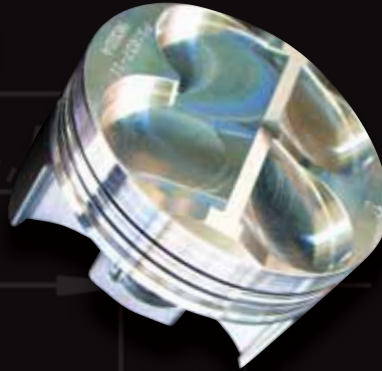
Wössner products are the source of the superior power behind the success of well known motor sport teams at national and international race meets.

WÖSSNER PRODUCTS

FOR ALL MAKES

WÖSSNER PISTONS

Forged high performance pistons for various applications in nearly all engine types for racing and street use (Material: 4032-T6, 2618-T6).

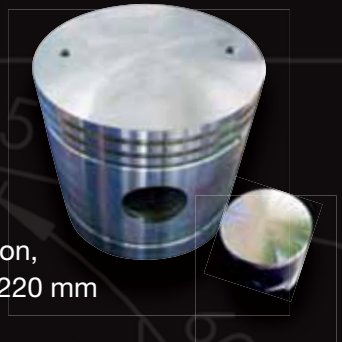


WÖSSNER CONRODS

Forged high performance steel (40 CrNiMoA) conrods, H-beam with ARP-bolts, optimal balanced, suitable for all common models.

WÖSSNER SPECIAL PISTONS

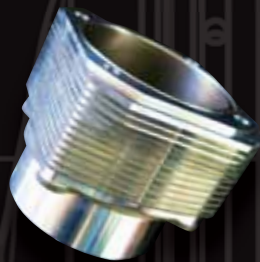
For special application, size from 35 mm to 220 mm diameter.



FOR PORSCHE

WÖSSNER CYLINDERS FOR PORSCHE

Forged cylinders for Porsche, high quality Nickel Silicone Carbide Plating.



WÖSSNER SLEEVES FOR PORSCHE

Various materials with high quality Nickel Silicone Carbide Plating.



OTHERS



Cometic Gaskets

The involvement in motorsports racing led to the development of breakthrough technologies which are now applied to every Cometic gasket. Cometic supplies gaskets for a variety of hi-performance motorsports markets.



ARP Rod Bolts

Connecting rod bolts are one of the main important fasteners in any engine. ARP is one of the world leader in racing fastener technology.

FORGED AUTOMOTIVE PRODUCTS

Alfa Romeo	5
Audi	6-8
BMW	9-11
Citroën	12-15
Ferrari	16-17
Fiat	18-19
Ford	20-24
Honda	25-29
Lancia	30
Mazda	31-32
MG	33
Mini Cooper	34
Mitsubishi	35-37
Nissan	38-42
Opel	43-45
Peugeot	46-53
Porsche	54-61
Renault	62-67
Rover	68
Saab	69
Seat	70-71
Subaru	72-75
Toyota	76-78
Volvo	79
VW	80-85
Pistons	86
Rod Bolts	87
Conrods	88-93
Quality Assurance	94-95
FGM, Monale, Italy	96-97
Piston Terminology	98
Gaskets	99-134
Pinlist	135-136
Ringlist	137-139
Order Forms	140-141
Instructions	142
Notizen	143-146
Terms and Conditions	147

WARRANTY DISCLAIMER

Due to the nature of performance applications, the parts in this kit are sold without any express warranty or any implied warranty of merchantability or fitness for a particular purpose. Wössner GmbH shall not, under any circumstances, be liable for any special, incidental or consequential damages, including, but not limited to damage, or loss of profits or revenue, cost of purchased or replacement goods, or claims of customers of the purchaser, which may arise and/or result from sale, installation or use of these parts. Installation of these parts could adversely affect the vehicle manufacturer's warranty coverage. Pistons are useable for racing only.

Fehler und Änderungen, sowie Preisänderungen vorbehalten.

Errors and changes, as well as changes in prices excepted.

Alfa Romeo®



Alle Angaben zum Verdichtungsverhältnis, Domvolumen und Kolbengewicht beziehen sich nur auf unser Standardmaß DA.

All information on compression ratio, dome volume and piston weight is valid for our standard size DA only.

Model	145 / 146 / 155 / 156 / 166 / GTV / Spider 2.0Ltr. 16V	145 / 146 / 155 / 156 / 166 / GTV / Spider 2.0Ltr. 16V Turbo	147 / 156 2.0Ltr. 16V Twin Spark	164 / 75 3.0Ltr. V6 12V (185PS)
Years	-	-	-	-
Engine typ	AR32301	AR32301	AR32310	AR06412
Displ. (cm ³)	1970	1970	1970	2959

Piston kit part no.	Bore size (mm)	Ring set part no.	Piston kit part no.	Bore size (mm)	Ring set part no.	Piston kit part no.	Bore size (mm)	Ring set part no.	Piston kit part no.	Bore size (mm)	Ring set part no.
K9142DA	83.00	830XSY	K9143D050	83.50	835XTY	K9236DA	83.00	830XSY	K9144DA	93.00	930XSY
K9142D050	83.50	835XSY	K9143D100	84.00	840XTY	K9236D050	83.50	835XSY	K9144D050	93.50	935XSY
K9142D100	84.00	840XSY				K9236D100	84.00	840XSY	K9144D100	94.00	940XSY

Stroke (mm)	91.00	91.00	91.00	72.60
Wössner comp. ratio	12.6:1	8.5:1	12.6:1	11.5:1
OE comp. ratio	10.0:1	10.0:1	10.0:1	9.5:1
Dome volume (cm ³)	+2.6	-20.0	+2.5	+34.0
Comp. height (mm)	32.00	32.00	31.50	33.00
Valves per cylinder	4	4	4	2
Cylinder no.	4	4	4	6
Piston weight (g)	310.00	302.00	305.00	413.00
Clip part no.	CW20	CW20	CW20	CW22
Pin part no.	WP052	WP061	WP052	WP017
Rod length (mm)	145.00	145.00	145.00	-
Price code	A4.3	A4.3	A4.3	A6.1
Top end gasket kit	-	-	-	-
Wössner connect. rods	-	-	-	-

Audi®



Alle Angaben zum Verdichtungsverhältnis, Domvolumen und Kolbengewicht beziehen sich nur auf unser Standardmaß DA.

All information on compression ratio, dome volume and piston weight is valid for our standard size DA only.

	3D rounded	Neu!		
Model	A3 TFSI 1,4Ltr.	A4 / A6 1.8Ltr. 20V Turbo (150PS)	A6 / S4 / B5 2.7Ltr. Bi-Turbo	RS4 2.7Ltr. V6 Bi-Turbo
Years	-	-	97-01 (S4)	-
Engine typ	CAX / CAV / CVA	AEB / AGU	AGB / ASJ / AZB	AZR / ASJ / AZF
Displ. (cm³)	1390	1781	2669	2669

Piston kit part no.	Bore size (mm)	Ring set part no.	Piston kit part no.	Bore size (mm)	Ring set part no.	Piston kit part no.	Bore size (mm)	Ring set part no.	Piston kit part no.	Bore size (mm)	Ring set part no.
K9481DA	76.50	765XTZ	K9075DA	81.00	810XTY	K9091DA	81.00	810XTY	K9215D050	81.50	815XTY
K9481D050	77.00	770XTZ	K9075D050	81.50	815XTY	K9091D050	81.50	815XTY	K9215D100	82.00	820XTY
			K9075D100	82.00	820XTY	K9091D100	82.00	820XTY			
			K9075D150	82.50	825XTY						

Stroke (mm)	-	86.40	86.40	86.40
Wössner comp. ratio	-	8.5:1	8.5:1	8.0:1
OE comp. ratio	10.0:1	9.5:1	9.3:1	9.0:1
Dome volume (cm³)	-7.5	-9.7	-	-15.0
Comp. height (mm)	29.00	32.70	30.70	30.70
Valves per cylinder	4	5	5	5
Cylinder no.	4	4	6	6
Piston weight (g)	-	282.00	278.00	284.00
Clip part no.	CW19	CW20	CW21	CW21
Pin part no.	WP037	WP061	WP092	WP092
Rod length (mm)	-	144.00	154.00	154.00
Price code	A4.6	A4.2	A6.1	A6.1
Top end gasket kit	see gasket list 100 - 134	see gasket list 100 - 134	see gasket list 100 - 134	see gasket list 100 - 134
Wössner connect. rods	-	KPL018	-	-

Audi®

Alle Angaben zum Verdichtungsverhältnis, Domvolumen und Kolbengewicht beziehen sich nur auf unser Standardmaß DA.

All information on compression ratio, dome volume and piston weight is valid for our standard size DA only.

Model	Coupe S2	A3 / TT 1.8Ltr. 20V Turbo (180PS)	S3 / TT 1.8Ltr. 20V Turbo (225PS)	S3 / TT 1.8Ltr. 20V Turbo (225PS)
Years	-	-	-	-
Engine typ	3B / ABY	APP / ARY / AUQ	APX / APY / BAM	APX / APY / BAM
Displ. (cm ³)	2224	1781	1781	1781

Piston kit part no.	Bore size (mm)	Ring set part no.	Piston kit part no.	Bore size (mm)	Ring set part no.	Piston kit part no.	Bore size (mm)	Ring set part no.	Piston kit part no.	Bore size (mm)	Ring set part no.
K9201DA-5	81.00	810XTY	K9145DA	81.00	810XTY	K9075DA	81.00	810XTY	K9271DA	81.00	810XTY
K9201D050-5	81.50	815XTY	K9145D100	82.00	820XTY	K9075D050	81.50	815XTY	K9271D050	81.50	815XTY
K9201D100-5	82.00	820XTY	K9145D150	82.50	825XTY	K9075D100	82.00	820XTY	K9271D100	82.00	820XTY
K9201D150-5	82.50	825XTY				K9075D150	82.50	825XTY	K9271D150	82.50	825XTY
K9201D200-5	83.00	830XTY									

Stroke (mm)	86.40	86.40	86.40	86.40
Wössner comp. ratio	8.0:1	9.5:1	8.5:1	9.5:1
OE comp. ratio	9.3:1	9.5:1	8.9:1	8.9:1
Dome volume (cm ³)	-12.3	-6.3	-9.7	-6.0
Comp. height (mm)	33.40	32.70	32.70	32.70
Valves per cylinder	4	5	5	5
Cylinder no.	5	4	4	4
Piston weight (g)	306.00	301.00	282.00	280.00
Clip part no.	CW20	CW19	CW20	CW20
Pin part no.	WP061	WP026	WP061	WP061
Rod length (mm)	144.00	144.00	144.00	144.00
Price code	A5.1	A4.3	A4.2	A4.3
Top end gasket kit	see gasket list 100 - 134	see gasket list 100 - 134	see gasket list 100 - 134	see gasket list 100 - 134
Wössner connect. rods	KPL018	-	KPL018	KPL018

Audi®



Alle Angaben zum Verdichtungsverhältnis, Domvolumen und Kolbengewicht beziehen sich nur auf unser Standardmaß DA.

All information on compression ratio, dome volume and piston weight is valid for our standard size DA only.

3D rounded

Model	A3 / S3 / A4 2.0Ltr. 16V T FSI Turbo	2.0Ltr. 20V None Turbo (Racing Version)
Years	-	-
Engine typ	AXX / BHZ / BGB / BWE / BUL / CDNB / BYK / BPJ	AEB / AGN / ALT
Displ. (cm³)	1998	1983

Piston kit part no.	Bore size (mm)	Ring set part no.	Piston kit part no.	Bore size (mm)	Ring set part no.
K9213DA	82.50	825XTY	K9270DA	82.50	825XSY
K9213D050	83.00	830XTY	K9270D020	82.70	827XSY
K9213D100	83.50	835XTY			

Stroke (mm)	92.80	92.80
Wössner comp. ratio	9.2:1	12.3:1
OE comp. ratio	10.5:1	8.9:1
Dome volume (cm³)	-6.7	+7.5
Comp. height (mm)	29.50	29.50
Valves per cylinder	4	5
Cylinder no.	4	4
Piston weight (g)	334.00	295.00
Clip part no.	CW20	CW20
Pin part no.	WP061	WP052
Rod length (mm)	144.00	144.00
Price code	A4.3	A4.3
Top end gasket kit	see gasket list 100 - 134	see gasket list 100 - 134
Wössner connect. rods	KPL018	KPL018

BMW®



Alle Angaben zum Verdichtungsverhältnis, Domvolumen und Kolbengewicht beziehen sich nur auf unser Standardmaß DA.

All information on compression ratio, dome volume and piston weight is valid for our standard size DA only.

¹ Ringe müssen gekürzt werden
Rings need to be shortened

Model	M3 2.3Ltr. 16V	M3 2.3Ltr. 16V OEM Comp. ratio	M3 2.5Ltr. 16V Sport EVO DTM	M3 2.5Ltr. 16V Sport EVO Berg
Years	-	-	-	-
Engine typ	S14 / B23	S14 / B23	S14 / B23	S14 / B23
Displ. (cm ³)	2312	2312	2467	2467

Piston kit part no.	Bore size (mm)	Ring set part no.	Piston kit part no.	Bore size (mm)	Ring set part no.	Piston kit part no.	Bore size (mm)	Ring set part no.	Piston kit part no.	Bore size (mm)	Ring set part no.
K9024D020	93.60	936XSY	K9277D020	93.60	936XSY	K9007D028	95.28	¹ 955XSY	K9008D028	95.28	¹ 955XSY
K9024D040	93.80	938XSY	K9277D040	93.80	938XSY	K9007D034	95.34	¹ 955XSY	K9008D034	95.34	¹ 955XSY
K9024D060	94.00	940XSY	K9277D060	94.00	940XSY	K9007D044	95.44	¹ 955XSY	K9008D044	95.44	¹ 955XSY
K9024D080	94.20	942XSY	K9277D080	94.20	942XSY	K9007D050	95.50	955XSY	K9008D050	95.50	955XSY
						K9007D080	95.80	¹ 960XSY	K9008D080	95.80	¹ 960XSY

Stroke (mm)	84.00	84.00	87.00	87.00
Wössner comp. ratio	13.0:1	10.8:1	12.8:1	12.8:1
OE comp. ratio	10.5:1	10.5:1	12.8:1	12.8:1
Dome volume (cm ³)	+2.7	-6.9	+0.5	+0.8
Comp. height (mm)	32.00	32.00	30.60	25.00
Valves per cylinder	4	4	4	4
Cylinder no.	4	4	4	4
Piston weight (g)	360.00	357.00	345.00	314.00
Clip part no.	CW22	CW22	CW22	CW22
Pin part no.	WP017	WP017	WP098	WP009
Rod length (mm)	144.00	144.00	144.00	149.70
Price code	A4.3	A4.3	A4.7	A4.7
Top end gasket kit	see gasket list 100 - 134	see gasket list 100 - 134	see gasket list 100 - 134	see gasket list 100 - 134
Wössner connect. rods	KPL002	KPL002	KPL002	-

BMW®



Alle Angaben zum Verdichtungsverhältnis, Domvolumen und Kolbengewicht beziehen sich nur auf unser Standardmaß DA.

All information on compression ratio, dome volume and piston weight is valid for our standard size DA only.

¹ Ringe müssen gekürzt werden
Rings need to be shortened

Model	M3 3.0Ltr. 24V 2-Ring Version	M3 3.0Ltr. 24V 3-Ring Version	M3 3.0Ltr. 24V Turbo	2002TII
Years	92-95	92-95	92-95	-
Engine typ	S50B30	S50B30	S50B30	M10B20
Displ. (cm ³)	2990	2990	2990	1988

Piston kit part no.	Bore size (mm)	Ring set part no.	Piston kit part no.	Bore size (mm)	Ring set part no.	Piston kit part no.	Bore size (mm)	Ring set part no.	Piston kit part no.	Bore size (mm)	Ring set part no.
K9043DA	86.00	860XSY	K9400DA	86.00	860XSY	K9293DA	86.00	860XTY	K9399DA	89.00	890XSY
K9043D050	86.50	865XSY	K9400D050	86.50	865XSY				K9399D020	89.20	¹ 892XSY
K9043D075	86.75	867XSY	K9400D075	86.75	867XSY				K9399D050	89.50	895XSY
K9043D100	87.00	870XSY	K9400D100	87.00	870XSY				K9399D075	89.75	897XSY
									K9399D100	90.00	900XSY

Stroke (mm)	86.00	86.00	86.00	80.00
Wössner comp. ratio	12.6:1	12.6:1	8.5:1	11.8:1
OE comp. ratio	10.5:1	10.5:1	10.5:1	9.5:1
Dome volume (cm ³)	+5.0	+5.0	-25.3	+28.8
Comp. height (mm)	31.50	31.50	31.50	43.50
Valves per cylinder	4	4	4	2
Cylinder no.	6	6	6	4
Piston weight (g)	306.00	306.00	336.00	368.00
Clip part no.	CW21	CW21	CW21	CW22
Pin part no.	WP051	WP051	WP092	WP017
Rod length (mm)	142.00	142.00	142.00	135.00
Price code	A6.1	A6.1	A6.1	A4.3
Top end gasket kit	see gasket list 100 - 134	see gasket list 100 - 134	see gasket list 100 - 134	see gasket list 100 - 134
Wössner connect. rods	KPL042	KPL042	KPL042	-

BMW®



Alle Angaben zum Verdichtungsverhältnis, Domvolumen und Kolbengewicht beziehen sich nur auf unser Standardmaß DA.

All information on compression ratio, dome volume and piston weight is valid for our standard size DA only.

Model	M3 3.2Ltr. 24V 3-Ring Version	M3 3.2Ltr. 24V Turbo	M3 3.25Ltr. 24V	M3 3.25Ltr. 24V Turbo
Years	until 95	until 95	-	-
Engine typ	S50B32	S50B32	S54E46	S54E46
Displ. (cm ³)	3209	3209	3246	3246

Piston kit part no.	Bore size (mm)	Ring set part no.	Piston kit part no.	Bore size (mm)	Ring set part no.	Piston kit part no.	Bore size (mm)	Ring set part no.	Piston kit part no.	Bore size (mm)	Ring set part no.
K9038DA	86.50	865XSY	K9294D010	86.50	865XTY	K9202DA	87.00	870XSY	K9295DA	87.00	870XTY
K9038D025	86.75	867XSY	K9294D060	87.00	870XTY	K9202D050	87.50	875XSY			
K9038D050	87.00	870XSY									

Stroke (mm)	91.00	91.00	91.00	91.00
Wössner comp. ratio	12.3:1	8.7:1	12.3:1	8.8:1
OE comp. ratio	11.3:1	11.3:1	11.3:1	11.3:1
Dome volume (cm ³)	-5.4	-27.0	-5.4	-27.0
Comp. height (mm)	32.30	32.30	32.30	32.30
Valves per cylinder	4	4	4	4
Cylinder no.	6	6	6	6
Piston weight (g)	316.00	333.00	316.00	320.00
Clip part no.	CW21	CW21	CW21	CW21
Pin part no.	WP034	WP092	WP034	WP092
Rod length (mm)	139.00	139.00	139.00	139.00
Price code	A4.2	A6.1	A6.1	A6.1
Top end gasket kit	see gasket list 100 - 134	see gasket list 100 - 134	see gasket list 100 - 134	see gasket list 100 - 134
Wössner connect. rods	KPL041	KPL041	-	-

Citroën®



Alle Angaben zum Verdichtungsverhältnis, Domvolumen und Kolbengewicht beziehen sich nur auf unser Standardmaß DA.

All information on compression ratio, dome volume and piston weight is valid for our standard size DA only.

² Brennraum muss der Domform des Kolbens angepasst werden
Combustion chamber need to be adapted at piston dome design

Model	² AX Sport 1.3Ltr.	² AX GTI 1.4Ltr.	² AX GTI 1.4Ltr.
Years	-	-	-
Engine typ	TU24	TU3J2	TU3J2
Displ. (cm ³)	1294	1360	1361

Piston kit part no.	Bore size (mm)	Ring set part no.	Piston kit part no.	Bore size (mm)	Ring set part no.	Piston kit part no.	Bore size (mm)	Ring set part no.
K9114DA	75.00	750XDS	K9108DA	75.00	750XDS	K9109DA	75.00	750XDS
K9114D050	75.50	755XDS	K9108D050	75.50	755XDS	K9109D050	75.50	755XDS
K9114D100	76.00	760XDS	K9108D100	76.00	760XDS	K9109D100	76.00	760XDS

Stroke (mm)	73.20	77.00	77.00
Wössner comp. ratio	11.5:1	11.4:1	11.7:1
OE comp. ratio	9.6:1	9.6:1	9.6:1
Dome volume (cm ³)	+7.2	+5.6	+9.6
Comp. height (mm)	38.80	41.50	35.00
Valves per cylinder	2	2	2
Cylinder no.	4	4	4
Piston weight (g)	252.00	278.00	248.00
Clip part no.	CW18	CW18	CW20 (19.46)
Pin part no.	WP031	WP031	WP096
Rod length (mm)	112.30	126.80	133.60
Price code	A4.2	A4.3	A4.3
Top end gasket kit	-	-	-
Wössner connect. rods	-	-	KPL020

Citroën®



Alle Angaben zum Verdichtungsverhältnis, Domvolumen und Kolbengewicht beziehen sich nur auf unser Standardmaß DA.

All information on compression ratio, dome volume and piston weight is valid for our standard size DA only.

Model	Saxo VTS 1.6Ltr. 16V Turbo	Saxo VTS 1.6Ltr. 16VA	Saxo Kit Car 1.6Ltr. 16V	Saxo VTS 1.6Ltr. 16VA Stroker Kit
Years	-	-	-	-
Engine typ	TU5J4	TU5J4	TU5J4	TU5J4
Displ. (cm ³)	1587	1587	1596	17745

Piston kit part no.	Bore size (mm)	Ring set part no.	Piston kit part no.	Bore size (mm)	Ring set part no.	Piston kit part no.	Bore size (mm)	Ring set part no.	Piston kit part no.	Bore size (mm)	Ring set part no.
K9089DA	78.50	785XTZ	K9039DA	78.50	785XDS	K9150D020	78.70	787XDS	K9407D100	79.50	795XDS
K9089D020	78.70	787XTZ	K9039D020	78.70	787XDS	K9150D050	79.00	790XDS	K9407D150	80.00	800XDS
K9089D050	79.00	790XTZ	K9039D050	79.00	790XDS						
K9089D100	79.50	795XTZ	K9039D100	79.50	795XDS						
			K9039D150	80.00	800XDS						

Stroke (mm)	82.00	82.00	82.00	89.00
Wössner comp. ratio	9.0:1	12.0:1	12.7:1	-
OE comp. ratio	10.7:1	10.7:1	12.7:1	10.7:1
Dome volume (cm ³)	-	+7.1	+6.7	-
Comp. height (mm)	32.50	32.50	28.30	29.00
Valves per cylinder	4	4	4	4
Cylinder no.	4	4	4	4
Piston weight (g)	284.00	260.00	254.00	257.00
Clip part no.	CW20 (19.46)	CW20 (19.46)	CW18	CW20 (19.46)
Pin part no.	WP035	WP096	WP031	WP096
Rod length (mm)	133.60	133.60	137.75	133.60
Price code	A4.3	A4.2	A4.2	A4.3
Top end gasket kit	see gasket list 100 - 134	see gasket list 100 - 134	see gasket list 100 - 134	see gasket list 100 - 134
Wössner connect. rods	KPL020	KPL020	KPL030	KPL020

Citroën®



Alle Angaben zum Verdichtungsverhältnis, Domvolumen und Kolbengewicht beziehen sich nur auf unser Standardmaß DA.

All information on compression ratio, dome volume and piston weight is valid for our standard size DA only.

¹ Ringe müssen gekürzt werden
Rings need to be shortened

Model	C2 VTS 1.6Ltr. 16VA	C2 VTS 1.6Ltr. 16V Kit Car	ZX 2.0Ltr. 16V (155PS)	ZX / Xsara 2.0Ltr. 16V (167PS)
Years	-	-	-	-
Engine typ	TU5JP4	TU5JP4	XU10J4	XU10J4RS
Displ. (cm ³)	1587	1594	1998	1998

Piston kit part no.	Bore size (mm)	Ring set part no.	Piston kit part no.	Bore size (mm)	Ring set part no.	Piston kit part no.	Bore size (mm)	Ring set part no.	Piston kit part no.	Bore size (mm)	Ring set part no.
K9177DA	78.50	785XDS	K9233D020	78.70	787XDS	K9041DA	86.00	860XSY	K9181DA	86.00	860XSY
K9177D020	78.70	787XDS				K9041D050	86.50	865XSY	K9181D050	86.50	865XSY
K9177D050	79.00	790XDS				K9041D100	87.00	870XSY	K9181D100	87.00	870XSY
K9177D150	80.00	800XDS									

Stroke (mm)	82.00	82.00	86.00	86.00
Wössner comp. ratio	12.2:1	12.7:1	12.2:1	12.2:1
OE comp. ratio	10.8:1	10.8:1	10.4:1	10.8:1
Dome volume (cm ³)	+8.7	+7.6	+5.9	+2.8
Comp. height (mm)	32.10	28.00	38.00	34.00
Valves per cylinder	4	4	4	4
Cylinder no.	4	4	4	4
Piston weight (g)	260.00	243.00	362.00	317.00
Clip part no.	CW18	CW18	CW22	CW20
Pin part no.	WP031	WP031	WP009	WP038
Rod length (mm)	133.60	137.75	152.00	158.00
Price code	A4.2	A4.3	A4.3	A4.2
Top end gasket kit	-	-	see gasket list 100 - 134	see gasket list 100 - 134
Wössner connect. rods	KPL019	KPL030	KPL028	KPL029

Citroën®



Alle Angaben zum Verdichtungsverhältnis, Domvolumen und Kolbengewicht beziehen sich nur auf unser Standardmaß DA.

All information on compression ratio, dome volume and piston weight is valid for our standard size DA only.

Model	ZX / Xsara 2.0Ltr. 16V Turbo (167PS)	C4 VTR 2.0Ltr. 16V (177PS)	Xantia / XM / Evasion 2.0Ltr. 8V Turbo	3D rounded DS3
Years	-	-	-	-
Engine typ	XU10J4RS	EW10J4RS	XU10J2CTE	EP6
Displ. (cm ³)	1998	1997	1997	1597

Piston kit part no.	Bore size (mm)	Ring set part no.	Piston kit part no.	Bore size (mm)	Ring set part no.	Piston kit part no.	Bore size (mm)	Ring set part no.	Piston kit part no.	Bore size (mm)	Ring set part no.
K9203DA	86.00	860XTY	K9190DA	85.00	850XSY	K9199DA	86.00	860XTY	K9469DA	77.00	770XDS
K9203D050	86.50	865XTY	K9190D050	85.50	855XSY	K9199D050	86.50	865XTY	K9469D050	77.50	775XDS
K9203D100	87.00	870XTY				K9199D100	87.00	870XTY			

Stroke (mm)	86.00	88.00	86.00	85.80
Wössner comp. ratio	8.0:1	12.5:1	8.5:1	10.5:1
OE comp. ratio	10.8:1	11.0:1	8.5:1	10.5:1
Dome volume (cm ³)	-	+6.5	-	-0.6
Comp. height (mm)	34.00	29.50	40.00	28.50
Valves per cylinder	4	4	2	4
Cylinder no.	4	4	4	4
Piston weight (g)	345.00	336.00	387.00	273.00
Clip part no.	CW22	CW21	CW22	CW20
Pin part no.	WP046	WP034	WP017	WP068
Rod length (mm)	158.00	139.00	152.00	-
Price code	A4.3	A4.3	A4.2	A4.6
Top end gasket kit	see gasket list 100 - 134	-	-	-
Wössner connect. rods	-	KPL033	KPL028	-

Ferrari®



Alle Angaben zum Verdichtungsverhältnis, Domvolumen und Kolbengewicht beziehen sich nur auf unser Standardmaß DA.

All information on compression ratio, dome volume and piston weight is valid for our standard size DA only.

Model	246GT / GTS / Dino	250GT / 250GTE / 250GT6	275GTB-4
Years	69-74	54-56	64-66
Engine typ	-	-	-
Displ. (cm ³)	2418	2963	3295

Piston kit part no.	Bore size (mm)	Ring set part no.	Piston kit part no.	Bore size (mm)	Ring set part no.	Piston kit part no.	Bore size (mm)	Ring set part no.
K9101D050	93.00	930XSY	K9001DA	73.00	730XDS	K9003DA	77.00	770XDS
K9101D100	93.50	935XSY	K9001D050	73.50	735XDS	K9003D050	77.50	775XDS
			K9001D100	74.00	740XDS	K9003D100	78.00	780XDS

Stroke (mm)	60.00	59.00	58.80
Wössner comp. ratio	10.0:1	10.0:1	10.5:1
OE comp. ratio	9.0:1	9.0:1	9.2:1
Dome volume (cm ³)	-	-	-
Comp. height (mm)	30.00	28.70	28.00
Valves per cylinder	2	2	2
Cylinder no.	6	12	12
Piston weight (g)	302.00	230.00	260.00
Clip part no.	CW20	CW17	CW17
Pin part no.	WP052	WP090	WP090
Rod length (mm)	117.92	112.00	112.00
Price code	A6.1	A12.2	A12.1
Top end gasket kit	-	-	-
Wössner connect. rods	-	KPL039	KPL039

Ferrari®



Alle Angaben zum Verdichtungsverhältnis, Domvolumen und Kolbengewicht beziehen sich nur auf unser Standardmaß DA.

All information on compression ratio, dome volume and piston weight is valid for our standard size DA only.

Model	365GTB-4 / 365BB / Daytona	330GTC / 330GTS / 330GT	308 GT4 / 308GTB / 208 GT4 / 208GTB
Years	66-84	63-68	73-85
Engine typ	-	-	F106A
Displ. (cm³)	4442	3967	2961

Piston kit part no.	Bore size (mm)	Ring set part no.	Piston kit part no.	Bore size (mm)	Ring set part no.	Piston kit part no.	Bore size (mm)	Ring set part no.
K9004D050-12	81.50	815XSY	K9002DA	77.00	770XDS	K9004D050	81.50	815XSY
K9004D100-12	82.00	820XSY	K9002D050	77.50	775XDS	K9004D100	82.00	820XSY

Stroke (mm)	71.00	71.00	71.00
Wössner comp. ratio	10.5:1	8.8:1	10.5:1
OE comp. ratio	9.3:1	8.8:1	8.8:1
Dome volume (cm³)	-	-	-
Comp. height (mm)	30.80	29.50	30.80
Valves per cylinder	2	2	2
Cylinder no.	12	12	8
Piston weight (g)	306.00	285.00	306.00
Clip part no.	CW19	CW19	CW19
Pin part no.	WP084	WP084	WP084
Rod length (mm)	137.00	137.00	137.00
Price code	A12.1	DA = A12.2 D050 = A12.1	D050 = A8.1 D100 = A8.2
Top end gasket kit	-	-	see gasket list 100 - 134
Wössner connect. rods	-	-	-

Fiat®



Alle Angaben zum Verdichtungsverhältnis, Domvolumen und Kolbengewicht beziehen sich nur auf unser Standardmaß DA.

All information on compression ratio, dome volume and piston weight is valid for our standard size DA only.

¹ Ringe müssen gekürzt werden
Rings need to be shortened

Model	Punto / Uno Turbo "old " 90-92	Punto / Uno Turbo	Ritmo / Punto / Brava / Scudo / Tempra / Tipo	Punto 1.6 8V Turbo Stroker Kit
Years	90-92	93-99	90-00	90-00
Engine typ	146A	176A4000	159A3000	159A
Displ. (cm ³)	1372	1372	1580	1877

Piston kit part no.	Bore size (mm)	Ring set part no.	Piston kit part no.	Bore size (mm)	Ring set part no.	Piston kit part no.	Bore size (mm)	Ring set part no.	Piston kit part no.	Bore size (mm)	Ring set part no.
K9047D050	81.00	810XTY	K9048DA	80.50	805XTZ	K9049DA	86.40	¹ 865XTY	K9408D060	87.00	870XSY
K9047D100	81.50	815XTY	K9048D050	81.00	810XTY	K9049D060	87.00	870XTY			
			K9048D100	81.50	815XTY	K9049D110	87.50	875XTY			

Stroke (mm)	67.40	67.40	67.40	79.00
Wössner comp. ratio	7.8:1	7.8:1	9.2:1	8.5:1
OE comp. ratio	7.8:1	7.8:1	9.2:1	9.2:1
Dome volume (cm ³)	-6.5	-3.9	-4.8	-19.0
Comp. height (mm)	33.30	34.10	33.30	27.50
Valves per cylinder	2	2	2	2
Cylinder no.	4	4	4	4
Piston weight (g)	294.00	302.00	332.00	275.00
Clip part no.	CW22	CW22	CW22	CW22
Pin part no.	WP017	WP017	WP017	WP017
Rod length (mm)	128.52	128.52	128.52	128.52
Price code	A4.3	A4.3	A4.3	A4.3
Top end gasket kit	-	-	-	-
Wössner connect. rods	-	-	-	-

Fiat®



Alle Angaben zum Verdichtungsverhältnis, Domvolumen und Kolbengewicht beziehen sich nur auf unser Standardmaß DA.

All information on compression ratio, dome volume and piston weight is valid for our standard size DA only.

Model	Coupe 2.0Ltr. 20V Turbo (220PS)	500/Abarth
Years	-	-
Engine typ	175A	-
Displ. (cm ³)	1998	1368

Piston kit part no.	Bore size (mm)	Ring set part no.	Piston kit part no.	Bore size (mm)	Ring set part no.
K9212DA	82.00	820XTY	K9470DA	72.00	720XDS
K9212D050	82.50	825XTY	K9470D050	72.50	725XDS
K9212D100	83.00	830XTY	K9470D100	73.00	730XDS

Stroke (mm)	75.65	84.00
Wössner comp. ratio	8.0:1	9.8:1
OE comp. ratio	8.5:1	9.8:1
Dome volume (cm ³)	-8.8	-20.9
Comp. height (mm)	32.80	26.80
Valves per cylinder	4	4
Cylinder no.	5	4
Piston weight (g)	312.00	189.00
Clip part no.	CW22	CW18
Pin part no.	WP017	WP064
Rod length (mm)	-	-
Price code	A5.2	A4.1
Top end gasket kit	-	-
Wössner connect. rods	-	-

Ford®



Alle Angaben zum Verdichtungsverhältnis, Domvolumen und Kolbengewicht beziehen sich nur auf unser Standardmaß DA.

All information on compression ratio, dome volume and piston weight is valid for our standard size DA only.

Model	Sierra / Cosworth	Sierra 4x4 / Escort / Cosworth	Cosworth 2.0Ltr. 16V Non Turbo	Cosworth 2.0Ltr. 16V Non Turbo Long Rod
Years	-	-	-	-
Engine typ	N5B	N5B	N5B	N5B
Displ. (cm ³)	1995	1995	1995	1995

Piston kit part no.	Bore size (mm)	Ring set part no.	Piston kit part no.	Bore size (mm)	Ring set part no.	Piston kit part no.	Bore size (mm)	Ring set part no.	Piston kit part no.	Bore size (mm)	Ring set part no.
K9027D020	91.00	910XTY	K9009D020	91.00	910XTY	K9217D020	91.00	910XSY	K9393D070	91.50	915XSY
K9027D045	91.25	912XTY	K9009D045	91.25	912XTY	K9217D045	91.25	912XSY	K9393D170	92.50	925XSY
K9027D070	91.50	915XTY	K9009D070	91.50	915XTY	K9217D070	91.50	915XSY	K9393D220	93.00	930XSY
K9027D095	91.75	917XTY	K9009D095	91.75	917XTY	K9217D120	92.00	920XSY			
K9027D120	92.00	920XTY	K9009D120	92.00	920XTY	K9217D220	93.00	930XSY			
K9027D170	92.50	925XTY	K9009D170	92.50	925XTY						
			K9009D220	93.00	930XTY						

Stroke (mm)	77.00	77.00	77.00	77.00
Wössner comp. ratio	8.0:1	8.0:1	12.5:1	12.5:1
OE comp. ratio	8.0:1	8.0:1	8.0:1	8.0:1
Dome volume (cm ³)	-17.5	-20.1	+11.6	+11.6
Comp. height (mm)	40.75	40.75	40.50	33.00
Valves per cylinder	4	4	4	4
Cylinder no.	4	4	4	4
Piston weight (g)	424.00	434.00	399.00	372.00
Clip part no.	CW24	CW24	CW24	CW24
Pin part no.	WP022	WP022	WP057	WP057
Rod length (mm)	128.50	128.50	128.50	136.00
Price code	A4.3	A4.3	A4.3	A4.3
Top end gasket kit	see gasket list 100 - 134	see gasket list 100 - 134	see gasket list 100 - 134	see gasket list 100 - 134
Wössner connect. rods	KPL027-I	KPL027-I	KPL027-I	-

Ford®



Alle Angaben zum Verdichtungsverhältnis, Domvolumen und Kolbengewicht beziehen sich nur auf unser Standardmaß DA.

All information on compression ratio, dome volume and piston weight is valid for our standard size DA only.

¹ Ringe müssen gekürzt werden
Rings need to be shortened

Neu!

Model	Pinto 2.0Ltr. 8V OHC (Non Turbo)	Pinto 2.0Ltr. 8V OHC Long Rod	Crossflow	1,6 l Turbo Eco-Boost
Years	-	-	-	-
Engine typ	-	-	-	-
Displ. (cm ³)	1995	1995	1659	1595

Piston kit part no.	Bore size (mm)	Ring set part no.	Piston kit part no.	Bore size (mm)	Ring set part no.	Piston kit part no.	Bore size (mm)	Ring set part no.	Piston kit part no.	Bore size (mm)	Ring set part no.
K9232D010	90.90	¹ 910XSY	K9392D010	90.90	¹ 910XSY	K9390D150	82.50	825XSY	K9484DA	79.00	790XTZ
K9232D020	91.00	910XSY	K9392D020	91.00	910XSY	K9390D250	83.50	835XSY			
K9232D045	91.25	912XSY	K9392D045	91.25	912XSY						
K9232D070	91.50	915XSY	K9392D070	91.50	915XSY						
K9232D120	92.00	920XSY	K9392D120	92.00	920XSY						
K9232D170	92.50	925XSY	K9392D170	92.50	925XSY						
K9232D220	93.00	930XSY	K9392D220	93.00	930XSY						

Stroke (mm)	77.00	77.00	77.60	81.40
Wössner comp. ratio	12.0:1	12.0:1	12.0:1	10.0:1
OE comp. ratio	9.2:1	9.2:1	-	10.0:1
Dome volume (cm ³)	-	-	-30.0	-7.1
Comp. height (mm)	41.65	34.15	44.60	28.65
Valves per cylinder	2	2	2	4
Cylinder no.	4	4	4	4
Piston weight (g)	414.00	373.00	327.00	282.00
Clip part no.	CW24	CW24	CW21 (20.63)	CW21
Pin part no.	WP057	WP057	WP095	WP034
Rod length (mm)	128.50	136.00	125.12	134.00
Price code	A4.5	A4.3	A4.3	A4.2
Top end gasket kit	see gasket list 100 - 134	see gasket list 100 - 134	see gasket list 100 - 134	see gasket list 100 - 134
Wössner connect. rods	KPL027-I	-	-	-

Ford®



Alle Angaben zum Verdichtungsverhältnis, Domvolumen und Kolbengewicht beziehen sich nur auf unser Standardmaß DA.

All information on compression ratio, dome volume and piston weight is valid for our standard size DA only.

¹ Ringe müssen gekürzt werden
Rings need to be shortened

Neu!

Model	2.0L Eco Boost	Escort / Fiesta RS Turbo	Crossflow	Escort / Orion / Fiesta MK3 / Mondeo / Cougar / Focus RS / Zetec-E / ZVH / CVH 2.0 16V Turbo
Years	13	-	-	until 98
Engine typ	GTDI	CVH	-	NGA
Displ. (cm ³)	1998	1597	1659	1998

Piston kit part no.	Bore size (mm)	Ring set part no.	Piston kit part no.	Bore size (mm)	Ring set part no.	Piston kit part no.	Bore size (mm)	Ring set part no.	Piston kit part no.	Bore size (mm)	Ring set part no.
K9486DA	87.50	875XTY	K9216DA	80.00	800XTZ	K9390D150	82.50	825XSX	K9198DA	84.80	¹ 850XTY
			K9216D050	80.50	805XTZ	K9390D250	83.50	835XSX	K9198D070	85.50	855XTY
			K9216D100	81.00	810XTY				K9198D120	86.00	860XTY

Stroke (mm)	83.10	79.52	77.60	88.00
Wössner comp. ratio	9.3:1	7.5:1	12.0:1	8.0:1
OE comp. ratio	9.3:1	8.3:1	-	10.0:1
Dome volume (cm ³)	-6.8	-0.2	-30.0	-15.3
Comp. height (mm)	32.75	38.80	44.60	32.00
Valves per cylinder	4	2	2	4
Cylinder no.	4	4	4	4
Piston weight (g)	346.35	338.00	327.00	340.00
Clip part no.	CW23	CW21 (20.63)	CW21 (20.63)	CW21 (20.63)
Pin part no.	WP120	WP095	WP095	WP095
Rod length (mm)	155.75	132.00	125.12	136.18
Price code	A4.6	A4.3	A4.3	A4.2
Top end gasket kit	see gasket list 100 - 134	-	see gasket list 100 - 134	see gasket list 100 - 134
Wössner connect. rods	-	-	-	-

Ford®



Alle Angaben zum Verdichtungsverhältnis, Domvolumen und Kolbengewicht beziehen sich nur auf unser Standardmaß DA.

All information on compression ratio, dome volume and piston weight is valid for our standard size DA only.

¹ Ringe müssen gekürzt werden
Rings need to be shortened

Neu!

Model	Escort / Orion/ Fiesta MK3 / Mondeo / Cougar / Focus 2.0 16V Zetec-E	Escort / Orion / Fiesta MK3 / Mondeo / Cougar / Focus / Zetec-E 2.0 16V	Focus RS Serie1 Turbo	Focus / Mondeo / Duratec HE 2.0Ltr. 16V
Years	until 98	-	02	-
Engine typ	NGA	NGA	-	CJBA
Displ. (cm ³)	1998	1998	1989	1999

Piston kit part no.	Bore size (mm)	Ring set part no.	Piston kit part no.	Bore size (mm)	Ring set part no.	Piston kit part no.	Bore size (mm)	Ring set part no.	Piston kit part no.	Bore size (mm)	Ring set part no.
K9066DA	84.80	848XSX	K9394DA	84.80	848XSX	K9483DA	84.80	848XTY	K9220DA	87.50	875XSX
K9066D070	85.50	855XSX	K9394D070	85.50	855XSX	K9483D020	85.00	850XTY	K9220D050	88.00	880XSX
K9066D120	86.00	860XSX	K9394D120	86.00	860XSX	K9483D070	85.50	855XTY	K9220D100	88.50	885XSX
						K9483D120	86.00	860XTY			

Stroke (mm)	88.00	88.00	88.00	83.10
Wössner comp. ratio	12.0:1	12.0:1	8.0:1	12.5:1
OE comp. ratio	10.0:1	10.0:1	8.0:1	10.8:1
Dome volume (cm ³)	+10.6	+10.6	-20.1	+5.3
Comp. height (mm)	33.00	28.00	32.00	28.65
Valves per cylinder	4	4	4	4
Cylinder no.	4	4	4	4
Piston weight (g)	341.00	314.00	315.00	345.00
Clip part no.	CW21 (20.63)	CW21 (20.63)	CW22	CW21
Pin part no.	WP095	WP095	WP046	WP034
Rod length (mm)	136.18	140.80	-	146.25
Price code	A4.3	A4.3	A4.3	A4.3
Top end gasket kit	see gasket list 100 - 134	see gasket list 100 - 134	see gasket list 100 - 134	see gasket list 100 - 134
Wössner connect. rods	-	-	-	-

Ford®



Alle Angaben zum Verdichtungsverhältnis, Domvolumen und Kolbengewicht beziehen sich nur auf unser Standardmaß DA.

All information on compression ratio, dome volume and piston weight is valid for our standard size DA only.

Model	Focus / Mondeo / Duratec HE 2.0Ltr. 16V Turbo	Focus / Mondeo / Duratec 2.3Ltr. 16V	Focus ST 2.5Ltr. 20V Turbo
Years	-	-	-
Engine typ	CJBA	CJBA	HYDA / HUWA
Displ. (cm ³)	1999	2259	2522

Piston kit part no.	Bore size (mm)	Ring set part no.	Piston kit part no.	Bore size (mm)	Ring set part no.	Piston kit part no.	Bore size (mm)	Ring set part no.
K9272DA	87.50	875XTY	K9282D010	87.50	875XSY	K9276DA	83.00	830XTY
			K9282D060	88.00	880XSY	K9276D050	83.50	835XTY
			K9282D110	88.50	885XSY	K9276D100	84.00	840XTY
			K9282D160	89.00	890XSY			

Stroke (mm)	83.10	94.00	93.20
Wössner comp. ratio	8.5:1	14.1:1	8.5:1
OE comp. ratio	10.8:1	10.4:1	9.0:1
Dome volume (cm ³)	-17.8	+5.0	-
Comp. height (mm)	28.00	28.65	28.40
Valves per cylinder	4	4	4
Cylinder no.	4	4	5
Piston weight (g)	309.00	335.00	290.00
Clip part no.	CW21	CW21	CW21
Pin part no.	WP092	WP034	WP092
Rod length (mm)	146.25	154.78	145.00
Price code	A4.3	A4.3	A5.2
Top end gasket kit	-	-	-
Wössner connect. rods	-	-	-

Honda®



Alle Angaben zum Verdichtungsverhältnis, Domvolumen und Kolbengewicht beziehen sich nur auf unser Standardmaß DA.

All information on compression ratio, dome volume and piston weight is valid for our standard size DA only.

³ Motoren und Kolben sind identisch. Durch unterschiedliche Brennräume entstehen abweichende Verdichtungsverhältnisse
Engines and pistons are identical. Different combustion chambers produce divergent compression ratios.

Model	Civic SI / Del Sol	Civic SI / Civic Del Sol Turbo	³ Civic 1.6Ltr V-Tec (158PS)	Civic 1.6Ltr V-Tec Turbo (158PS)
Years	99-00 / 93-97	99-00 / 93-97	-	-
Engine typ	B16A1 / B16A2 / B16A3	B16A1 / B16A2 / B16A3	B16A	B16A
Displ. (cm ³)	1594	1594	1595	1595

Piston kit part no.	Bore size (mm)	Ring set part no.	Piston kit part no.	Bore size (mm)	Ring set part no.	Piston kit part no.	Bore size (mm)	Ring set part no.	Piston kit part no.	Bore size (mm)	Ring set part no.
K9087DA	81.00	810XSY	K9434DA	81.00	810XTY	K9070DA	81.00	810XSY	K9425DA	81.00	810XTY
K9087D050	81.50	815XSY	K9434D050	81.50	815XTY	K9070D050	81.50	815XSY	K9425D050	81.50	815XTY
			K9434D100	82.00	820XTY				K9425D100	82.00	820XTY

Stroke (mm)	77.40	77.40	77.40	77.40
Wössner comp. ratio	11.5:1	9.0:1	11.5:1	9.0:1
OE comp. ratio	10.2:1	10.2:1	10.2:1	10.2:1
Dome volume (cm ³)	+8.5	-3.5	+4.9	-2.7
Comp. height (mm)	29.90	29.90	30.10	29.85
Valves per cylinder	4	4	4	4
Cylinder no.	4	4	4	4
Piston weight (g)	302.00	294.00	288.00	280.00
Clip part no.	CW21	CW21	CW21	CW21
Pin part no.	WP051	WP092	WP013	WP034
Rod length (mm)	134.00	134.00	134.40	134.40
Price code	A4.3	A4.3	A4.2	A4.3
Top end gasket kit	see gasket list 100 - 134	see gasket list 100 - 134	see gasket list 100 - 134	see gasket list 100 - 134
Wössner connect. rods	-	-	-	-

Honda®

Alle Angaben zum Verdichtungsverhältnis, Domvolumen und Kolbengewicht beziehen sich nur auf unser Standardmaß DA.

All information on compression ratio, dome volume and piston weight is valid for our standard size DA only.

³ Motoren und Kolben sind identisch. Durch unterschiedliche Brennräume entstehen abweichende Verdichtungsverhältnisse

Engines and pistons are identical. Different combustion chambers produce divergent compression ratios.

Model	Civic EX / CivicSI / Del Sol	Civic EX / Civic SI / Del Sol Turbo	Civic EX / Coupe ISR / Civic Del Sol V-Tec SOHC Turbo	³ Integra GSR
Years	92-95 / 93-95	92-95 / 93-95	96-98	92-93
Engine typ	D16Z6 / D16Z7 / D16Z9	D16Z6 / D16Z7 / D16Z9	D16Y8	B17A1
Displ. (cm ³)	1590	1590	1590	1677

Piston kit part no.	Bore size (mm)	Ring set part no.	Piston kit part no.	Bore size (mm)	Ring set part no.	Piston kit part no.	Bore size (mm)	Ring set part no.	Piston kit part no.	Bore size (mm)	Ring set part no.
K9267DA	75.00	750XDS	K9426DA	75.00	750XTZ	K9427DA	75.00	750XTZ	K9070DA	81.00	810XSY
K9267D050	75.50	755XDS	K9426D050	75.50	755XTZ	K9427D050	75.50	755XTZ	K9070D050	81.50	815XSY
K9267D100	76.00	760XDS	K9426D100	76.00	760XTZ	K9427D100	76.00	760XTZ			
K9267D150	76.50	765XDS	K9426D150	76.50	765XTZ						

Stroke (mm)	90.00	90.00	90.00	81.40
Wössner comp. ratio	11.5:1	9.0:1	9.0:1	11.2:1
OE comp. ratio	9.4:1	9.4:1	9.6:1	9.4:1
Dome volume (cm ³)	+0.7	-11.0	-11.8	+4.9
Comp. height (mm)	29.80	29.80	29.30	30.10
Valves per cylinder	2	4	4	4
Cylinder no.	4	4	4	4
Piston weight (g)	283.00	257.00	257.00	288.00
Clip part no.	CW19	CW19	CW19	CW21
Pin part no.	WP050	WP037	WP037	WP013
Rod length (mm)	137.00	137.00	137.00	132.28
Price code	A4.3	A4.3	A4.2	A4.2
Top end gasket kit	see gasket list 100 - 134	see gasket list 100 - 134	see gasket list 100 - 134	see gasket list 100 - 134
Wössner connect. rods	-	-	-	-

Honda®



Alle Angaben zum Verdichtungsverhältnis, Domvolumen und Kolbengewicht beziehen sich nur auf unser Standardmaß DA.

All information on compression ratio, dome volume and piston weight is valid for our standard size DA only.

³ Motoren und Kolben sind identisch. Durch unterschiedliche Brennräume entstehen abweichende Verdichtungsverhältnisse
Engines and pistons are identical. Different combustion chambers produce divergent compression ratios.

Model	Integra GSR Turbo	Integra TypR 1.8Ltr. V-Tec Turbo	Civic 1.8Ltr. 16V VTI Turbo	³ Civic 1.8Ltr. 16V VTI (170PS)
Years	92-93	97-00	-	-
Engine typ	B17A1	B18C5 / B18C6	B18C4	B18C
Displ. (cm ³)	1677	1792	1797	1797

Piston kit part no.	Bore size (mm)	Ring set part no.	Piston kit part no.	Bore size (mm)	Ring set part no.	Piston kit part no.	Bore size (mm)	Ring set part no.	Piston kit part no.	Bore size (mm)	Ring set part no.
K9428DA	81.00	810XTY	K9210DA	81.00	810XTY	K9165D050	81.50	815XTY	K9070DA	81.00	810XSY
K9428D050	81.50	815XTY	K9210D050	81.50	815XTY				K9070D050	81.50	815XSY
K9428D100	82.00	820XTY									

Stroke (mm)	81.40	87.00	87.20	87.20
Wössner comp. ratio	9.0:1	9.0:1	9.0:1	12.2:1
OE comp. ratio	9.4:1	10.6:1	10.0:1	10.0:1
Dome volume (cm ³)	-6.3	-6.5	-11.8	+4.9
Comp. height (mm)	30.00	30.00	30.10	30.00
Valves per cylinder	4	4	4	4
Cylinder no.	4	4	4	4
Piston weight (g)	274.00	292.00	294.00	288.00
Clip part no.	CW21	CW21	CW21	CW21
Pin part no.	WP034	WP092	WP092	WP013
Rod length (mm)	132.28	137.00	138.00	138.00
Price code	A4.3	A4.3	A4.3	A4.2
Top end gasket kit	see gasket list 100 - 134	see gasket list 100 - 134	see gasket list 100 - 134	see gasket list 100 - 134
Wössner connect. rods	-	-	-	-

Honda®



Alle Angaben zum Verdichtungsverhältnis, Domvolumen und Kolbengewicht beziehen sich nur auf unser Standardmaß DA.

All information on compression ratio, dome volume and piston weight is valid for our standard size DA only.

Model	S2000	S2000 Turbo	RSX Type S / Civic Typ R	RSX Type S / Civic Typ R Turbo
Years	00-03	00-03	02-current / 01-07	02-current / 01-07
Engine typ	F20C / F20C1	F20C / F20C1	K20A2 / K20A3	K20A2 / K20A3
Displ. (cm ³)	1997	1997	1997	1997

Piston kit part no.	Bore size (mm)	Ring set part no.	Piston kit part no.	Bore size (mm)	Ring set part no.	Piston kit part no.	Bore size (mm)	Ring set part no.	Piston kit part no.	Bore size (mm)	Ring set part no.
K9208DA	87.00	870XSY	K9435DA	87.00	870XTY	K9088DA	86.00	860XSY	K9244D100	87.00	870XTY
K9208D050	87.50	875XSY				K9088D050	86.50	865XSY			
K9208D100	88.00	880XSY				K9088D100	87.00	870XSY			

Stroke (mm)	84.00	84.00	86.00	86.00
Wössner comp. ratio	11.7:1	9.0:1	12.0:1	9.0:1
OE comp. ratio	11.0:1	11.0:1	11.0:1	11.0:1
Dome volume (cm ³)	+9.4	-9.4	+9.0	-7.6
Comp. height (mm)	30.00	30.00	30.00	30.00
Valves per cylinder	4	4	4	4
Cylinder no.	4	4	4	4
Piston weight (g)	336.00	298.00	318.00	310.00
Clip part no.	CW23	CW23	CW22	CW22
Pin part no.	WP024	WP024	WP017	WP046
Rod length (mm)	153.00	153.00	139.00	139.00
Price code	A4.3	A4.3	A4.3	A4.3
Top end gasket kit	see gasket list 100 - 134	see gasket list 100 - 134	see gasket list 100 - 134	see gasket list 100 - 134
Wössner connect. rods	-	-	-	-

Honda®



Alle Angaben zum Verdichtungsverhältnis, Domvolumen und Kolbengewicht beziehen sich nur auf unser Standardmaß DA.

All information on compression ratio, dome volume and piston weight is valid for our standard size DA only.

Model	CR-V Turbo	Prelude SI / Prelude Turbo	Prelude SI / Prelude	CRX / V-Tec 1.6 16V
Years	97-98	92-96 / 97-01	92-96 / 97-01	87-92
Engine typ	B20B3	H22A1 / H22A4	H22A1 / H22A4	ED9 / EE8
Displ. (cm ³)	1971	2155	2155	1610

Piston kit part no.	Bore size (mm)	Ring set part no.	Piston kit part no.	Bore size (mm)	Ring set part no.	Piston kit part no.	Bore size (mm)	Ring set part no.	Piston kit part no.	Bore size (mm)	Ring set part no.
K9437DA	84.00	840XTY	K9157DA	87.00	870XTY	K9158DA	87.00	870XSY	K9206D100	76.00	760XDS
			K9157D100	88.00	880XTY	K9158D100	88.00	880XSY			
			K9157D200	89.00	890XTY	K9158D200	89.00	890XSY			

Stroke (mm)	89.00	90.70	90.70	90.00
Wössner comp. ratio	9.0:1	8.0:1	11.6:1	11.6:1
OE comp. ratio	8.8:1	9.0:1	9.0:1	10.5:1
Dome volume (cm ³)	-10.0	-	-	+9.8
Comp. height (mm)	30.00	31.00	31.00	29.20
Valves per cylinder	4	4	4	4
Cylinder no.	4	4	4	4
Piston weight (g)	306.00	-	-	283.00
Clip part no.	CW21	CW22	CW22	CW19
Pin part no.	WP092	-	-	WP050
Rod length (mm)	137.00	143.00	143.00	-
Price code	A4.3	A4.3	A4.3	A4.3
Top end gasket kit	see gasket list 100 - 134	see gasket list 100 - 134	see gasket list 100 - 134	see gasket list 100 - 134
Wössner connect. rods	-	-	-	-

Lancia®



Alle Angaben zum Verdichtungsverhältnis, Domvolumen und Kolbengewicht beziehen sich nur auf unser Standardmaß DA.

All information on compression ratio, dome volume and piston weight is valid for our standard size DA only.

Model	Delta Integrale 2.0Ltr. Turbo 8V	Delta Integrale 2.0Ltr. Turbo 16V	Stratos
Years	-	-	69-74
Engine typ	835	836	-
Displ. (cm ³)	1995	1995	2418

Piston kit part no.	Bore size (mm)	Ring set part no.	Piston kit part no.	Bore size (mm)	Ring set part no.	Piston kit part no.	Bore size (mm)	Ring set part no.
K9010DA	84.00	840XTY	K9011DA	84.00	840XTY	K9101DA	92.50	925XSY
K9010D020	84.20	842XTY	K9011D020	84.20	842XTY	K9101D050	93.00	930XSY
K9010D040	84.40	844XTY	K9011D040	84.40	844XTY	K9101D100	93.50	935XSY
K9010D060	84.60	846XTY	K9011D060	84.60	846XTY			
K9010D080	84.80	848XTY	K9011D080	84.80	848XTY			
			K9011D100	85.00	850XTY			

Stroke (mm)	90.00	90.00	60.00
Wössner comp. ratio	8.0:1	8.0:1	10.0:1
OE comp. ratio	8.0:1	8.0:1	9.0:1
Dome volume (cm ³)	-17.5	-8.5	-
Comp. height (mm)	39.65	39.65	30.00
Valves per cylinder	2	4	2
Cylinder no.	4	4	6
Piston weight (g)	331.00	346.00	302.00
Clip part no.	CW22	CW22	CW20
Pin part no.	WP046	WP046	WP052
Rod length (mm)	145.00	145.00	117.92
Price code	A4.3	A4.3	A6.1
Top end gasket kit	see gasket list 100 - 134	see gasket list 100 - 134	see gasket list 100 - 134
Wössner connect. rods	KPL001	KPL001	-

Mazda®



Alle Angaben zum Verdichtungsverhältnis, Domvolumen und Kolbengewicht beziehen sich nur auf unser Standardmaß DA.

All information on compression ratio, dome volume and piston weight is valid for our standard size DA only.

Model	Miata / MX-5 1.6Ltr. 16V	Miata / MX-5 1.6Ltr.16V Turbo	Miata / MX-5 1.8Ltr.16V	Miata / MX-5 1.8Ltr.16V Turbo
Years	-	-	94-05	94-05
Engine typ	ABK / NA	ABK / NA	BP / NB	BP / NB
Displ. (cm ³)	1615	1615	1860	1860

Piston kit part no.	Bore size (mm)	Ring set part no.	Piston kit part no.	Bore size (mm)	Ring set part no.	Piston kit part no.	Bore size (mm)	Ring set part no.	Piston kit part no.	Bore size (mm)	Ring set part no.
K9079D050	78.50	785XDS	K9438D100	79.00	790XTZ	K9078D150	84.50	845XSY	K9436D100	84.00	840XTY
K9079D150	79.50	795XDS				K9078D200	85.00	850XSY	K9436D150	84.50	845XTY

Stroke (mm)	83.50	83.50	85.00	85.00
Wössner comp. ratio	11.0:1	9.0:1	12.0:1	9.0:1
OE comp. ratio	9.4:1	9.4:1	11.0:1	11.0:1
Dome volume (cm ³)	+5.3	-5.0	+7.0	-0.3
Comp. height (mm)	32.40	32.40	31.20	31.20
Valves per cylinder	4	4	4	4
Cylinder no.	4	4	4	4
Piston weight (g)	305.00	282.00	326.00	318.00
Clip part no.	CW20	CW20	CW20	CW20
Pin part no.	WP038	WP052	WP052	WP052
Rod length (mm)	133.00	133.00	133.00	133.00
Price code	A4.3	A4.3	A4.3	A4.3
Top end gasket kit	see gasket list 100 - 134	see gasket list 100 - 134	see gasket list 100 - 134	see gasket list 100 - 134
Wössner connect. rods	-	-	-	-

Mazda®



Alle Angaben zum Verdichtungsverhältnis, Domvolumen und Kolbengewicht beziehen sich nur auf unser Standardmaß DA.

All information on compression ratio, dome volume and piston weight is valid for our standard size DA only.

Model	Miata / MX-5 2.0Ltr. 16V Turbo
Years	-
Engine typ	MRZ14 / NC
Displ. (cm³)	1999

Piston kit part no.	Bore size (mm)	Ring set part no.
K9439DA	87.50	875XTY
K9439D050	88.00	880XTY
K9439D100	88.50	885XTY

Stroke (mm)	83.10
Wössner comp. ratio	9.0:1
OE comp. ratio	10.8:1
Dome volume (cm³)	-12.1
Comp. height (mm)	28.40
Valves per cylinder	4
Cylinder no.	4
Piston weight (g)	325.00
Clip part no.	CW21
Pin part no.	WP034
Rod length (mm)	146.25
Price code	A4.2
Top end gasket kit	see gasket list 100 - 134
Wössner connect. rods	-

MG®



Alle Angaben zum Verdichtungsverhältnis, Domvolumen und Kolbengewicht beziehen sich nur auf unser Standardmaß DA.

All information on compression ratio, dome volume and piston weight is valid for our standard size DA only.

Model	ZR 1.4Ltr. 16V	ZR / ZS / ZT / F / TF 1.8Ltr. 16V
Years	-	-
Engine typ	14K4F	18K4F
Displ. (cm³)	1395	1796

Piston kit part no.	Bore size (mm)	Ring set part no.	Piston kit part no.	Bore size (mm)	Ring set part no.
K9221DA	75.00	750XDS	K9222DA	80.00	800XDS
			K9222D050	80.50	805XDS
			K9222D100	81.00	810XSY

Stroke (mm)	79.00	89.30
Wössner comp. ratio	12.5:1	12.0:1
OE comp. ratio	10.3:1	10.5:1
Dome volume (cm³)	+10.7	+1.2
Comp. height (mm)	22.50	23.80
Valves per cylinder	4	4
Cylinder no.	4	4
Piston weight (g)	218.00	253.00
Clip part no.	CW18	CW18
Pin part no.	WP031	WP099
Rod length (mm)	139.40	133.10
Price code	A4.2	A4.3
Top end gasket kit	see gasket list 100 - 134	see gasket list 100 - 134
Wössner connect. rods	-	-

MiniCooper®



Alle Angaben zum Verdichtungsverhältnis, Domvolumen und Kolbengewicht beziehen sich nur auf unser Standardmaß DA.

All information on compression ratio, dome volume and piston weight is valid for our standard size DA only.

Model	3D rounded	
	Cooper S	Cooper S
Years	01-06	07-current
Engine typ	-	EP6
Displ. (cm ³)	1591	1597

Piston kit part no.	Bore size (mm)	Ring set part no.	Piston kit part no.	Bore size (mm)	Ring set part no.
K9123DA	77.00	770XTZ	K9469DA	77.00	770XDS
K9123D025	77.25	772XTZ	K9469D050	77.50	775XDS
K9123D050	77.50	775XTZ			

Stroke (mm)	85.50	85.80
Wössner comp. ratio	8.3:1	10.5:1
OE comp. ratio	8.3:1	10.5:1
Dome volume (cm ³)	-1.3	-0.6
Comp. height (mm)	26.50	28.50
Valves per cylinder	4	4
Cylinder no.	4	4
Piston weight (g)	236.00	273.00
Clip part no.	CW21	CW20
Pin part no.	WP051	WP068
Rod length (mm)	131.50	-
Price code	A4.1	A4.6
Top end gasket kit	see gasket list 100 - 134	see gasket list 100 - 134
Wössner connect. rods	-	-

Mitsubishi®



Alle Angaben zum Verdichtungsverhältnis, Domvolumen und Kolbengewicht beziehen sich nur auf unser Standardmaß DA.

All information on compression ratio, dome volume and piston weight is valid for our standard size DA only.

Model	Eclipse / Talon EVO 1-3	Eclipse / Talon EVO 1-3	Eclipse / Talon EVO 4-7	Eclipse / Talon EVO 4-7
Years	88-92	88-92	92-current	92-current
Engine typ	4G63	4G63	4G63	4G63
Displ. (cm ³)	1997	1997	1997	1997

Piston kit part no.	Bore size (mm)	Ring set part no.	Piston kit part no.	Bore size (mm)	Ring set part no.	Piston kit part no.	Bore size (mm)	Ring set part no.	Piston kit part no.	Bore size (mm)	Ring set part no.
K9063DA	85.00	850XTY	K9442D050	85.50	855XTY	K9062DA	85.00	850XTY	K9441DA	85.00	850XTY
K9063D050	85.50	855XTY				K9062D050	85.50	855XTY	K9441D050	85.50	855XTY
						K9062D100	86.00	860XTY	K9441D100	86.00	860XTY
						K9062D150	86.50	865XTY			

Stroke (mm)	88.00	88.00	88.00	88.00
Wössner comp. ratio	8.0:1	9.0:1	8.0:1	9.0:1
OE comp. ratio	8.5:1	8.5:1	8.8:1	8.8:1
Dome volume (cm ³)	-14.6	-5.7	-14.6	-5.7
Comp. height (mm)	34.70	34.70	34.70	34.70
Valves per cylinder	4	4	4	4
Cylinder no.	4	4	4	4
Piston weight (g)	335.00	335.00	344.00	344.00
Clip part no.	CW21	CW21	CW22	CW22
Pin part no.	WP092	WP092	WP046	WP046
Rod length (mm)	150.00	150.00	150.00	150.00
Price code	A4.3	A4.3	A4.3	A4.3
Top end gasket kit	see gasket list 100 - 134	see gasket list 100 - 134	see gasket list 100 - 134	see gasket list 100 - 134
Wössner connect. rods	-	-	KPL008	KPL008

Mitsubishi®



Alle Angaben zum Verdichtungsverhältnis, Domvolumen und Kolbengewicht beziehen sich nur auf unser Standardmaß DA.

All information on compression ratio, dome volume and piston weight is valid for our standard size DA only.

Model	Eclipse / Talon EVO 4-7 Stroker Kit	Eclipse / Talon EVO 4-7 Stroker Kit	EVO 8-9	EVO 8-9
Years	92-current	92-current	03-current	03-current
Engine typ	4G64	4G64	4G63	4G63
Displ. (cm ³)	2314	2314	1997	1997

Piston kit part no.	Bore size (mm)	Ring set part no.	Piston kit part no.	Bore size (mm)	Ring set part no.	Piston kit part no.	Bore size (mm)	Ring set part no.	Piston kit part no.	Bore size (mm)	Ring set part no.
K9251D100	86.00	860XTY	K9460D050	85.50	855XTY	K9125DA	85.00	850XTY	K9455DA	85.00	850XTY
			K9460D100	86.00	860XTY	K9125D050	85.50	855XTY	K9455D050	85.50	855XTY
						K9125D100	86.00	860XTY	K9455D100	86.00	860XTY

Stroke (mm)	100.00	100.00	88.00	88.00
Wössner comp. ratio	8.0:1	9.0:1	8.0:1	9.0:1
OE comp. ratio	8.8:1	8.8:1	8.8:1	8.8:1
Dome volume (cm ³)	-25.8	-16.0	-13.7	-5.2
Comp. height (mm)	28.70	28.70	34.30	34.30
Valves per cylinder	4	4	4	4
Cylinder no.	4	4	4	4
Piston weight (g)	286.00	301.00	320.00	320.00
Clip part no.	CW22	CW22	CW22	CW22
Pin part no.	WP046	WP046	WP046	WP046
Rod length (mm)	150.00	150.00	150.00	150.00
Price code	A4.3	A4.3	A4.3	A4.3
Top end gasket kit	see gasket list 100 - 134	see gasket list 100 - 134	see gasket list 100 - 134	see gasket list 100 - 134
Wössner connect. rods	KPL008	KPL008	KPL008	KPL008

Mitsubishi®

Alle Angaben zum Verdichtungsverhältnis, Domvolumen und Kolbengewicht beziehen sich nur auf unser Standardmaß DA.

All information on compression ratio, dome volume and piston weight is valid for our standard size DA only.

Model	EVO 8-9 Stroker Kit	EVO 10 RS	3000GT / GTO / VR4 Stealth
Years	03-current	07-current	91-99
Engine typ	4G64	4B11MIVEC	6G72TT
Displ. (cm ³)	2314	1997	2998

Piston kit part no.	Bore size (mm)	Ring set part no.	Piston kit part no.	Bore size (mm)	Ring set part no.	Piston kit part no.	Bore size (mm)	Ring set part no.
K9241DA	85.00	850XTY	K9279DA	86.00	860XTY	K9440D040	91.50	915XTY
			K9279D050	86.50	865XTY	K9440D090	92.00	920XTY
						K9440D140	92.50	925XTY

Stroke (mm)	100.00	86.00	76.00
Wössner comp. ratio	9.0:1	8.5:1	9.0:1
OE comp. ratio	8.8:1	9.0:1	8.0:1
Dome volume (cm ³)	-14.0	-8.9	-6.3
Comp. height (mm)	28.30	33.30	32.00
Valves per cylinder	4	4	4
Cylinder no.	4	4	6
Piston weight (g)	290.00	348.00	368.00
Clip part no.	CW22	CW23	CW22
Pin part no.	WP046	WP094	WP046
Rod length (mm)	150.00	140.75	140.90
Price code	A4.3	A4.3	A6.1
Top end gasket kit	see gasket list 100 - 134	see gasket list 100 - 134	see gasket list 100 - 134
Wössner connect. rods	-	KPL045	-

Nissan®



Alle Angaben zum Verdichtungsverhältnis, Domvolumen und Kolbengewicht beziehen sich nur auf unser Standardmaß DA.

All information on compression ratio, dome volume and piston weight is valid for our standard size DA only.

Model	Silvia / Bluebird 200SX Turbo (S13)	Silvia / Bluebird /200SX Turbo (S13)
Years	87-93	87-93
Engine typ	CA18DET	CA18DET
Displ. (cm ³)	1809	1809

Piston kit part no.	Bore size (mm)	Ring set part no.	Piston kit part no.	Bore size (mm)	Ring set part no.
K9197DA	83.00	830XTY	K9431D050	83.50	835XTY
K9197D050	83.50	835XTY	K9431D100	84.00	840XTY
K9197D100	84.00	840XTY			

Stroke (mm)	83.60	83.60
Wössner comp. ratio	8.0:1	9.0:1
OE comp. ratio	8.5:1	8.5:1
Dome volume (cm ³)	-4.4	+3.8
Comp. height (mm)	30.00	30.00
Valves per cylinder	4	4
Cylinder no.	4	4
Piston weight (g)	316.00	316.00
Clip part no.	CW20	CW20
Pin part no.	WP061	WP061
Rod length (mm)	133.00	133.00
Price code	A4.2	A4.3
Top end gasket kit	see gasket list 100 - 134	see gasket list 100 - 134
Wössner connect. rods	-	-

Nissan®

Alle Angaben zum Verdichtungsverhältnis, Domvolumen und Kolbengewicht beziehen sich nur auf unser Standardmaß DA.

All information on compression ratio, dome volume and piston weight is valid for our standard size DA only.

Model	Primera / Sentra / 200SX SE-R / Silvia / 180SX / 180Bluebird	Primera / Sentra / 200SX SE-R / Silvia / 180SX & Bluebird Turbo	Primera / Sentra / 200SX / 200SE-R / Silvia / 180SX / Bluebird Turbo	Primera / Sentra Turbo Stroker Kit
Years	-	-	-	91-94
Engine typ	SR20DE	SR20DET	SR20DET	SR20DET
Displ. (cm ³)	1998	1998	1998	2113

Piston kit part no.	Bore size (mm)	Ring set part no.	Piston kit part no.	Bore size (mm)	Ring set part no.	Piston kit part no.	Bore size (mm)	Ring set part no.	Piston kit part no.	Bore size (mm)	Ring set part no.
K9171DA	86.00	860XS	K9058DA	86.00	860XT	K9429DA	86.00	860XT	K9261DA	86.00	860XT
K9171D050	86.50	865XS	K9058D050	86.50	865XT	K9429D050	86.50	865XT	K9261D050	86.50	865XT
K9171D100	87.00	870XS	K9058D100	87.00	870XT						

Stroke (mm)	86.00	86.00	86.00	91.00
Wössner comp. ratio	10.7:1	8.0:1	9.0:1	8.0:1
OE comp. ratio	8.5:1	8.5:1	8.5:1	8.5:1
Dome volume (cm ³)	+3.4	-16.5	-7.6	-20.5
Comp. height (mm)	32.00	32.00	32.00	29.50
Valves per cylinder	4	4	4	4
Cylinder no.	4	4	4	4
Piston weight (g)	347.00	340.00	340.00	297.00
Clip part no.	CW22	CW22	CW22	CW22
Pin part no.	WP017	WP017	WP017	WP046
Rod length (mm)	136.25	136.25	136.25	136.25
Price code	A4.3	A4.3	A4.3	A4.3
Top end gasket kit	see gasket list 100 - 134	see gasket list 100 - 134	see gasket list 100 - 134	see gasket list 100 - 134
Wössner connect. rods	-	-	-	-

Nissan®



Alle Angaben zum Verdichtungsverhältnis, Domvolumen und Kolbengewicht beziehen sich nur auf unser Standardmaß DA.

All information on compression ratio, dome volume and piston weight is valid for our standard size DA only.

Model	R32-R34 Skyline	R32-R34 GTR Skyline (with Valve -pockets)	R32-R34 GTR Skyline Stroker (with Valve -pockets)	Skyline RB30 (with Valve -pockets)
Years	-	-	-	-
Engine typ	RB25DET	RB26DETT	RB26DETT	RB30DET
Displ. (cm ³)	2526	2542	2667	2960

Piston kit part no.	Bore size (mm)	Ring set part no.	Piston kit part no.	Bore size (mm)	Ring set part no.	Piston kit part no.	Bore size (mm)	Ring set part no.	Piston kit part no.	Bore size (mm)	Ring set part no.
K9172DA	86.00	860XTY	K9059DA	86.00	860XTY	K9262D050	86.50	865XTY	K9173D050	86.50	865XTY
K9172D050	86.50	865XTY	K9059D050	86.50	865XTY	K9262D100	87.00	870XTY			
K9172D100	87.00	870XTY	K9059D100	87.00	870XTY						

Stroke (mm)	71.70	73.70	77.70	85.00
Wössner comp. ratio	8.0:1	7.8:1	8.5:1	7.0:1
OE comp. ratio	8.5:1	8.5:1	8.5:1	7.0:1
Dome volume (cm ³)	+8.8	+12.6	+8.8	+5.5
Comp. height (mm)	31.50	30.00	28.50	31.10
Valves per cylinder	4	4	4	4
Cylinder no.	6	6	6	6
Piston weight (g)	376.00	358.00	362.00	354.00
Clip part no.	CW21	CW21	CW21	CW21
Pin part no.	WP092	WP092	WP092	WP034
Rod length (mm)	121.50	121.50	121.50	152.50
Price code	A6.1	A6.1	A6.1	A6.1
Top end gasket kit	see gasket list 100 - 134	see gasket list 100 - 134	see gasket list 100 - 134	see gasket list 100 - 134
Wössner connect. rods	-	-	-	-

Nissan®



Alle Angaben zum Verdichtungsverhältnis, Domvolumen und Kolbengewicht beziehen sich nur auf unser Standardmaß DA.

All information on compression ratio, dome volume and piston weight is valid for our standard size DA only.

Model	GT-R R35	300ZX 3.0Ltr. Turbo	240SX Turbo	240SX Turbo
Years	-	90-96	91-98	91-98
Engine typ	VR38DETT	VG30DETT	KA24DET	KA24DET
Displ. (cm ³)	3799	2958	2387	2387

Piston kit part no.	Bore size (mm)	Ring set part no.	Piston kit part no.	Bore size (mm)	Ring set part no.	Piston kit part no.	Bore size (mm)	Ring set part no.	Piston kit part no.	Bore size (mm)	Ring set part no.
K9401DA	95.50	955XTY	K9061D200	89.00	890XTY	K9174DA	89.00	890XTY	K9430DA	89.00	890XTY
K9401D050	96.00	960XTY							K9430D050	89.50	895XTY
									K9430D100	90.00	900XTY
									K9430D150	90.50	905XTY

Stroke (mm)	88.40	83.00	96.00	96.00
Wössner comp. ratio	9.5:1	8.0:1	8.5:1	9.0:1
OE comp. ratio	9.0:1	9.0:1	10.5:1	10.5:1
Dome volume (cm ³)	-0.1	-9.6	-22.3	-17.3
Comp. height (mm)	34.30	32.00	34.00	34.00
Valves per cylinder	4	4	4	4
Cylinder no.	6	6	4	4
Piston weight (g)	416.00	362.00	362.00	362.00
Clip part no.	CW23	CW22	CW21	CW21
Pin part no.	WP094	WP046	WP092	WP092
Rod length (mm)	165.10	154.00	165.00	165.00
Price code	A6.1	A6.1	A4.3	A4.3
Top end gasket kit	see gasket list 100 - 134	see gasket list 100 - 134	see gasket list 100 - 134	see gasket list 100 - 134
Wössner connect. rods	-	-	-	-

Nissan®



Alle Angaben zum Verdichtungsverhältnis, Domvolumen und Kolbengewicht beziehen sich nur auf unser Standardmaß DA.

All information on compression ratio, dome volume and piston weight is valid for our standard size DA only.

Model	350Z / Maxima / Altima / Infiniti	350Z Maxima / 350Z Altima / 350Z Infiniti Stroker Kit	350Z Maxima / 350Z Altima / 350Z Infiniti Turbo	Maxima / Altima/ Infiniti 350Z Turbo
Years	-	-	-	-
Engine typ	VQ35DE	VQ35DET	VQ35DET	VQ35DET
Displ. (cm ³)	3496	3794	3496	3496

Piston kit part no.	Bore size (mm)	Ring set part no.	Piston kit part no.	Bore size (mm)	Ring set part no.	Piston kit part no.	Bore size (mm)	Ring set part no.	Piston kit part no.	Bore size (mm)	Ring set part no.
K9127DA	95.50	955XSY	K9247D050	96.00	960XTY	K9128DA	95.50	955XTY	K9406D050	96.00	960XTY
K9127DD	95.53	955XSY				K9128D050	96.00	960XTY	K9406D100	96.50	965XTY
K9127D050	96.00	960XSY									
K9127D100	96.50	965XSY									

Stroke (mm)	81.40	87.40	81.40	81.40
Wössner comp. ratio	12.0:1	8.5:1	8.0:1	9.0:1
OE comp. ratio	10.3:1	10.3:1	10.3:1	10.3:1
Dome volume (cm ³)	+12.5	-	-18.2	-7.9
Comp. height (mm)	29.90	27.00	29.60	29.60
Valves per cylinder	4	4	4	4
Cylinder no.	6	6	6	6
Piston weight (g)	401.00	-	376.00	376.00
Clip part no.	CW22	CW22	CW22	CW22
Pin part no.	WP017	WP046	WP046	WP046
Rod length (mm)	144.20	144.20	144.20	144.20
Price code	A6.1	A6.1	A6.1	A6.1
Top end gasket kit	see gasket list 100 - 134	see gasket list 100 - 134	see gasket list 100 - 134	see gasket list 100 - 134
Wössner connect. rods	KPL006	KPL006	KPL006	KPL006

Opel®



Alle Angaben zum Verdichtungsverhältnis, Domvolumen und Kolbengewicht beziehen sich nur auf unser Standardmaß DA.

All information on compression ratio, dome volume and piston weight is valid for our standard size DA only.

Model	Astra / Corsa / Tigra / Vectra / Zafira 1.6Ltr. GSI 16V	Sprint Drag Racing	Calibra GSI 2.0Ltr. 16V Turbo (204 PS)	OPC 2.0Ltr. 16V Turbo
Years	-	-	-	-
Engine typ	X16XEL / C16XE	Z16LER	C20LET	Z20LET / LEH / Y20LET / Z20LER
Displ. (cm ³)	1598	1598	1998	1998

Piston kit part no.	Bore size (mm)	Ring set part no.	Piston kit part no.	Bore size (mm)	Ring set part no.	Piston kit part no.	Bore size (mm)	Ring set part no.	Piston kit part no.	Bore size (mm)	Ring set part no.
K9141DA	79.00	790XDS	K9466DA	79.00	790XTZ	K9092DA	86.00	860XTY	K9410DA	86.00	860XTY
K9141D050	79.50	795XDS	K9466D050	79.50	795XTZ	K9092D050	86.50	865XTY	K9410D050	86.50	865XTY
K9141D100	80.00	800XDS	K9466D100	80.00	800XTZ	K9092D100	87.00	870XTY	K9410D100	87.00	870XTY
						K9092D150	87.50	875XTY			

Stroke (mm)	81.50	81.50	86.00	86.00
Wössner comp. ratio	11.5:1	8.5:1	8.5:1	8.8:1
OE comp. ratio	10.5:1	8.8:1	8.8:1	8.8:1
Dome volume (cm ³)	+3.5	-3.5	-18.4	-20.5
Comp. height (mm)	28.20	28.00	30.50	30.40
Valves per cylinder	4	4	4	4
Cylinder no.	4	4	4	4
Piston weight (g)	268.00	259.00	328.00	315.00
Clip part no.	CW18	CW19	CW21	CW21
Pin part no.	WP053	WP037	WP092	WP092
Rod length (mm)	129.75	129.70	143.00	143.00
Price code	A4.2	A4.3	A4.3	A4.3
Top end gasket kit	see gasket list 100 - 134	see gasket list 100 - 134	see gasket list 100 - 134	see gasket list 100 - 134
Wössner connect. rods	-	-	KPL009	KPL009

Opel®



Alle Angaben zum Verdichtungsverhältnis, Domvolumen und Kolbengewicht beziehen sich nur auf unser Standardmaß DA.

All information on compression ratio, dome volume and piston weight is valid for our standard size DA only.

Model	Astra / Calibra / Kadett / Vectra GSI 2.0Ltr. 16VA	Astra / Calibra / Kadett / Vectra GSI 2.0Ltr. 16VA 3.Ring	2.0Ltr. 16V Flat Top (3. Ring)	2.0Ltr. 16V Kit Car (2. Ring)
Years	-	-	-	-
Engine typ	C20XE	C20XE	C20XE	C20XE
Displ. (cm ³)	1998	1998	1998	2092

Piston kit part no.	Bore size (mm)	Ring set part no.	Piston kit part no.	Bore size (mm)	Ring set part no.	Piston kit part no.	Bore size (mm)	Ring set part no.	Piston kit part no.	Bore size (mm)	Ring set part no.
K9005DA	86.00	860XSY	K9259DA	86.00	860XSY	K9396D150	87.50	875XSY	K9391D200	88.00	880XDS
K9005D050	86.50	865XSY	K9259D050	86.50	865XSY						
K9005D100	87.00	870XSY	K9259D100	87.00	870XSY						
K9005D150	87.50	875XSY	K9259D150	87.50	875XSY						
K9005D200	88.00	880XSY	K9259D200	88.00	880XSY						

Stroke (mm)	86.00	86.00	86.00	86.00
Wössner comp. ratio	12.5:1	12.5:1	11.0:1	12.5:1
OE comp. ratio	10.5:1	10.5:1	10.5:1	10.5:1
Dome volume (cm ³)	+2.3	+2.3	-5.3	+0.3
Comp. height (mm)	30.50	30.50	30.50	22.00
Valves per cylinder	4	4	4	4
Cylinder no.	4	4	4	4
Piston weight (g)	278.00	298.00	302.00	243.00
Clip part no.	CW21	CW21	CW21	CW18
Pin part no.	WP051	WP051	WP051	WP053
Rod length (mm)	143.00	143.00	143.00	148.00
Price code	A4.3	A4.3	A4.5	A4.5
Top end gasket kit	see gasket list 100 - 134	see gasket list 100 - 134	see gasket list 100 - 134	see gasket list 100 - 134
Wössner connect. rods	KPL009	KPL009	KPL009	-

Opel®



Alle Angaben zum Verdichtungsverhältnis, Domvolumen und Kolbengewicht beziehen sich nur auf unser Standardmaß DA.

All information on compression ratio, dome volume and piston weight is valid for our standard size DA only.

Model	Manta / Ascona CIH 2.0Ltr. 8V	Manta / Ascona CIH 2.0Ltr. 8V Longer Rod	Manta / Ascona / Frontera / Omega CIH 2.4Ltr. 8V
Years	-	-	-
Engine typ	2.0E	2.0E	C2.4NE
Displ. (cm ³)	1998	1998	2459

Piston kit part no.	Bore size (mm)	Ring set part no.	Piston kit part no.	Bore size (mm)	Ring set part no.	Piston kit part no.	Bore size (mm)	Ring set part no.
K9140DA	95.00	950XSY	K9395D050	95.50	955XSY	K9006D100	96.00	960XSY
K9140D050	95.50	955XSY	K9395D100	96.00	960XSY	K9006D150	96.50	965XSY
K9140D100	96.00	960XSY	K9395D200	97.00	970XSY	K9006D200	97.00	970XSY
K9140D200	97.00	970XSY						

Stroke (mm)	69.80	69.80	85.00
Wössner comp. ratio	10.5:1	10,5:1	12.0:1
OE comp. ratio	8.5:1	8.5:1	9.2:1
Dome volume (cm ³)	+10.7	+10.7	+3.8
Comp. height (mm)	45.00	39.00	31.50
Valves per cylinder	2	2	2
Cylinder no.	4	4	4
Piston weight (g)	506.00	474.00	424.00
Clip part no.	CW22	CW22	CW22
Pin part no.	WP046	WP046	WP017
Rod length (mm)	128.00	134.00	134.00
Price code	A4.3	A4.3	A4.3
Top end gasket kit	see gasket list 100 - 134	see gasket list 100 - 134	see gasket list 100 - 134
Wössner connect. rods	-	-	KPL011

Peugeot®



Alle Angaben zum Verdichtungsverhältnis, Domvolumen und Kolbengewicht beziehen sich nur auf unser Standardmaß DA.

All information on compression ratio, dome volume and piston weight is valid for our standard size DA only.

¹ Ringe müssen gekürzt werden
Rings need to be shortened

² Brennraum muss der Domform des Kolbens angepasst werden
Combustion chamber need to be adapted at piston dome design

Neu!

Model	F2000 106	² 106 8V Rally	106 8V Rally	² 205 Rally 1.3Ltr.
Years	-	-	-	-
Engine typ	TU1SP	TU2J2	TU2J2	TU24
Displ. (cm ³)	1148	1293	1293	1293

Piston kit part no.	Bore size (mm)	Ring set part no.	Piston kit part no.	Bore size (mm)	Ring set part no.	Piston kit part no.	Bore size (mm)	Ring set part no.	Piston kit part no.	Bore size (mm)	Ring set part no.
K9414D080	72.80	¹ 730XDS	K9107DA	75.00	750XDS	K9480DA	75.00	750XDS	K9114DA	75.00	750XDS
			K9107D050	75.50	755XDS	K9480D050	75.50	755XDS	K9114D050	75.50	755XDS
			K9107D100	76.00	760XDS				K9114D100	76.00	760XDS

Stroke (mm)	69.00	73.20	73.20	73.00
Wössner comp. ratio	-	11.5:1	-	11.5:1
OE comp. ratio	10.7:1	10.2:1	10.2:1	9.6:1
Dome volume (cm ³)	-	+7.1	+4.4	+7.2
Comp. height (mm)	26.60	37.00	37.00	38.80
Valves per cylinder	2	2	2	2
Cylinder no.	4	4	4	4
Piston weight (g)	196.00	240.00	236.00	252.00
Clip part no.	CW18	CW18	CW18	CW18
Pin part no.	WP049	WP031	WP053	WP031
Rod length (mm)	126.80	133.60	133.60	112.30
Price code	A4.1	A4.3	A4.3	A4.2
Top end gasket kit	see gasket list 100 - 134	see gasket list 100 - 134	see gasket list 100 - 134	see gasket list 100 - 134
Wössner connect. rods	-	-	-	-

Peugeot®



Alle Angaben zum Verdichtungsverhältnis, Domvolumen und Kolbengewicht beziehen sich nur auf unser Standardmaß DA.

All information on compression ratio, dome volume and piston weight is valid for our standard size DA only.

² Brennraum muss der Domform des Kolbens angepasst werden
Combustion chamber need to be adapted at piston dome design

Model	² 106 XSI 8V	² 106 XSI 8V	² 106 XSI 1.6Ltr. 8V
Years	-	-	-
Engine typ	TU3J2	TU3J2	TU5J2
Displ. (cm ³)	1360	1360	1587

Piston kit part no.	Bore size (mm)	Ring set part no.	Piston kit part no.	Bore size (mm)	Ring set part no.	Piston kit part no.	Bore size (mm)	Ring set part no.
K9108DA	75.00	750XDS	K9109DA	75.00	750XDS	K9110DA	78.50	785XDS
K9108D050	75.50	755XDS	K9109D050	75.50	755XDS	K9110D020	78.70	787XDS
K9108D100	76.00	760XDS	K9109D100	76.00	760XDS	K9110D050	79.00	790XDS
						K9110D100	79.50	795XDS

Stroke (mm)	77.00	77.00	82.00
Wössner comp. ratio	11.4:1	11.7:1	11.8:1
OE comp. ratio	9.6:1	9.6:1	10.2:1
Dome volume (cm ³)	+5.6	+9.6	+1.9
Comp. height (mm)	41.50	35.00	32.50
Valves per cylinder	2	2	2
Cylinder no.	4	4	4
Piston weight (g)	278.00	248.00	270.00
Clip part no.	CW18	CW20 (19.46)	CW18
Pin part no.	WP031	WP096	WP039
Rod length (mm)	126.80	133.60	133.60
Price code	A4.3	A4.3	A4.3
Top end gasket kit	see gasket list 100 - 134	see gasket list 100 - 134	see gasket list 100 - 134
Wössner connect. rods	-	KPL020	KPL019

Peugeot®



Alle Angaben zum Verdichtungsverhältnis, Domvolumen und Kolbengewicht beziehen sich nur auf unser Standardmaß DA.

All information on compression ratio, dome volume and piston weight is valid for our standard size DA only.

Model	106 S16 Kit Car 1.6Ltr. 16V	106 S16 S16	106 S16 1.6Ltr. 16V Turbo	106 S16 1.6Ltr. 16VA Stroker Kit
Years	-	-	-	-
Engine typ	TU5J4	TU5J4	TU5J4	TU5J4
Displ. (cm ³)	1596	1588	1587	17745

Piston kit part no.	Bore size (mm)	Ring set part no.	Piston kit part no.	Bore size (mm)	Ring set part no.	Piston kit part no.	Bore size (mm)	Ring set part no.	Piston kit part no.	Bore size (mm)	Ring set part no.
K9150D020	78.70	787XDS	K9039DA	78.50	785XDS	K9089DA	78.50	785XTZ	K9407D100	79.50	795XDS
K9150D050	79.00	790XDS	K9039D020	78.70	787XDS	K9089D020	78.70	787XTZ	K9407D150	80.00	800XDS
			K9039D050	79.00	790XDS	K9089D050	79.00	790XTZ			
			K9039D100	79.50	795XDS	K9089D100	79.50	795XTZ			
			K9039D150	80.00	800XDS						

Stroke (mm)	82.00	82.00	82.00	89.00
Wössner comp. ratio	12.7:1	12.0:1	9.0:1	-
OE comp. ratio	12.7:1	10.7:1	10.7:1	10.7:1
Dome volume (cm ³)	+6.7	+7.1	-14.6	-
Comp. height (mm)	28.30	32.50	32.50	29.00
Valves per cylinder	4	4	4	4
Cylinder no.	4	4	4	4
Piston weight (g)	254.00	260.00	284.00	257.00
Clip part no.	CW18	CW20 (19.46)	CW20 (19.46)	CW20 (19.46)
Pin part no.	WP031	WP096	WP035	WP096
Rod length (mm)	137.75	133.60	133.60	133.60
Price code	A4.2	A4.2	A4.3	A4.3
Top end gasket kit	see gasket list 100 - 134	see gasket list 100 - 134	see gasket list 100 - 134	see gasket list 100 - 134
Wössner connect. rods	KPL030	KPL020	KPL020	KPL020

Peugeot®



Alle Angaben zum Verdichtungsverhältnis, Domvolumen und Kolbengewicht beziehen sich nur auf unser Standardmaß DA.

All information on compression ratio, dome volume and piston weight is valid for our standard size DA only.

Model	205 GTI 1.6Ltr. 8V	205 GTI 1.9Ltr. 8V	205 GTI 1.6Ltr. S16
Years	-	-	-
Engine typ	XU5JA	XU9JA	XU9JA
Displ. (cm ³)	1580	1905	1905

Piston kit part no.	Bore size (mm)	Ring set part no.	Piston kit part no.	Bore size (mm)	Ring set part no.	Piston kit part no.	Bore size (mm)	Ring set part no.
K9111DA	83.00	830XSY	K9112DA	83.00	830XSY	K9113D050	83.50	835XSY
K9111D050	83.50	835XSY	K9112D050	83.50	835XSY			
K9111D100	84.00	840XSY	K9112D100	84.00	840XSY			

Stroke (mm)	73.00	88.00	88.00
Wössner comp. ratio	12.0:1	12.5:1	11.5:1
OE comp. ratio	9.8:1	9.6:1	9.2:1
Dome volume (cm ³)	+6.9	-0.5	-
Comp. height (mm)	38.25	37.00	32.00
Valves per cylinder	2	2	4
Cylinder no.	4	4	4
Piston weight (g)	334.00	320.00	319.00
Clip part no.	CW20	CW20	CW20
Pin part no.	WP052	WP052	WP052
Rod length (mm)	150.50	143.00	154.50
Price code	A4.3	A4.3	A4.3
Top end gasket kit	see gasket list 100 - 134	see gasket list 100 - 134	see gasket list 100 - 134
Wössner connect. rods	-	-	-

Peugeot®



Alle Angaben zum Verdichtungsverhältnis, Domvolumen und Kolbengewicht beziehen sich nur auf unser Standardmaß DA.

All information on compression ratio, dome volume and piston weight is valid for our standard size DA only.

¹⁾ Nur mit einer mindestens 1.5 mm dicken Dichtung einsetzen.

Only use this connecting rod with a 1.5mm gasket or more.

Model	206 XS S16 1.6Ltr. 16VA	206 XS 1.6Ltr. S16 Kit Car	206 Super Car
Years	-	-	-
Engine typ	TU5JP4	TU5JP4	TU5JP4
Displ. (cm ³)	1587	1594	1595

Piston kit part no.	Bore size (mm)	Ring set part no.	Piston kit part no.	Bore size (mm)	Ring set part no.	Piston kit part no.	Bore size (mm)	Ring set part no.
K9177DA	78.50	785XDS	K9233D020	78.70	787XDS	K9416D020	78.70	787XDS
K9177D020	78.70	787XDS	K9233D050	79.00	790XDS	K9416D050	79.00	790XDS
K9177D050	79.00	790XDS						
K9177D150	80.00	800XDS						

Stroke (mm)	82.00	82.00	82.00
Wössner comp. ratio	12.2:1	12.7:1	13.0:1
OE comp. ratio	10.8:1	10.8:1	10.7:1
Dome volume (cm ³)	+8.7	+7.6	+10.8
Comp. height (mm)	32.10	28.00	26.75
Valves per cylinder	4	4	4
Cylinder no.	4	4	4
Piston weight (g)	260.00	243.00	245.00
Clip part no.	CW18	CW18	CW18
Pin part no.	WP031	WP031	WP031
Rod length (mm)	133.60	137.75	139.85
Price code	A4.2	A4.3	A4.3
Top end gasket kit	see gasket list 100 - 134	see gasket list 100 - 134	see gasket list 100 - 134
Wössner connect. rods	KPL019	KPL030	KPL046 ¹⁾

Peugeot®



Alle Angaben zum Verdichtungsverhältnis, Domvolumen und Kolbengewicht beziehen sich nur auf unser Standardmaß DA.

All information on compression ratio, dome volume and piston weight is valid for our standard size DA only.

3D rounded

Model	206 RC / GTI 180 2.0Ltr. 16V (177PS)	206 RC 2.0Ltr./ GTI 180 Turbo (177PS)	207RC
Years	-	-	10-11
Engine typ	EW10J4RS	EW10J4R	EP6
Displ. (cm ³)	1997	1997	1597

Piston kit part no.	Bore size (mm)	Ring set part no.	Piston kit part no.	Bore size (mm)	Ring set part no.	Piston kit part no.	Bore size (mm)	Ring set part no.
K9190DA	85.00	850XSY	K9287DA	85.00	850XTY	K9469DA	77.00	770XDS
K9190D050	85.50	855XSY	K9287D050	85.50	855XTY	K9469D050	77.50	775XDS

Stroke (mm)	88.00	88.00	85.80
Wössner comp. ratio	12.5:1	8.5:1	10.5:1
OE comp. ratio	11.0:1	11.0:1	10.5:1
Dome volume (cm ³)	+6.5	-15.0	-0.55
Comp. height (mm)	29.50	29.50	28.50
Valves per cylinder	4	4	4
Cylinder no.	4	4	4
Piston weight (g)	336.00	286.00	273.00
Clip part no.	CW21	CW21	CW20
Pin part no.	WP034	WP034	WP068
Rod length (mm)	139.00	139.00	-
Price code	A4.3	A4.3	A4.6
Top end gasket kit	see gasket list 100 - 134	see gasket list 100 - 134	see gasket list 100 - 134
Wössner connect. rods	KPL033	KPL033	-

Peugeot®



Alle Angaben zum Verdichtungsverhältnis, Domvolumen und Kolbengewicht beziehen sich nur auf unser Standardmaß DA.

All information on compression ratio, dome volume and piston weight is valid for our standard size DA only.

Model	306 / 405 MI16 2.0Ltr. S16 (155PS)	306-RS S16 / 306 GTI 2.0Ltr. 16V (167PS)	306 Kit Car EVO 5.6.7	306 2.0Ltr. S16 Turbo (167PS)
Years	-	-	-	-
Engine typ	XU10J4	XU10J4RS	XU10J4RSK	XU10J4RS
Displ. (cm ³)	1998	1998	1998	1998

Piston kit part no.	Bore size (mm)	Ring set part no.	Piston kit part no.	Bore size (mm)	Ring set part no.	Piston kit part no.	Bore size (mm)	Ring set part no.	Piston kit part no.	Bore size (mm)	Ring set part no.
K9041DA	86.00	860XSY	K9181DA	86.00	860XSY	K9182DA	86.00	860XSY	K9203DA	86.00	860XTY
K9041D050	86.50	865XSY	K9181D050	86.50	865XSY	K9182D050	86.50	865XSY	K9203D050	86.50	865XTY
K9041D100	87.00	870XSY	K9181D100	87.00	870XSY				K9203D100	87.00	870XTY

Stroke (mm)	86.00	86.00	86.00	86.00
Wössner comp. ratio	12.2:1	12.2:1	12.6:1	8.0:1
OE comp. ratio	10.4:1	10.8:1	10.8:1	10.8:1
Dome volume (cm ³)	+5.9	+2.8	+7.5	-
Comp. height (mm)	38.00	34.00	28.90	34.00
Valves per cylinder	4	4	4	4
Cylinder no.	4	4	4	4
Piston weight (g)	362.00	317.00	294.00	345.00
Clip part no.	CW22	CW20	CW18	CW22
Pin part no.	WP009	WP038	WP053	WP046
Rod length (mm)	152.00	158.00	160.00	158.00
Price code	A4.3	A4.2	DA = A4.2 D050 = A4.3	A4.3
Top end gasket kit	see gasket list 100 - 134	see gasket list 100 - 134	see gasket list 100 - 134	see gasket list 100 - 134
Wössner connect. rods	KPL028	KPL029	-	-

Peugeot®



Alle Angaben zum Verdichtungsverhältnis, Domvolumen und Kolbengewicht beziehen sich nur auf unser Standardmaß DA.

All information on compression ratio, dome volume and piston weight is valid for our standard size DA only.

Model	309 GTI / 309 S16 / 405 MI16 1.9Ltr.	309 GTI / S16 / 405 MI16 1.9Ltr. Turbo	405 T16
Years	-	-	-
Engine typ	XU9J4	XU9J4	XU10J4STROKER
Displ. (cm ³)	1903	1903	1997

Piston kit part no.	Bore size (mm)	Ring set part no.	Piston kit part no.	Bore size (mm)	Ring set part no.	Piston kit part no.	Bore size (mm)	Ring set part no.
K9042DA	83.00	830XSY	K9229D050	83.50	835XTY	K9115DA	86.00	860XTY
K9042D050	83.50	835XSY				K9115D050	86.50	865XTY
K9042D200	85.00	850XSY				K9115D100	87.00	870XTY

Stroke (mm)	88.00	88.00	86.00
Wössner comp. ratio	11.8:1	8.5:1	8.0:1
OE comp. ratio	10.4:1	10.4:1	8.0:1
Dome volume (cm ³)	+1.7	-17.5	-
Comp. height (mm)	38.00	38.00	35.50
Valves per cylinder	4	4	4
Cylinder no.	4	4	4
Piston weight (g)	326.00	320.00	354.00
Clip part no.	CW22	CW22	CW23
Pin part no.	WP009	WP046	WP024
Rod length (mm)	143.00	143.00	152.00
Price code	A4.3	A4.3	A4.3
Top end gasket kit	see gasket list 100 - 134	see gasket list 100 - 134	see gasket list 100 - 134
Wössner connect. rods	-	-	-

Porsche®



Alle Angaben zum Verdichtungsverhältnis, Domvolumen und Kolbengewicht beziehen sich nur auf unser Standardmaß DA.

All information on compression ratio, dome volume and piston weight is valid for our standard size DA only.

² Brennraum muss der Domform des Kolbens angepasst werden
Combustion chamber need to be adapted at piston dome design

Model	356 B / 912 / 356 ²SC Super 90 (90PS)	911 E / 911 L 2.0Ltr. 130-140PS	911 S 2.0Ltr. 160PS
Years	60-69	65-68	66
Engine typ	616.16 / 616.36	2000	-
Displ. (cm³)	1582	1991	1991

Piston kit part no.	Bore size (mm)	Ring set part no.	Piston kit part no.	Bore size (mm)	Ring set part no.	Piston kit part no.	Bore size (mm)	Ring set part no.
K9015DA	82.50	825XSY	K9102DA	80.00	800XDS	K9412DA	80.00	800XDS
K9015D050	83.00	830XSY	K9102D050	80.50	805XDS	K9412D050	80.50	805XDS
K9015D100	83.50	835XSY	K9102D100	81.00	810XSY	K9412D100	81.00	810XDS

Stroke (mm)	74.00	66.00	66.00
Wössner comp. ratio	9.5:1	9.0:1	10.5:1
OE comp. ratio	9.3:1	9.1:1	9.8:1
Dome volume (cm³)	-	-	+34.5
Comp. height (mm)	27.00	34.00	34.00
Valves per cylinder	2	2	2
Cylinder no.	4	6	6
Piston weight (g)	292.00	325.00	342.00
Clip part no.	CW22	CW22	CW22
Pin part no.	WP017	WP017	WP017
Rod length (mm)	136.00	130.00	130.00
Price code	A4.3	A6.1	A6.1
Top end gasket kit	-	-	-
Wössner connect. rods	-	KPL037	KPL037
Cyl./Sleeves	-	ZP092-123	-

Porsche®



Alle Angaben zum Verdichtungsverhältnis, Domvolumen und Kolbengewicht beziehen sich nur auf unser Standardmaß DA.

All information on compression ratio, dome volume and piston weight is valid for our standard size DA only.

Neu!

Model	911 "T" 2.2Ltr. (125PS)	911 S 2.2Ltr.(180PS)	911 S/E/T 2,4Ltr.	911 SC 3.0Ltr. (204PS)
Years	69-71	69-70	72-73 / 72-73 / 71-73	80-83
Engine typ	911.03	911.02	-	930.10
Displ. (cm ³)	2193	2193	2340	2993

Piston kit part no.	Bore size (mm)	Ring set part no.	Piston kit part no.	Bore size (mm)	Ring set part no.	Piston kit part no.	Bore size (mm)	Ring set part no.	Piston kit part no.	Bore size (mm)	Ring set part no.
K9135DA	84.00	840XTY	K9103DA	84.00	840XSY	K9482DA	84.00	840XSY	K9254DA	95.00	950XSY
K9135D050	84.50	845XTY	K9103D050	84.50	845XSY	K9482D050	84.50	845XSY	K9254D300	98.00	980XSY
K9135D100	85.00	850XTY	K9103D100	85.00	850XSY	K9482D100	85.00	850XSY			

Stroke (mm)	66.00	66.00	70.40	70.40
Wössner comp. ratio	8.5:1	10.5:1	10.0:1	10.5:1
OE comp. ratio	8.6:1	9.8:1	7.5:1 (911T) 8.0:1 (911E) 8.5:1 (911S)	9.8:1
Dome volume (cm ³)	+19.1	+29.4	+24.6	+42.2
Comp. height (mm)	34.00	34.00	34.00	34.00
Valves per cylinder	2	2	2	2
Cylinder no.	6	6	6	6
Piston weight (g)	351.00	354.00	-	456.00
Clip part no.	CW22	CW22	CW22	C22X1.6
Pin part no.	WP017	WP017	WP017	WP017
Rod length (mm)	130.00	130.00	-	127.75
Price code	A6.1	A6.1	A6.1	A6.2
Top end gasket kit	-	-	-	-
Wössner connect. rods	KPL037	KPL037	-	-
Cyl./Sleeves	-	ZP092-120	-	-

Porsche®



Alle Angaben zum Verdichtungsverhältnis, Domvolumen und Kolbengewicht beziehen sich nur auf unser Standardmaß DA.

All information on compression ratio, dome volume and piston weight is valid for our standard size DA only.

Model	911 SC 3.0Ltr.	RS 2.7Ltr.	911 3.2Ltr. 3.2Ltr.	930 3.3Ltr. Turbo
Years	80-83	73	83-90	77-90
Engine typ	930.10	-	930.20 / 930.21 / 930.26	M30.66 / B6
Displ. (cm ³)	2993	2687	3164	3299

Piston kit part no.	Bore size (mm)	Ring set part no.	Piston kit part no.	Bore size (mm)	Ring set part no.	Piston kit part no.	Bore size (mm)	Ring set part no.	Piston kit part no.	Bore size (mm)	Ring set part no.
K9456DA	95.00	950XSY	K9413DA	90.00	900XSY	K9255DA	95.00	950XSY	K9290DA	97.00	970XTY
						K9255D300	98.00	980XSY			

Stroke (mm)	70.40	70.40	74.40	74.40
Wössner comp. ratio	11.5:1	11.6:1	10.5:1	7.0:1
OE comp. ratio	9.8:1	8.5:1	10.3:1	7.0:1
Dome volume (cm ³)	+52.4	+31.5	+36.5	+4.2
Comp. height (mm)	34.00	33.70	32.80	32.80
Valves per cylinder	2	2	2	2
Cylinder no.	6	6	6	6
Piston weight (g)	457	368	432	415
Clip part no.	C22X1.6	CW22	C23X1.6	C23X1.6
Pin part no.	WP046	WP017	WP024	WP094
Rod length (mm)	127.75	127.00	127.00	127.00
Price code	A6.1	A6.1	DA = A6.2 D300 = A6.1	A6.2
Top end gasket kit	-	-	-	-
Wössner connect. rods	-	-	-	-
Cyl./Sleeves	-	-	-	-

Porsche®



Alle Angaben zum Verdichtungsverhältnis, Domvolumen und Kolbengewicht beziehen sich nur auf unser Standardmaß DA.

All information on compression ratio, dome volume and piston weight is valid for our standard size DA only.

Model	944 2.5 Ltr.	944 2.5 Ltr. Turbo	964 3.6Ltr.
Years	88-89	all	89-94
Engine typ	-	-	-
Displ. (cm³)	2479	2479	3598

Piston kit part no.	Bore size (mm)	Ring set part no.	Piston kit part no.	Bore size (mm)	Ring set part no.	Piston kit part no.	Bore size (mm)	Ring set part no.
K9476DA	100.00	1000XTY	K9477DA	100.00	1000XTY	K9017DA	100.00	1000XSY
K9476D050	100.50	1005XTY	K9477D050	100.50	1005XTY			
K9476D100	101.00	1010XTY	K9477D100	101.00	1010XTY			

Stroke (mm)	78.90	78.90	76.40
Wössner comp. ratio	10.6:1	8.0:1	11.8:1
OE comp. ratio	10.6:1	8.0:1	11.3:1
Dome volume (cm³)	-0.5	-26.6	+40.2
Comp. height (mm)	40.80	40.80	31.70
Valves per cylinder	2	2	2
Cylinder no.	4	4	3L / 3R
Piston weight (g)	-	-	460.00
Clip part no.	CW24	CW24	C23X1.6
Pin part no.	WP022	WP022	WP008
Rod length (mm)	-	-	127.00
Price code	A6.1	A6.1	A6.1
Top end gasket kit	-	-	-
Wössner connect. rods	-	-	KPL048
Cyl./Sleeves	-	-	-

Porsche®



Alle Angaben zum Verdichtungsverhältnis, Domvolumen und Kolbengewicht beziehen sich nur auf unser Standardmaß DA.

All information on compression ratio, dome volume and piston weight is valid for our standard size DA only.

Model	964 to 3.8Ltr.	965 Turbo to 3.8Ltr.	993 3.6Ltr.	993 to 3.8Ltr.
Years	89-94	90-94	94-98	94-98
Engine typ	-	-	-	-
Displ. (cm ³)	3743	3743	3598	3743

Piston kit part no.	Bore size (mm)	Ring set part no.	Piston kit part no.	Bore size (mm)	Ring set part no.	Piston kit part no.	Bore size (mm)	Ring set part no.	Piston kit part no.	Bore size (mm)	Ring set part no.
K9017D200	102.00	1020XSK	K9196D200	102.00	1020XSK	K9016DA	100.00	1000XSY	K9016D200	102.00	1020XSK

Stroke (mm)	76.40	76.40	76.40	76.40
Wössner comp. ratio	11.8:1	8.2:1	11.8:1	11.8:1
OE comp. ratio	11.3:1	7.5:1	11.3:1	11.3:1
Dome volume (cm ³)	+40.2	+6.7	+40.2	+40.2
Comp. height (mm)	31.70	31.70	31.70	31.70
Valves per cylinder	2	2	2	2
Cylinder no.	3L / 3R	6	6	6
Piston weight (g)	440.00	426.00	461.00	443.00
Clip part no.	C23X1.6	C23X1.6	C23X1.6	C23X1.6
Pin part no.	WP008	WP008	WP008	WP008
Rod length (mm)	127.00	127.00	127.00	127.00
Price code	A6.1	A6.1	A6.1	A6.1
Top end gasket kit	-	-	-	-
Wössner connect. rods	KPL048	-	KPL031	KPL031
Cyl./Sleeves	ZP107-120	ZP107-120	-	ZP107-120

Porsche®



Alle Angaben zum Verdichtungsverhältnis, Domvolumen und Kolbengewicht beziehen sich nur auf unser Standardmaß DA.

All information on compression ratio, dome volume and piston weight is valid for our standard size DA only.

Model	993 TT / GT2 3.6Ltr.	993 Turbo to 3.8Ltr. (Turbo 1995-98 / GT2 1996-98)	996 TT / GT2 to 3.8Ltr. to 3.8Ltr.	997 GT3 RS 3.8Ltr. (415PS)
Years	95-98	95-98 / 96-98	01-05	06-current
Engine typ	-	-	-	-
Displ. (cm ³)	3743	3743	3743	3743

Piston kit part no.	Bore size (mm)	Ring set part no.	Piston kit part no.	Bore size (mm)	Ring set part no.	Piston kit part no.	Bore size (mm)	Ring set part no.	Piston kit part no.	Bore size (mm)	Ring set part no.
K9018DA	100.00	1000XTY	K9018D200	102.00	1020XSK	K9260D200	102.00	1020XSK	K9268D200	102.00	1020XSK

Stroke (mm)	76.40	76.40	76.40	76.40
Wössner comp. ratio	8.0:1	8.0:1	9.4:1	12.7:1
OE comp. ratio	8.0:1	8.0:1	9.4:1	12.0:1
Dome volume (cm ³)	+12.1	+12.1	-20.0	-0.8
Comp. height (mm)	31.60	31.60	33.10	30.10
Valves per cylinder	2	2	4	4
Cylinder no.	6	6	6	6
Piston weight (g)	462.00	453.00	453.00	418.00
Clip part no.	C23X1.6	C23X1.6	C23X1.6	C22X1.6
Pin part no.	WP094	WP094	WP047	WP009
Rod length (mm)	127.00	127.00	127.00	130.50
Price code	A6.2	A6.2	A6.2	A6.2
Top end gasket kit	-	-	see gasket list 100 - 134	-
Wössner connect. rods	KPL031	KPL031	KPL031	-
Cyl./Sleeves	-	ZP107-114.5 ZP109-114.5	PSK	PSK

Porsche®



Alle Angaben zum Verdichtungsverhältnis, Domvolumen und Kolbengewicht beziehen sich nur auf unser Standardmaß DA.

All information on compression ratio, dome volume and piston weight is valid for our standard size DA only.

Model	Cayman S 3.4Ltr.	996 911Carrera / 911Carrera 4 3.4Ltr.	996 - 911Carrera / 996 - 911Targa / 996 - 911Carrera 4 / 996 - 911Carrera 4S 3.6Ltr.	997 - 911Carrera S / 997 - 911Carrera 4S 3.8Ltr.
Years	-	until 01	02-current	-
Engine typ	M97.21	M96.01 / M96.04	M96.03	M97.01
Displ. (cm ³)	3387	3387	3596	3824

Piston kit part no.	Bore size (mm)	Ring set part no.	Piston kit part no.	Bore size (mm)	Ring set part no.	Piston kit part no.	Bore size (mm)	Ring set part no.	Piston kit part no.	Bore size (mm)	Ring set part no.
K9471DA	96.00	960XTY	K9472DA	96.00	960XTY	K9473DA	96.00	960XTY	K9474DA	99.00	990XTY
K9471D050	96.50	965XTY	K9472D050	96.50	965XTY	K9473D050	96.50	965XTY	K9474D050	99.50	995XTY
K9471D100	97.00	970XTY	K9472D100	97.00	970XTY	K9473D100	97.00	970XTY	K9474D100	100.00	1000XTY

Stroke (mm)	78.00	78.00	82.80	82.80
Wössner comp. ratio	11.1:1	11.3:1	11.3:1	11.8:1
OE comp. ratio	11.1:1	11.3:1	11.3:1	11.8:1
Dome volume (cm ³)	-7.8	-15.0	-11.0	-13.8
Comp. height (mm)	32.30	32.30	33.00	33.00
Valves per cylinder	4	4	4	4
Cylinder no.	6	6	6	6
Piston weight (g)	410.00	398.00	-	427.00
Clip part no.	C22X1.6	C22X1.6	C22X1.6	C22X1.6
Pin part no.	WP098	WP098	WP098	WP098
Rod length (mm)	-	-	-	-
Price code	A6.2	A6.2	A6.2	A6.2
Top end gasket kit	-	-	-	-
Wössner connect. rods	-	-	-	-

Porsche®



Alle Angaben zum Verdichtungsverhältnis, Domvolumen und Kolbengewicht beziehen sich nur auf unser Standardmaß DA.

All information on compression ratio, dome volume and piston weight is valid for our standard size DA only.

Cylinder

Part number	Bore Ø (mm)	Fitting Ø (mm)	Height (mm)	Price code
ZP107-114.5	102.00	107.00	114.50	Z1
ZP107-120	102.00	107.00	120.00	Z1
ZP109-114.5	102.00	109.00	114.50	Z1
ZP109-120	102.00	109.00	120.00	Z1
ZP092-123	80.00	92.00	123.00	Z1
ZP092-120	84.00	92.00	120.00	Z5

Cylinder Kit

Part number	Bore Ø (mm)	Fitting Ø (mm)	Height (mm)	Price code
ZP107-114.5K	102.00	107.00	114.50	Z2
ZP107-120K	102.00	107.00	120.00	Z2
ZP109-114.5K	102.00	109.00	114.50	Z2
ZP109-120K	102.00	109.00	120.00	Z2
ZP092-123K	80.00	92.00	123.00	Z2
ZP092-120K	84.00	92.00	120.00	Z6

Sleeve

Part number	Bore Ø (mm)	Fitting Ø (mm)	Height (mm)	Price code
PS	102.00	107.00	120.50	Z3

Sleeve Kit

Part number	Bore Ø (mm)	Fitting Ø (mm)	Height (mm)	Price code
PSK	102.00	107.00	120.50	Z4

Renault®



Alle Angaben zum Verdichtungsverhältnis, Domvolumen und Kolbengewicht beziehen sich nur auf unser Standardmaß DA.

All information on compression ratio, dome volume and piston weight is valid for our standard size DA only.

¹ Ringe müssen gekürzt werden
Rings need to be shortened

Model	Alpine 1300 / R8 Gordini 1300	Alpine 1600 / R12 Gordini	Alpine 1600	Alpine 1600
Years	-	-	-	-
Engine typ	812-00	807-12 / 807-G / 803-32	807-12 / 807-G / 803-32	807-12 / 807-G / 803-32
Displ. (cm ³)	1255	1565	1796	1796

Piston kit part no.	Bore size (mm)	Ring set part no.	Piston kit part no.	Bore size (mm)	Ring set part no.	Piston kit part no.	Bore size (mm)	Ring set part no.	Piston kit part no.	Bore size (mm)	Ring set part no.
K9118D050	75.00	750XDS	K9185D080	77.80	778XDS	K9418D550	82.50	825XSY	K9419D550	82.50	825XSY
K9118D120	75.70	¹ 760XSY	K9185D100	78.00	780XDS						
			K9185D200	79.00	790XDS						
			K9185D300	80.00	800XDS						

Stroke (mm)	72.00	84.00	84.00	84.00
Wössner comp. ratio	12.5:1	11.5:1	11.5:1	11.5:1
OE comp. ratio	9.8:1	10.3:1	10.2:1	10.2:1
Dome volume (cm ³)	-	+23.1	-	-
Comp. height (mm)	35.00	39.00	41.00	33.50
Valves per cylinder	2	2	4	4
Cylinder no.	4	4	4	4
Piston weight (g)	252.00	314.00	339.00	303.00
Clip part no.	CW20	CW21	CW21	CW21
Pin part no.	WP038	WP051	WP034	WP034
Rod length (mm)	133.00	136.50	136.50	144.00
Price code	A4.3	D080-D200 = A4.2 D300 = A4.3	A4.3	A4.3
Top end gasket kit	-	-	-	-
Wössner connect. rods	-	-	-	-

Renault®



Alle Angaben zum Verdichtungsverhältnis, Domvolumen und Kolbengewicht beziehen sich nur auf unser Standardmaß DA.

All information on compression ratio, dome volume and piston weight is valid for our standard size DA only.

Model	R5 Alpine	R5 Turbo 1 / Turbo 2	R5 Alpine Turbo	R5 GT / Super 5 GT / R11
Years	-	-	-	-
Engine typ	840-25	8400	C6J726	C1J760 / C1J782
Displ. (cm ³)	1397	1397	1397	1397

Piston kit part no.	Bore size (mm)	Ring set part no.	Piston kit part no.	Bore size (mm)	Ring set part no.	Piston kit part no.	Bore size (mm)	Ring set part no.	Piston kit part no.	Bore size (mm)	Ring set part no.
K9117DA	76.00	760XDS	K9116DA	76.00	760XTZ	K9040DA	76.00	760XTZ	K9186DA	76.00	760XTZ
K9117D060	76.60	766XTZ	K9116D100	77.00	770XTZ	K9040D100	77.00	770XTZ	K9186D060	76.60	766XTZ
K9117D100	77.00	770XDS	K9116D200	78.00	780XTZ				K9186D100	77.00	770XTZ
K9117D400	80.00	800XDS							K9186D200	78.00	780XTZ

Stroke (mm)	77.00	77.00	77.00	77.00
Wössner comp. ratio	11.0:1	7.0:1	7.5:1	8.0:1
OE comp. ratio	10.0:1	7.0:1	8.6:1	8.0:1
Dome volume (cm ³)	+6.6	+6.0	+10.1	+1.8
Comp. height (mm)	37.80	35.60	36.10	37.50
Valves per cylinder	2	2	2	2
Cylinder no.	4	4	4	4
Piston weight (g)	286.00	302.00	308.00	306.00
Clip part no.	CW20	CW20	CW20	CW20
Pin part no.	WP052	WP052	WP061	WP052
Rod length (mm)	128.00	128.00	128.00	128.00
Price code	DA-D100 = A4.2 D400 = A4.3	A4.2	A4.2	A4.2
Top end gasket kit	-	-	-	-
Wössner connect. rods	KPL022	KPL022	KPL022	KPL022

Renault®



Alle Angaben zum Verdichtungsverhältnis, Domvolumen und Kolbengewicht beziehen sich nur auf unser Standardmaß DA.

All information on compression ratio, dome volume and piston weight is valid for our standard size DA only.

Model	Clio 1.6Ltr. 16S	Clio / R19 1.8Ltr. 16S	Clio / R19 1.8Ltr. 16S Turbo
Years	-	-	-
Engine typ	K4M	F7P	F7P
Displ. (cm ³)	1598	1764	1764

Piston kit part no.	Bore size (mm)	Ring set part no.	Piston kit part no.	Bore size (mm)	Ring set part no.	Piston kit part no.	Bore size (mm)	Ring set part no.
K9211DA	79.50	795XDS	K9104DA	82.00	820XSY	K9200DA	82.00	820XTY
K9211D050	80.00	800XDS	K9104D050	82.50	825XSY	K9200D050	82.50	825XTY
			K9104D100	83.00	830XSY	K9200D100	83.00	830XTY

Stroke (mm)	80.50	83.50	83.50
Wössner comp. ratio	12.7:1	12.0:1	8.0:1
OE comp. ratio	10.0:1	10.0:1	10.0:1
Dome volume (cm ³)	+7.1	-	-
Comp. height (mm)	31.70	35.50	35.50
Valves per cylinder	4	4	4
Cylinder no.	4	4	4
Piston weight (g)	276.00	296.00	302.00
Clip part no.	CW18	CW21	CW21
Pin part no.	WP054	WP034	WP092
Rod length (mm)	128.00	144.00	144.00
Price code	A4.1	A4.3	DA = A4.5 D050-D100 = A4.2
Top end gasket kit	-	see gasket list 100 - 134	see gasket list 100 - 134
Wössner connect. rods	-	KPL021	KPL021

Renault®

Alle Angaben zum Verdichtungsverhältnis, Domvolumen und Kolbengewicht beziehen sich nur auf unser Standardmaß DA.

All information on compression ratio, dome volume and piston weight is valid for our standard size DA only.

Model	Clio RS Turbo / 172 / 182	Clio RS Maxi / 172 / 182 (use with racing rods)	Clio RS	Clio RS16
Years	00-06	00-06	00-06	00-06
Engine typ	F4R-730	F4R-730	F4R-730	F4R-730
Displ. (cm ³)	1998	1998	1998	1998

Piston kit part no.	Bore size (mm)	Ring set part no.	Piston kit part no.	Bore size (mm)	Ring set part no.	Piston kit part no.	Bore size (mm)	Ring set part no.	Piston kit part no.	Bore size (mm)	Ring set part no.
K9136DA	82.70	827XTY	K9230DA	82.70	827XSY	K9045DA	82.70	827XSY	K9417DA	82.70	827XSY
K9136D030	83.00	830XTY				K9045D030	83.00	830XSY	K9417D030	83.00	830XSY
K9136D080	83.50	835XTY				K9045D080	83.50	835XSY	K9417D080	83.50	835XSY
K9136D130	84.00	840XTY				K9045D130	84.00	840XSY	K9417D130	84.00	840XSY

Stroke (mm)	93.00	93.00	93.00	93.00
Wössner comp. ratio	8.5:1	13,3:1	12.8:1	11.8:1
OE comp. ratio	11.0:1	11.0:1	11.0:1	11.0:1
Dome volume (cm ³)	-	+7.3	+5.3	+3.4
Comp. height (mm)	30.20	30.20	30.20	30.20
Valves per cylinder	4	4	4	4
Cylinder no.	4	4	4	4
Piston weight (g)	280.00	294.00	270.00	283.00
Clip part no.	CW21	CW21	CW21	CW21
Pin part no.	WP092	WP013	WP051	WP051
Rod length (mm)	144.00	144.00	144.00	144.00
Price code	A4.1	A4.1	A4.3	A4.3
Top end gasket kit	see gasket list 100 - 134	see gasket list 100 - 134	see gasket list 100 - 134	see gasket list 100 - 134
Wössner connect. rods	KPL021	KPL021	KPL021	KPL021

Renault®



Alle Angaben zum Verdichtungsverhältnis, Domvolumen und Kolbengewicht beziehen sich nur auf unser Standardmaß DA.

All information on compression ratio, dome volume and piston weight is valid for our standard size DA only.

Model	Clio RS / R3 (use with racing rods)	Megane RS 1+2 Turbo	R21 2.0Ltr. Turbo
Years	07-08	-	-
Engine typ	F4R-830	F4R-776 / F4R-874	J7R752
Displ. (cm ³)	1998	1998	1998

Piston kit part no.	Bore size (mm)	Ring set part no.	Piston kit part no.	Bore size (mm)	Ring set part no.	Piston kit part no.	Bore size (mm)	Ring set part no.
K9288DA	82.70	827XSY	K9475DA	82.70	827XTY	K9090DA	88.00	880XTY
K9288D030	83.00	830XSY	K9475D030	83.00	830XTY	K9090D050	88.50	885XTY
K9288D130	84.00	840XSY	K9475D080	83.50	835XTY			
			K9475D130	84.00	840XTY			

Stroke (mm)	93.00	93.00	82.00
Wössner comp. ratio	12.7:1	9.0:1	8.0:1
OE comp. ratio	11.0:1	9.0:1	8.0:1
Dome volume (cm ³)	+7.5	-11.4	-
Comp. height (mm)	30.20	30.20	40.50
Valves per cylinder	4	4	4
Cylinder no.	4	4	4
Piston weight (g)	282.00	290.00	441.00
Clip part no.	CW21	CW21	CW24
Pin part no.	WP013	WP092	WP022
Rod length (mm)	144.00	-	137.00
Price code	A4.1	A4.2	A4.3
Top end gasket kit	see gasket list 100 - 134	see gasket list 100 - 134	-
Wössner connect. rods	KPL021	KPL021	-

Renault®



Alle Angaben zum Verdichtungsverhältnis, Domvolumen und Kolbengewicht beziehen sich nur auf unser Standardmaß DA.

All information on compression ratio, dome volume and piston weight is valid for our standard size DA only.

Model	Clio / Megane 2.0Ltr. S16 Williams / 2.0Ltr. S16	Clio / Megane 2.0Ltr. S16 WilliamsA / 2.0Ltr. S16A	Clio / Megane 2.0Ltr. S16 Williams Turbo 2.0Ltr. S16 Turbo	Clio / Megane Maxi
Years	-	-	-	-
Engine typ	F7R	F7R	F7R	F7RR
Displ. (cm ³)	1998	1998	1998	1994

Piston kit part no.	Bore size (mm)	Ring set part no.	Piston kit part no.	Bore size (mm)	Ring set part no.	Piston kit part no.	Bore size (mm)	Ring set part no.	Piston kit part no.	Bore size (mm)	Ring set part no.
K9034DA	82.70	827XSY	K9037DA	82.70	827XSY	K9133DA	82.70	827XTY	K9187DA	84.00	840XSY
K9034D030	83.00	830XSY	K9037D030	83.00	830XSY	K9133D030	83.00	830XTY			
K9034D080	83.50	835XSY	K9037D080	83.50	835XSY	K9133D130	84.00	840XTY			
K9034D130	84.00	840XSY	K9037D130	84.00	840XSY						

Stroke (mm)	93.00	93.00	93.00	90.00
Wössner comp. ratio	11.2:1	12.5:1	8.5:1	12.7:1
OE comp. ratio	10.0:1	10.0:1	10.0:1	10.0:1
Dome volume (cm ³)	+4.4	+9.0	-13.4	+12.6
Comp. height (mm)	30.70	30.70	30.70	24.90
Valves per cylinder	4	4	4	4
Cylinder no.	4	4	4	4
Piston weight (g)	294.00	293.00	288.00	276.00
Clip part no.	CW21	CW21	CW21	CW18
Pin part no.	WP034	WP034	WP092	WP054
Rod length (mm)	144.00	144.00	144.00	150.00
Price code	A4.3	A4.3	A4.3	A4.2
Top end gasket kit	see gasket list 100 - 134	see gasket list 100 - 134	see gasket list 100 - 134	see gasket list 100 - 134
Wössner connect. rods	KPL021	KPL021	KPL021	-

Rover®



Alle Angaben zum Verdichtungsverhältnis, Domvolumen und Kolbengewicht beziehen sich nur auf unser Standardmaß DA.

All information on compression ratio, dome volume and piston weight is valid for our standard size DA only.

Model	Metro / 100 / 200 / 25 / 400 / 45 / Streetwise 1.4Ltr. 16V	200 / 25 / 45 / Streetwise / 75 1.8Ltr. 16V	220 / 420 / 620 / 820 2.0Ltr. 16V Turbo
Years	-	-	-
Engine typ	14K4F	18K4F	T16
Displ. (cm ³)	1395	1796	1994

Piston kit part no.	Bore size (mm)	Ring set part no.	Piston kit part no.	Bore size (mm)	Ring set part no.	Piston kit part no.	Bore size (mm)	Ring set part no.
K9221DA	75.00	750XDS	K9222DA	80.00	800XDS	K9231DA	84.50	845XTY
			K9222D050	80.50	805XDS	K9231D050	85.00	850XTY
			K9222D100	81.00	810XSY	K9231D100	85.50	855XTY
						K9231D150	86.00	860XTY

Stroke (mm)	79.00	89.30	89.00
Wössner comp. ratio	12.5:1	12.0:1	8.0:1
OE comp. ratio	10.3:1	10.5:1	8.5:1
Dome volume (cm ³)	+10.7	+1.2	-
Comp. height (mm)	22.50	23.80	31.30
Valves per cylinder	4	4	4
Cylinder no.	4	4	4
Piston weight (g)	218.00	253.00	326.00
Clip part no.	CW18	CW18	CW21
Pin part no.	WP031	WP099	WP092
Rod length (mm)	139.40	133.10	160.00
Price code	A4.2	A4.3	A4.3
Top end gasket kit	-	see gasket list 100 - 134	-
Wössner connect. rods	-	-	-

Saab®



Alle Angaben zum Verdichtungsverhältnis, Domvolumen und Kolbengewicht beziehen sich nur auf unser Standardmaß DA.

All information on compression ratio, dome volume and piston weight is valid for our standard size DA only.

Model	900 / 9 2.0Ltr.16V Turbo	9-5 2.3Ltr. 16V Turbo	9000 2.3Ltr.16V Turbo
Years	00-03	-	-
Engine typ	B205E / B205F	B235E	B234E / B234L / B234R
Displ. (cm ³)	1985	2290	2290

Piston kit part no.	Bore size (mm)	Ring set part no.	Piston kit part no.	Bore size (mm)	Ring set part no.	Piston kit part no.	Bore size (mm)	Ring set part no.
K9120DA	90.00	900XTY	K9119DA	90.00	900XTY	K9214DA	90.00	900XTY
K9120D050	90.50	905XTY	K9119D050	90.50	905XTY	K9214D050	90.50	905XTY
K9120D100	91.00	910XTY	K9119D100	91.00	910XTY	K9214D100	91.00	910XTY

Stroke (mm)	78.00	90.00	90.00
Wössner comp. ratio	9.3:1	9.3:1	8.5:1
OE comp. ratio	9.3:1	9.3:1	9.3:1
Dome volume (cm ³)	-	-	-24.9
Comp. height (mm)	32.20	32.90	40.30
Valves per cylinder	4	4	4
Cylinder no.	4	4	4
Piston weight (g)	380.00	370.00	426.00
Clip part no.	CW24	CW24	CW24
Pin part no.	WP022	WP022	WP022
Rod length (mm)	159.00	153.00	147.00
Price code	A4.3	A4.3	A4.3
Top end gasket kit	-	-	-
Wössner connect. rods	KPL052	KPL053	-

Seat®



Alle Angaben zum Verdichtungsverhältnis, Domvolumen und Kolbengewicht beziehen sich nur auf unser Standardmaß DA.

All information on compression ratio, dome volume and piston weight is valid for our standard size DA only.

Model	Cordoba / Ibiza 2.0Ltr. 8V (115 PS)	Cordoba / Ibiza 2.0Ltr. 16V (150PS)	Cordoba / Ibiza 2.0Ltr. 16V Turbo (150PS)
Years	-	-	-
Engine typ	2E	ABF	ABF
Displ. (cm ³)	1983	1983	1983

Piston kit part no.	Bore size (mm)	Ring set part no.	Piston kit part no.	Bore size (mm)	Ring set part no.	Piston kit part no.	Bore size (mm)	Ring set part no.
K9054DA	82.50	825XSY	K9032DA	82.50	825XSY	K9204DA	82.50	825XTY
K9054D020	82.70	827XSY	K9032D020	82.70	827XSY	K9204D050	83.00	830XTY
K9054D050	83.00	830XSY	K9032D050	83.00	830XSY	K9204D100	83.50	835XTY
K9054D100	83.50	835XSY	K9032D100	83.50	835XSY			
K9054D150	84.00	840XSY	K9032D150	84.00	840XSY			

Stroke (mm)	92.80	92.80	92.80
Wössner comp. ratio	12.3:1	13.0:1	9.0:1
OE comp. ratio	10.5:1	10.5:1	10.4:1
Dome volume (cm ³)	-6.6	+9.8	-10.6
Comp. height (mm)	30.90	31.60	31.60
Valves per cylinder	2	4	4
Cylinder no.	4	4	4
Piston weight (g)	290.00	310.00	297.00
Clip part no.	CW21	CW21	CW21
Pin part no.	WP034	WP034	WP092
Rod length (mm)	159.00	159.00	159.00
Price code	A4.3	A4.3	A4.3
Top end gasket kit	see gasket list 100 - 134	see gasket list 100 - 134	see gasket list 100 - 134
Wössner connect. rods	KPL016	KPL016	KPL016

Seat®

Alle Angaben zum Verdichtungsverhältnis, Domvolumen und Kolbengewicht beziehen sich nur auf unser Standardmaß DA.

All information on compression ratio, dome volume and piston weight is valid for our standard size DA only.

Model	Leon / Alhambra 2.8Ltr. V6 24V Turbo	Leon / Toledo 1.8Ltr. 20V Turbo (180PS)	Leon 2.0Ltr. 16V T FSI Turbo
Years	-	-	-
Engine typ	AUE / AYL	APP / ARY / AUQ	M1
Displ. (cm ³)	2792	1781	1984

Piston kit part no.	Bore size (mm)	Ring set part no.	Piston kit part no.	Bore size (mm)	Ring set part no.	Piston kit part no.	Bore size (mm)	Ring set part no.
K9097DA-6	81.00	810XTY	K9145DA	81.00	810XTY	K9213DA	82.50	825XTY
K9097D100-6	82.00	820XTY	K9145D100	82.00	820XTY	K9213D050	83.00	830XTY
K9097D150-6	82.50	825XTY	K9145D150	82.50	825XTY	K9213D100	83.50	835XTY
K9097D200-6	83.00	830XTY						

Stroke (mm)	90.30	86.40	92.80
Wössner comp. ratio	8.5:1	9.5:1	9.2:1
OE comp. ratio	10.8:1	9.5:1	10.5:1
Dome volume (cm ³)	+2.5	-6.3	-6.7
Comp. height (mm)	35.10	32.70	29.50
Valves per cylinder	4	5	4
Cylinder no.	6	4	4
Piston weight (g)	336.00	301.00	334.00
Clip part no.	CW20	CW19	CW20
Pin part no.	WP061	WP026	WP061
Rod length (mm)	164.00	144.00	144.00
Price code	A6.1	A4.3	DA = A4.3 D050 = A4.5 D100 = A4.3
Top end gasket kit	-	-	see gasket list 100 - 134
Wössner connect. rods	-	-	KPL018

Subaru®



Alle Angaben zum Verdichtungsverhältnis, Domvolumen und Kolbengewicht beziehen sich nur auf unser Standardmaß DA.

All information on compression ratio, dome volume and piston weight is valid for our standard size DA only.

Neu!

Model	Impreza (22B) / Legacy Turbo	BRZ Turbo	Impreza RS / Forester / Legacy	Impreza WRX Version 1.2.3.4
Years	91-94	12	97-04	92-98
Engine typ	EJ22	-	EJ25SOHC	EJ20
Displ. (cm ³)	2217	2000	2455	1993

Piston kit part no.	Bore size (mm)	Ring set part no.	Piston kit part no.	Bore size (mm)	Ring set part no.	Piston kit part no.	Bore size (mm)	Ring set part no.	Piston kit part no.	Bore size (mm)	Ring set part no.
K9132D050	97.50	975XTY	K9485DA	86.00	860XTY	K9051DA	99.50	995XTY-3	K9129DA	92.00	920XTY-3
K9132D100	98.00	980XTY	K9485D025	86.25	862XTY	K9051D100	100.50	1005XTY-3	K9129D050	92.50	925XTY-3
									K9129D100	93.00	930XTY-3

Stroke (mm)	75.00	86.00	79.00	75.00
Wössner comp. ratio	8.0:1	10.5:1	8.0:1	8.0:1
OE comp. ratio	8.0:1	10.5:1	10.0:1	8.3:1
Dome volume (cm ³)	-	-	-28.7	-16.8
Comp. height (mm)	33.25	32.80	29.50	33.40
Valves per cylinder	4	4	4	4
Cylinder no.	4	4	4	4
Piston weight (g)	410.00	332.00	384.00	338.00
Clip part no.	CA23	CW22	CA23	CA23
Pin part no.	WP094	WP017	WP024	WP094
Rod length (mm)	130.50	-	131.60	130.50
Price code	A4.3	A4.6	A4.3	A4.3
Top end gasket kit	see gasket list 100 - 134	-	see gasket list 100 - 134	see gasket list 100 - 134
Wössner connect. rods	KPL024	-	-	KPL024

Subaru®



Alle Angaben zum Verdichtungsverhältnis, Domvolumen und Kolbengewicht beziehen sich nur auf unser Standardmaß DA.

All information on compression ratio, dome volume and piston weight is valid for our standard size DA only.

Model	Impreza WRX Version 1, 2, 3, 4	Impreza WRX Version 1-2.3.4 Stroker Kit	Impreza WRX Version 5.6	Impreza WRX Version 5, 6
Years	92-98	92-98	98-00	98-00
Engine typ	EJ20	EJ20	EJ20 / EJ205	EJ20 / EJ205
Displ. (cm ³)	1993	2124	1993	1993

Piston kit part no.	Bore size (mm)	Ring set part no.	Piston kit part no.	Bore size (mm)	Ring set part no.	Piston kit part no.	Bore size (mm)	Ring set part no.	Piston kit part no.	Bore size (mm)	Ring set part no.
K9432DA	92.00	920XTY-3	K9248D050	92.50	925XTY-3	K9130DA	92.00	920XTY-3	K9403DA	92.00	920XTY-3
K9432D050	92.50	925XTY-3				K9130D050	92.50	925XTY-3	K9403D050	92.50	925XTY-3
K9432D100	93.00	930XTY-3				K9130D100	93.00	930XTY-3	K9403D100	93.00	930XTY-3

Stroke (mm)	75.00	79.00	75.00	75.00
Wössner comp. ratio	9.0:1	8.0:1	8.0:1	9.0:1
OE comp. ratio	8.3:1	8.3:1	8.4:1	8.4:1
Dome volume (cm ³)	-8.7	-27.3	-8.7	+0.3
Comp. height (mm)	33.40	31.40	32.70	32.70
Valves per cylinder	4	4	4	4
Cylinder no.	4	4	4	4
Piston weight (g)	338.00	338.00	354.00	354.00
Clip part no.	CA23	CA23	CA23	CA23
Pin part no.	WP094	WP094	WP094	WP094
Rod length (mm)	130.50	130.50	130.50	130.50
Price code	A4.3	A4.3	A4.3	A4.3
Top end gasket kit	see gasket list 100 - 134	see gasket list 100 - 134	see gasket list 100 - 134	see gasket list 100 - 134
Wössner connect. rods	KPL024	KPL024	KPL024	KPL024

Subaru®



Alle Angaben zum Verdichtungsverhältnis, Domvolumen und Kolbengewicht beziehen sich nur auf unser Standardmaß DA.

All information on compression ratio, dome volume and piston weight is valid for our standard size DA only.

Model	Impreza WRX Version 5, 6 Stroker Kit	Impreza WRX STI Version 7-8	Impreza WRX STI Version 7, 8 Stroker Kit	Impreza WRX STI Version 9
Years	98-00	00-03	00-03	03-current
Engine typ	EJ20 / EJ205	EJ205	EJ205	EJ205
Displ. (cm ³)	2124	1993	2124	1993

Piston kit part no.	Bore size (mm)	Ring set part no.	Piston kit part no.	Bore size (mm)	Ring set part no.	Piston kit part no.	Bore size (mm)	Ring set part no.	Piston kit part no.	Bore size (mm)	Ring set part no.
K9249D050	92.50	925XTY-3	K9050DA	92.00	920XTY-3	K9250D050	92.50	925XTY-3	K9223DA	92.00	920XTY-3
			K9050D050	92.50	925XTY-3				K9223D050	92.50	925XTY-3
			K9050D100	93.00	930XTY-3				K9223D100	93.00	930XTY-3

Stroke (mm)	79.00	75.00	79.00	75.00
Wössner comp. ratio	8.0:1	9.0:1	8.0:1	8.0:1
OE comp. ratio	8.4:1	8.0:1	8.0:1	8.0:1
Dome volume (cm ³)	-19.2	-0.2	-13.7	-6.4
Comp. height (mm)	30.70	31.40	29.40	31.50
Valves per cylinder	4	4	4	4
Cylinder no.	4	4	4	4
Piston weight (g)	358.00	354.00	340.00	360.00
Clip part no.	CA23	CA23	CA23	CA23
Pin part no.	WP094	WP094	WP094	WP094
Rod length (mm)	130.50	130.50	130.50	130.50
Price code	A4.3	A4.3	A4.3	A4.3
Top end gasket kit	see gasket list 100 - 134	-	-	-
Wössner connect. rods	KPL024	KPL024	KPL024	KPL024

Subaru®



Alle Angaben zum Verdichtungsverhältnis, Domvolumen und Kolbengewicht beziehen sich nur auf unser Standardmaß DA.

All information on compression ratio, dome volume and piston weight is valid for our standard size DA only.

Model	Impreza WRX STI Version 9	Impreza WRX STI	Impreza WRX STI	U.S. Impreza WRX STI Stroker Kit
Years	03-current	04-08	04-08	04-06
Engine typ	EJ205	EJ257	EJ257	EJ257
Displ. (cm ³)	1993	2455	2455	2482

Piston kit part no.	Bore size (mm)	Ring set part no.	Piston kit part no.	Bore size (mm)	Ring set part no.	Piston kit part no.	Bore size (mm)	Ring set part no.	Piston kit part no.	Bore size (mm)	Ring set part no.
K9457DA	92.00	920XTY-3	K9467DA	99.50	995XTY-3	K9131DA	99.50	995XTY-3	K9263D050	100.00	1000XTY-3
K9457D050	92.50	925XTY-3	K9467D050	100.00	1000XTY-3	K9131D050	100.00	1000XTY-3			
K9457D100	93.00	930XTY-3	K9467D100	100.50	1005XTY-3	K9131D100	100.50	1005XTY-3			

Stroke (mm)	75.00	79.00	79.00	79.00
Wössner comp. ratio	9.0:1	8.0:1	9.0:1	8.0:1
OE comp. ratio	8.0:1	8.2:1	8.2:1	8.2:1
Dome volume (cm ³)	+2.5	-25.3	-14.3	-30.6
Comp. height (mm)	31.50	30.70	30.70	31.00
Valves per cylinder	4	4	4	4
Cylinder no.	4	4	4	4
Piston weight (g)	360.00	413.00	403.00	389.00
Clip part no.	CA23	CA23	CA23	CA23
Pin part no.	WP094	WP024	WP024	WP024
Rod length (mm)	130.50	130.50	130.50	130.50
Price code	A4.3	A4.5	A4.3	A4.3
Top end gasket kit	-	see gasket list 100 - 134	see gasket list 100 - 134	see gasket list 100 - 134
Wössner connect. rods	KPL024	KPL024	KPL024	KPL024

Toyota®



Alle Angaben zum Verdichtungsverhältnis, Domvolumen und Kolbengewicht beziehen sich nur auf unser Standardmaß DA.

All information on compression ratio, dome volume and piston weight is valid for our standard size DA only.

Model	Celica / MR2 1.6Ltr. 16V	Celica / MR2 1.6Ltr. 16V	Celica / MR2 2.0Ltr. 16V	Celica / MR2 2.0Ltr. 16V Turbo
Years	88-92	88-92	89-95	-
Engine typ	4AGE	4AGE	3SGE	3SG
Displ. (cm ³)	1586	1586	1997	1997

Piston kit part no.	Bore size (mm)	Ring set part no.	Piston kit part no.	Bore size (mm)	Ring set part no.	Piston kit part no.	Bore size (mm)	Ring set part no.	Piston kit part no.	Bore size (mm)	Ring set part no.
K9035DA	81.00	810XSY	K9191D100	82.00	820XSY	K9179DA	86.00	860XSY	K9036DA	86.00	860XTY
K9035D050	81.50	815XSY				K9179D050	86.50	865XSY	K9036D050	86.50	865XTY
K9035D100	82.00	820XSY				K9179D100	87.00	870XSY	K9036D100	87.00	870XTY

Stroke (mm)	77.00	77.00	86.00	86.00
Wössner comp. ratio	11.8:1	11.8:1	12.4:1	8.0:1
OE comp. ratio	10.0:1	10.0:1	10.5:1	9.0:1
Dome volume (cm ³)	+4.9	-	+10.4	-8.2
Comp. height (mm)	30.60	30.60	35.00	35.00
Valves per cylinder	4	4	4	4
Cylinder no.	4	4	4	4
Piston weight (g)	274.00	280.00	366.00	346.00
Clip part no.	CW20	CW18	CW22	CW22
Pin part no.	WP029	WP054	WP017	WP017
Rod length (mm)	122.00	122.00	138.00	138.00
Price code	A4.2	A4.1	A4.3	A4.3
Top end gasket kit	see gasket list 100 - 134	see gasket list 100 - 134	see gasket list 100 - 134	see gasket list 100 - 134
Wössner connect. rods	-	-	-	-

Toyota®



Alle Angaben zum Verdichtungsverhältnis, Domvolumen und Kolbengewicht beziehen sich nur auf unser Standardmaß DA.

All information on compression ratio, dome volume and piston weight is valid for our standard size DA only.

Neu!

Model	Celica / MR2 2.0Ltr. 16V Turbo	Celica / MR2 2.0Ltr. 16V Turbo	GT 86	Supra 3.0Ltr. Turbo
Years	-	86-95	12-14	86-92
Engine typ	3SG	3SGTE	-	7MGTE
Displ. (cm ³)	1997	1997	2000	2954

Piston kit part no.	Bore size (mm)	Ring set part no.	Piston kit part no.	Bore size (mm)	Ring set part no.	Piston kit part no.	Bore size (mm)	Ring set part no.	Piston kit part no.	Bore size (mm)	Ring set part no.
K9433DA	86.00	860XTY	K9055DA	86.00	860XTY	K9485DA	86.00	860XTY	K9056D050	83.50	835XTY
K9433D050	86.50	865XTY	K9055D025	86.25	862XTY	K9485D025	86.25	862XTY	K9056D100	84.00	840XTY
K9433D100	87.00	870XTY	K9055D050	86.50	865XTY						
			K9055D100	87.00	870XTY						

Stroke (mm)	86.00	86.00	86.00	91.00
Wössner comp. ratio	9.0:1	8.0:1	10.5:1	8.0:1
OE comp. ratio	9.0:1	8.5:1	10.5:1	8.4:1
Dome volume (cm ³)	+0.7	-14.8	-	-23.3
Comp. height (mm)	35.00	35.00	32.80	33.00
Valves per cylinder	4	4	4	4
Cylinder no.	4	4	4	6
Piston weight (g)	346.00	354.00	332.00	320.00
Clip part no.	CW22	CW22	CW22	CW22
Pin part no.	WP017	WP046	WP017	WP046
Rod length (mm)	138.00	138.00	-	152.00
Price code	A4.3	A4.3	A4.6	A6.1
Top end gasket kit	see gasket list 100 - 134	see gasket list 100 - 134	-	see gasket list 100 - 134
Wössner connect. rods	-	-	-	-

Toyota®



Alle Angaben zum Verdichtungsverhältnis, Domvolumen und Kolbengewicht beziehen sich nur auf unser Standardmaß DA.

All information on compression ratio, dome volume and piston weight is valid for our standard size DA only.

Model	Supra 2.5Ltr. Twin-Turbo	Supra 3.0Ltr. Turbo	Starlet GT Turbo / Glanza S / GlanzaV
Years	90-07	93-98	-
Engine typ	1JZGTE	2JZGTE	4EFTE
Displ. (cm ³)	2491	3030	1331

Piston kit part no.	Bore size (mm)	Ring set part no.	Piston kit part no.	Bore size (mm)	Ring set part no.	Piston kit part no.	Bore size (mm)	Ring set part no.
K9291D050	86.50	865XTY	K9057DA	86.00	860XTY	K9072DA	74.00	740XTZ
K9291D100	87.00	870XTY	K9057D050	86.50	865XTY	K9072D050	74.50	745XTZ
			K9057D100	87.00	870XTY	K9072D100	75.00	750XTZ

Stroke (mm)	71.50	86.00	77.40
Wössner comp. ratio	7.9:1	8.0:1	8.0:1
OE comp. ratio	8.5:1	8.5:1	8.2:1
Dome volume (cm ³)	-9.8	-	-6.2
Comp. height (mm)	34.00	34.00	30.00
Valves per cylinder	4	4	4
Cylinder no.	6	6	4
Piston weight (g)	372.00	362.00	244.00
Clip part no.	CW22	CW22	CW18
Pin part no.	WP046	WP046	WP042
Rod length (mm)	142.00	142.00	-
Price code	A6.1	A6.1	A4.1
Top end gasket kit	-	see gasket list 100 - 134	-
Wössner connect. rods	-	-	-

Volvo®



Alle Angaben zum Verdichtungsverhältnis, Domvolumen und Kolbengewicht beziehen sich nur auf unser Standardmaß DA.

All information on compression ratio, dome volume and piston weight is valid for our standard size DA only.

Model	C30 T-5
Years	-
Engine typ	-
Displ. (cm³)	2522

Piston kit part no.	Bore size (mm)	Ring set part no.
K9276DA	83.00	830XTY
K9276D050	83.50	835XTY
K9276D100	84.00	840XTY

Stroke (mm)	93.20
Wössner comp. ratio	8.5:1
OE comp. ratio	9.0:1
Dome volume (cm³)	-
Comp. height (mm)	28.40
Valves per cylinder	4
Cylinder no.	5
Piston weight (g)	290.00
Clip part no.	CW21
Pin part no.	WP092
Rod length (mm)	-
Price code	A4.3
Top end gasket kit	-
Wössner connect. rods	-



Alle Angaben zum Verdichtungsverhältnis, Domvolumen und Kolbengewicht beziehen sich nur auf unser Standardmaß DA.

All information on compression ratio, dome volume and piston weight is valid for our standard size DA only.

³ Motoren und Kolben sind identisch. Durch unterschiedliche Brennräume entstehen abweichende Verdichtungsverhältnisse
Engines and pistons are identical. Different combustion chambers produce divergent compression ratios.

Model	Polo G40	3D rounded Golf TSI 1,4Ltr. Scirocco TSI 1,4Ltr.	Golf 1 GTI	³ Golf 1 / Golf 2 GTI 1.8Ltr. 8V
Years	-	-	-	-
Engine typ	PY	CAX / CAV / CVA	EG	1P / 2H / ABS / ADZ / GU / GX / HV / JV / DS / DX / DZ / EV / GZ / KT / HAT / JH / PB
Displ. (cm ³)	1272	1390	1588	1779

Piston kit part no.	Bore size (mm)	Ring set part no.	Piston kit part no.	Bore size (mm)	Ring set part no.	Piston kit part no.	Bore size (mm)	Ring set part no.	Piston kit part no.	Bore size (mm)	Ring set part no.
K9096DA	75.00	750XTZ	K9481DA	76.50	765XTZ	K9180DA	79.50	795XDS	K9028DA	81.00	810XSY
K9096D050	75.50	755XTZ	K9481D050	77.00	770XTZ	K9180D025	79.75	797XDS	K9028D050	81.50	815XSY
K9096D100	76.00	760XTZ				K9180D050	80.00	800XDS	K9028D100	82.00	820XSY
K9096D150	76.50	765XTZ				K9180D100	80.50	805XDS	K9028D150	82.50	825XSY
K9096D200	77.00	770XTZ				K9180D150	81.00	810XSY	K9028D200	83.00	830XSY
									K9028D250	83.50	835XSY

Stroke (mm)	72.00	-	80.00	86.40
Wössner comp. ratio	8.0:1	-	11.6:1	11.3:1 / 12.3:1
OE comp. ratio	8.0:1	10.0:1	9.5:1	9.0:1 / 10.0:1
Dome volume (cm ³)	-	-7.5	-	+0.0
Comp. height (mm)	40.00	29.00	40.70	32.20
Valves per cylinder	2	4	2	2
Cylinder no.	4	4	4	4
Piston weight (g)	294.00	-	316.00	288.00
Clip part no.	CW20	CW19	CW22	CW20
Pin part no.	WP052	WP037	WP017	WP052
Rod length (mm)	-	-	136.00	144.00
Price code	A4.3	A4.6	A4.3	A4.3
Top end gasket kit	see gasket list 100 - 134	see gasket list 100 - 134	see gasket list 100 - 134	see gasket list 100 - 134
Wössner connect. rods	-	-	-	-



Alle Angaben zum Verdichtungsverhältnis, Domvolumen und Kolbengewicht beziehen sich nur auf unser Standardmaß DA.

All information on compression ratio, dome volume and piston weight is valid for our standard size DA only.

Model	Golf 2 GTI / Scirocco / Corrado 1.8Ltr. 16V (136PS)	Golf 2 GTI / Scirocco / Corrado 1.8Ltr. 16V Turbo	Golf 2 / Corrado 1.8Ltr. 8V G60	2.0Ltr. 8V G60 Turbo
Years	-	-	-	-
Engine typ	KR / PL	KR / PL	PG	PG
Displ. (cm ³)	1779	1779	1781	2007

Piston kit part no.	Bore size (mm)	Ring set part no.	Piston kit part no.	Bore size (mm)	Ring set part no.	Piston kit part no.	Bore size (mm)	Ring set part no.	Piston kit part no.	Bore size (mm)	Ring set part no.
K9029DA	81.00	810XSY	K9201DA	81.00	810XTY	K9106DA	81.00	810XTY	K9389D200	83.00	830XTY
K9029D050	81.50	815XSY	K9201D050	81.50	815XTY	K9106D050	81.50	815XTY			
K9029D100	82.00	820XSY	K9201D100	82.00	820XTY	K9106D100	82.00	820XTY			
K9029D150	82.50	825XSY	K9201D150	82.50	825XTY	K9106D150	82.50	825XTY			
K9029D200	83.00	830XSY	K9201D200	83.00	830XTY	K9106D200	83.00	830XTY			

Stroke (mm)	86.40	86.40	86.40	92.80
Wössner comp. ratio	12.7:1	10.0:1	8.0:1	9.0:1
OE comp. ratio	10.0:1	9.3:1	8.0:1	8.0:1
Dome volume (cm ³)	+11.0	-12.3	-16.1	-14.5
Comp. height (mm)	33.40	33.40	39.50	28.30
Valves per cylinder	4	4	2	2
Cylinder no.	4	4	4	4
Piston weight (g)	320.00	306.00	362.00	271.00
Clip part no.	CW20	CW20	CW22	CW20
Pin part no.	WP052	WP061	WP046	WP061
Rod length (mm)	144.00	144.00	136.00	144.00
Price code	A4.3	A4.1	A4.3	A4.5
Top end gasket kit	see gasket list 100 - 134	see gasket list 100 - 134	see gasket list 100 - 134	see gasket list 100 - 134
Wössner connect. rods	KPL018	KPL018	KPL038	-



Alle Angaben zum Verdichtungsverhältnis, Domvolumen und Kolbengewicht beziehen sich nur auf unser Standardmaß DA.

All information on compression ratio, dome volume and piston weight is valid for our standard size DA only.

Model	Golf 3 / Corrado / Passat / Vento 2.0Ltr. 8V (115 PS)	Corrado / Passat 2.0Ltr. 16V (136PS)	Corrado / Passat 2.0Ltr. 16V Turbo (136PS)	Golf 5 2.0Ltr. 16V T FSI Turbo
Years	-	-	-	-
Engine typ	2E	9A	9A	AXX / BHZ / BGB / BWE / BUL / CDNB / BYK / BPJ
Displ. (cm ³)	1983	1983	1983	1983

Piston kit part no.	Bore size (mm)	Ring set part no.	Piston kit part no.	Bore size (mm)	Ring set part no.	Piston kit part no.	Bore size (mm)	Ring set part no.	Piston kit part no.	Bore size (mm)	Ring set part no.
K9054DA	82.50	825XSY	K9031DA	82.50	825XSY	K9205DA	82.50	825XTY	K9213DA	82.50	825XTY
K9054D020	82.70	827XSY	K9031D020	82.70	827XSY	K9205D050	83.00	830XTY	K9213D050	83.00	830XTY
K9054D050	83.00	830XSY	K9031D050	83.00	830XSY	K9205D100	83.50	835XTY	K9213D100	83.50	835XTY
K9054D100	83.50	835XSY	K9031D100	83.50	835XSY						
K9054D150	84.00	840XSY	K9031D150	84.00	840XSY						

Stroke (mm)	92.80	92.80	92.80	92.80
Wössner comp. ratio	12.3:1	12.5:1	8.0:1	9.2:1
OE comp. ratio	10.4:1	10.7:1	10.7:1	10.5:1
Dome volume (cm ³)	-6.6	+11.2	-20.1	-6.7
Comp. height (mm)	30.90	30.20	30.20	29.50
Valves per cylinder	2	4	4	4
Cylinder no.	4	4	4	4
Piston weight (g)	290.00	319.00	282.00	334.00
Clip part no.	CW21	CW20	CW20	CW20
Pin part no.	WP034	WP052	WP061	WP061
Rod length (mm)	159.00	144.00	144.00	144.00
Price code	A4.3	A4.3	A4.3	A4.5
Top end gasket kit	see gasket list 100 - 134	see gasket list 100 - 134	see gasket list 100 - 134	see gasket list 100 - 134
Wössner connect. rods	KPL016	KPL018	KPL018	KPL018

VW®



Alle Angaben zum Verdichtungsverhältnis, Domvolumen und Kolbengewicht beziehen sich nur auf unser Standardmaß DA.

All information on compression ratio, dome volume and piston weight is valid for our standard size DA only.

Model	2.0Ltr. 20V None Turbo (Racing Version)	2.0Ltr. 20V Turbo	Golf 3 / Vento / Passat / GTI 2.0Ltr. 16V (150PS)	Golf 3 / Vento / Passat / GTI 2.0Ltr. 16V Turbo (150PS)
Years	-	-	-	-
Engine typ	AEB / AGN / ALT	AEB / AGN / ALT	ABF	ABF
Displ. (cm ³)	1983	1983	1983	1983

Piston kit part no.	Bore size (mm)	Ring set part no.	Piston kit part no.	Bore size (mm)	Ring set part no.	Piston kit part no.	Bore size (mm)	Ring set part no.	Piston kit part no.	Bore size (mm)	Ring set part no.
K9270DA	82.50	825XSY	K9388DA	82.50	825XTY	K9032DA	82.50	825XSY	K9204DA	82.50	825XTY
K9270D020	82.70	827XSY	K9388D020	82.70	827XTY	K9032D020	82.70	827XSY	K9204D050	83.00	830XTY
						K9032D050	83.00	830XSY	K9204D100	83.50	835XTY
						K9032D100	83.50	835XSY			
						K9032D150	84.00	840XSY			

Stroke (mm)	92.80	92.80	92.80	92.80
Wössner comp. ratio	12.3:1	9.2:1	13.0:1	9.0:1
OE comp. ratio	8.9:1	8.9:1	10.4:1	10.4:1
Dome volume (cm ³)	+7.5	-10.3	+9.8	-10.6
Comp. height (mm)	29.50	29.50	31.60	31.60
Valves per cylinder	5	5	4	4
Cylinder no.	4	4	4	4
Piston weight (g)	295.00	259.00	310.00	297.00
Clip part no.	CW20	CW20	CW21	CW21
Pin part no.	WP052	WP065	WP034	WP092
Rod length (mm)	144.00	144.00	159.00	159.00
Price code	A4.3	A4.1	A4.3	A4.3
Top end gasket kit	see gasket list 100 - 134	see gasket list 100 - 134	see gasket list 100 - 134	see gasket list 100 - 134
Wössner connect. rods	KPL018	KPL018	KPL016	KPL016



Alle Angaben zum Verdichtungsverhältnis, Domvolumen und Kolbengewicht beziehen sich nur auf unser Standardmaß DA.

All information on compression ratio, dome volume and piston weight is valid for our standard size DA only.

Model	Golf 4 V6 4-Motion Turbo (204PS)	3D rounded Golf 4 R32 Turbo	Neu! Golf 5 GTI 2.0 Ltr. TFSI	Bora / Golf / New Beetle / Passat V5 20V Turbo (170PS)
Years	-	-	06	-
Engine typ	AQP / BDE / AMV / AQP / AUE / AYL / BDE	BFH / BML / BJS	BYD	AQN / AZX
Displ. (cm ³)	2790	3188	1998	2325

Piston kit part no.	Bore size (mm)	Ring set part no.	Piston kit part no.	Bore size (mm)	Ring set part no.	Piston kit part no.	Bore size (mm)	Ring set part no.	Piston kit part no.	Bore size (mm)	Ring set part no.
K9097DA-6	81.00	810XTY	K9094DA	84.00	840XTY	K9479DA	82.50	825XTY	K9097DA	81.00	810XTY
			K9094D050	84.50	845XTY	K9479D050	83.00	830XTY			
			K9094D100	85.00	850XTY						

Stroke (mm)	90.30	95.90	92.80	90.30
Wössner comp. ratio	8.5:1	9.0:1	9.8:1	8.5:1
OE comp. ratio	10.8:1	11.7:1	9.8:1	10.8:1
Dome volume (cm ³)	+2.5	-19.7	-6.2	+2.5
Comp. height (mm)	35.10	29.50	29.60	35.10
Valves per cylinder	4	4	4	4
Cylinder no.	6	6	4	5
Piston weight (g)	336.00	312.00	-	336.00
Clip part no.	CW20	CW20	CW21	CW20
Pin part no.	WP061	WP052	WP092	WP061
Rod length (mm)	164.00	164.00	-	164.00
Price code	A6.1	A6.1	A4.3	A5.3
Top end gasket kit	see gasket list 100 - 134	see gasket list 100 - 134	see gasket list 100 - 134	see gasket list 100 - 134
Wössner connect. rods	-	-	-	-



Alle Angaben zum Verdichtungsverhältnis, Domvolumen und Kolbengewicht beziehen sich nur auf unser Standardmaß DA.

All information on compression ratio, dome volume and piston weight is valid for our standard size DA only.

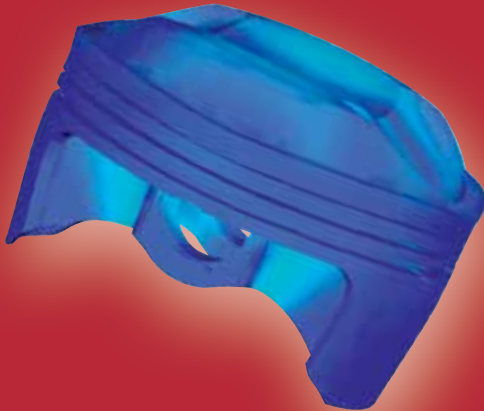
Model	Passat / Beetle / Sharan 1.8Ltr. 20V Turbo	Passat / Beetle / Sharan 1.8Ltr. 20V Turbo (225PS)	Corrado / Golf / Sharan VR6 2.8Ltr. 2.9Ltr. 12V	Corrado / Golf / Sharan VR6 2.8Ltr. 2.9Ltr. 12V Turbo
Years	-	-	-	-
Engine typ	AVC / ANB / AWU / AEB	AVC / ANB / AWU / AEB	AAA / AES / AMY / ABV	AAA / AES / AMY / ABV
Displ. (cm ³)	1781	1779	2788	2788

Piston kit part no.	Bore size (mm)	Ring set part no.	Piston kit part no.	Bore size (mm)	Ring set part no.	Piston kit part no.	Bore size (mm)	Ring set part no.	Piston kit part no.	Bore size (mm)	Ring set part no.
K9075DA	81.00	810XTY	K9271DA	81.00	810XTY	K9053D050	81.50	815XSY	K9093DA	81.00	810XTY
K9075D050	81.50	815XTY	K9271D050	81.50	815XTY	K9053D100	82.00	820XSY	K9093D050	81.50	815XTY
K9075D100	82.00	820XTY	K9271D100	82.00	820XTY	K9053D150	82.50	825XSY	K9093D100	82.00	820XTY
K9075D150	82.50	825XTY	K9271D150	82.50	825XTY	K9053D200	83.00	830XSY	K9093D150	82.50	825XTY
						K9053D250	83.50	835XSY	K9093D200	83.00	830XTY
									K9093D250	83.50	835XTY

Stroke (mm)	86.40	86.40	90.30	90.30
Wössner comp. ratio	8.5:1	9.5:1	11.0:1	8.0:1
OE comp. ratio	8.9:1	8.9:1	10.0:1	10.0:1
Dome volume (cm ³)	-9.7	-6.0	-43.6	-17.8
Comp. height (mm)	32.70	32.70	37.40	30.30
Valves per cylinder	5	5	2	2
Cylinder no.	4	4	6	6
Piston weight (g)	282.00	280.00	286.00	272.00
Clip part no.	CW20	CW20	CW20	CW20
Pin part no.	WP061	WP061	WP052	WP061
Rod length (mm)	144.00	144.00	164.00	164.00
Price code	A4.2	A4.3	A6.1	A6.1
Top end gasket kit	see gasket list 100 - 134	see gasket list 100 - 134	see gasket list 100 - 134	see gasket list 100 - 134
Wössner connect. rods	KPL018	KPL018	-	-

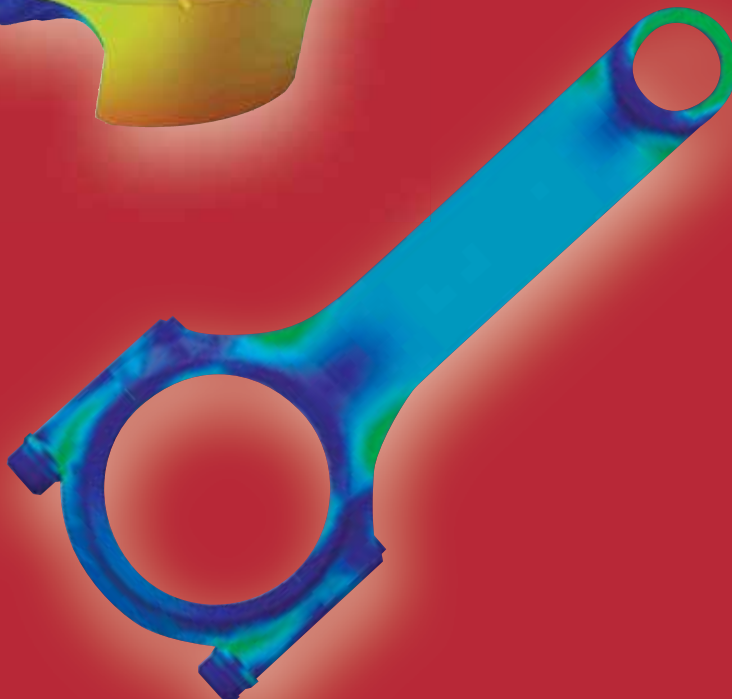
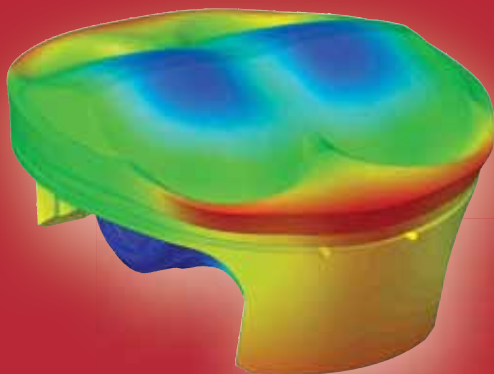
PISTONS

PERFORMANCE



Um unsere Produkte zu optimieren, werden die Auswirkungen von Druck, Bewegung und Temperatur permanent analysiert.

In order to optimise our product, it is necessary to permanently analyse the effects of pressure, motion and temperature.



ROD BOLTS



ARP Rod Bolts

What does L19 mean?

L19 is a vacuum melted alloyed steel with sufficient chromium and carbon to achieve high hardness. L19 is air-cooled from the hardening temperature in a way that does not require an oil quench to achieve full hardness and is tempered to assure full conversion to martensite between 1025 F (551.66 C) and 1075 F (579.44 C). L19 is a proprietary material capable of achieving strengths of 220.000 / 230.000 or 260.000 / 270.000 psi as may be required.



Replacement bolts

Part no.	Material	Thread size (inches)	Length (inches)	Price code
ARPL19-1.5	L19	3/8	1.500"	A1
ARPL19-1.75	L19	3/8	1.750"	A1
ARPL19-5/16*1.5"	L19	5/16	1.500"	A1

CONRODS



* Pleuel nur mit Wössner-Kolben einsetzen
Rods to be used with Wössner pistons only

Description	Article number	Big end diameter		G / Pin diameter	
		mm	Inches	mm	
AUDI					
S3 / TT 1.8Ltr. 20V Turbo	KPL018	50.60	1.992	20.00	
S2 (3B)	KPL018-5	50.60	1.992	20.00	
A3 / S3 2.0Ltr. T FSI*	KPL018	50.60	1.992	20.00	
BMW					
M3 2.3Ltr. 16V A (S14)	KPL002	52.00	2.047	22.00	
M3 2.5Ltr. 16V EVO Sport (S14)	KPL002	52.00	2.047	22.00	
M3 3.0Ltr. 24V E36, 1992-95	KPL042	53.00	2.086	21.00	
M3 3.2Ltr. 24V E36, 1995 up	KPL041	53.00	2.086	21.00	
E34 M5 1986-88 S38B35	KPL002	52.00	2.047	22.00	
E34 M5 1989-93 S38B36	KPL002	52.00	2.047	22.00	
E34 M5 1993-96 S38B38	KPL002	52.00	2.047	22.00	
E24 M6 1988-89 S38B35	KPL002	52.00	2.047	22.00	
M635 CSI	KPL002	52.00	2.047	22.00	
CITROËN					
Saxo 1.6Ltr. TU5J4	KPL020	48.66	1.915	19.46	
Saxo 1.6Ltr. Kit Car TU5J4	KPL030	48.70	1.917	18.00	
C2 VTS 1.6Ltr. 16V TU5JP4	KPL019	48.66	1.915	18.00	
ZX 2.0Ltr. 16V XU10J4	KPL028	53.70	2.114	22.00	
ZX, Xsara 2.0Ltr. 16V XU10J4RS	KPL029	53.70	2.114	20.00	
C4 2.0Ltr. 16V VTR EW10J4RS	KPL033	48.70	1.917	21.00	
FERRARI					
220, 250 GT, 275 GTB	KPL039	44.96	1.770	17.00	
FORD					
Cosworth Escort, Sierra Turbo / Pinto OHC	KPL027-I	55.00	2.165	24.00	
LANCIA					
Integrale 2.0Ltr. 16V / 8V Turbo	KPL001	53.92	2.122	22.00	

CONRODS



* Pleuel nur mit Wössner-Kolben einsetzen
Rods to be used with Wössner pistons only

	Between centres		Big end width		Small end width		Weight (g)	Quantity in kit	Price code
	mm	Inches	mm	Inches	mm	Inches	w/o bolts		
	144.00	5.669	25.00	0.984	25.00	0.984	538.00	4	D
	144.00	5.669	25.00	0.984	25.00	0.984	538.00	5	K
	144.00	5.669	25.00	0.984	25.00	0.984	538.00	4	D
	144.00	5.669	23.90	0.944	23.90	0.944	564.00	4	D
	144.00	5.669	23.90	0.944	23.90	0.944	564.00	4	D
	142.00	5.591	21.85	0.860	21.85	0.860	500.00	6	E
	139.00	3.530	21.84	0.859	21.84	0.859	530.00	6	E
	144.00	5.669	23.90	0.944	23.90	0.944	564.00	6	E
	144.00	5.669	23.90	0.944	23.90	0.944	564.00	6	E
	144.00	5.669	23.90	0.944	23.90	0.944	564.00	6	E
	144.00	5.669	23.90	0.944	23.90	0.944	564.00	6	E
	144.00	5.669	23.90	0.944	23.90	0.944	564.00	6	E
	133.60	5.259	24.00	0.944	20.00	0.787	441.00	4	D
	137.75	5.423	23.90	0.940	20.00	0.787	456.00	4	D
	133.60	5.259	24.00	0.944	20.00	0.787	445.00	4	D
	152.00	5.984	24.20	0.952	19.10	0.751	540.00	4	D
	158.00	6.220	24.20	0.952	22.00	0.866	558.00	4	D
	139.00	5.472	24.10	0.948	19.10	0.751	480.00	4	D
	112.00	4.409	20.80	0.818	19.00	0.748	426.00	12	R
	128.50	5.059	25.80	1.015	25.80	1.015	533.00	4	D
	145.00	5.708	25.70	1.011	25.70	1.011	569.00	4	D

CONRODS



* Pleuel nur mit Wössner-Kolben einsetzen
Rods to be used with Wössner pistons only

¹⁾ Nur mit einer mindestens 1.5mm dicken Dichtung einsetzen.
Only use with a 1.5mm gasket or more!

Description	Article number	Big end diameter		G / Pin diameter	
		mm	Inches	mm	
MITSUBISHI					
4G63 Lancer EVO 4-9	KPL008	48.00	1.889	22.00	
4B11 Lancer EVO 10	KPL045	55.00	2.165	23.00	
NISSAN					
350Z VQ35-V4Y	KPL006	55.00	2.165	22.00	
OPEL					
2.0Ltr. 16V C2.0 XE Turbo	KPL009	52.00	2.047	21.00	
2.4Ltr. CIH	KPL011	55.00	2.165	22.00	
PEUGEOT					
106 XSI 8V TU5J2	KPL019	48.66	1.915	18.00	
206 XS 1.6Ltr. 16V TU5JP4	KPL019	48.66	1.915	18.00	
106 Kit Car TU5J4	KPL030	48.70	1.917	18.00	
106 GTI S16 A TU5J4	KPL020	48.66	1.915	19.46	
206 S16 Super 1600 TU5JP4	KPL046 ¹⁾	48.66	1.916	18.00	
306 2.0Ltr. S16 XU10J4	KPL028	53.70	2.114	22.00	
306-RS 2.0Ltr. S16 XU10J4RS	KPL029	53.70	2.114	20.00	
206 RC 2.0Ltr. S16 EW10J4RS	KPL033	48.70	1.917	21.00	
PORSCHE					
911 2.4 / 2.7 / 3.0 Carrera / 3.0 Turbo	KPL035	56.00	2.205	22.00	
944 / 944 Turbo / 968, Cup, S2, S	KPL036	55.00	2.165	24.00	
RSR & 964	KPL048	58.01	2.284	23.00	
993 / 996 TT, 997 TT, GT2	KPL031	58.00	2.283	23.00	
RENAULT					
Clio Williams 2.0Ltr. 16V F7R	KPL021	51.59	2.031	21.00	
Clio RS 2.0Ltr. 16V F4R	KPL021	51.59	2.031	21.00	
R5 Turbo 840-30	KPL022	47.61	1.875	20.00	
R5 Alpine Turbo C6J726	KPL022	47.61	1.875	20.00	
R5 GT Turbo C1J760/C1J782	KPL022	47.61	1.875	20.00	

CONRODS



* Pleuel nur mit Wössner-Kolben einsetzen
Rods to be used with Wössner pistons only

	Between centres		Big end width		Small end width		Weight (g)	Quantity in kit	Price code
	mm	Inches	mm	Inches	mm	Inches	w/o bolts		
	150.00	5.905	26.40	1.039	26.40	1.039	541.00	4	D
	144.00	5.669	21.85	0.860	19.90	0.783	498.00	4	D
	144.20	5.677	20.80	0.818	20.80	0.818	523.00	6	E
	143.00	5.629	26.30	1.035	21.90	0.862	513.00	4	D
	134.00	5.275	24.80	0.976	24.80	0.976	492.00	4	D
	133.60	5.259	24.00	0.944	20.00	0.787	445.00	4	D
	133.60	5.259	24.00	0.944	20.00	0.787	445.00	4	D
	137.75	5.423	23.90	0.940	20.00	0.787	456.00	4	D
	133.60	5.259	24.00	0.944	20.00	0.787	441.00	4	D
	139.00	5.472	23.95	0.943	20.00	0.787	433.00	4	D
	152.00	5.984	24.20	0.952	19.10	0.751	540.00	4	D
	158.00	6.220	24.20	0.952	22.00	0.866	558.00	4	D
	139.00	5.472	24.10	0.948	19.10	0.751	470.00	4	D
	127.75	5.030	25.90	1.020	23.77	0.936	499.00	6	E
	150.00	5.905	28.80	1.133	26.30	1.035	662.00	4	D
	127.00	5.000	21.74	0.856	19.51	0.059	488.00	6	E
	127.00	5.000	18.90	0.744	19.51	0.059	462.00	6	E
	144.00	5.669	25.00	0.984	22.00	0.866	499.00	4	D
	144.00	5.669	25.00	0.984	22.00	0.866	499.00	4	D
	128.00	5.039	21.80	0.858	21.80	0.858	451.00	4	D
	128.00	5.039	21.80	0.858	21.80	0.858	451.00	4	D
	128.00	5.039	21.80	0.858	21.80	0.858	451.00	4	D

CONRODS



* Pleuel nur mit Wössner-Kolben einsetzen
Rods to be used with Wössner pistons only

Description	Article number	Big end diameter		G / Pin diameter
		mm	Inches	mm
SEAT				
2.0Ltr. 16V Turbo 9A/M1	KPL018	50.60	1.992	20.00
2.0Ltr. 16V Turbo ABF	KPL016	50.60	1.992	21.00
SUBARU				
Impreza (22B) EJ22	KPL024	55.00	2.165	23.00
Impreza Version 1, 2, 3, 4 1992-98 EJ20	KPL024	55.00	2.165	23.00
Impreza Version 5, 6 1998-2000 EJ20	KPL024	55.00	2.165	23.00
Impreza WRX STI Version 7, 8 2000-03 EJ205	KPL024	55.00	2.165	23.00
Impreza WRX STI Version 9 2003 up EJ205	KPL024	55.00	2.165	23.00
VOLVO				
SAAB B235 2.3Ltr.	KPL053	56.00	2.205	24.00
VOLKSWAGEN				
1.8Ltr. 16V Turbo KR, PL	KPL018	50.60	1.992	20.00
1.8Ltr. 20V Turbo	KPL018	50.60	1.992	20.00
2.0Ltr. 16V Turbo 9A	KPL018	50.60	1.992	20.00
1.8Ltr. 8V G60 PG	KPL038	50.60	1.992	22.00
2.0Ltr. 16V Turbo ABF	KPL016	50.60	1.992	21.00
2.0Ltr. 8V 2E	KPL016	50.60	1.992	21.00

CONRODS



* Pleuel nur mit Wössner-Kolben einsetzen
Rods to be used with Wössner pistons only

	Between centres		Big end width		Small end width		Weight (g)	Quantity in kit	Price code
	mm	Inches	mm	Inches	mm	Inches	w/o bolts		
	144.00	5.669	25.00	0.984	25.00	0.984	538.00	4	D
	159.00	6.259	24.90	0.980	20.00	0.787	564.00	4	D
	130.45	5.135	21.425	0.844	21.425	0.844	454.00	4	D
	130.45	5.135	21.425	0.844	21.425	0.844	454.00	4	D
	130.45	5.135	21.425	0.844	21.425	0.844	454.00	4	D
	130.45	5.135	21.425	0.844	21.425	0.844	454.00	4	D
	130.45	5.135	21.425	0.844	21.425	0.844	454.00	4	D
	153.00	6.024	26.40	1.039	26.40	1.039	655.00	4	
	144.00	5.669	25.00	0.984	25.00	0.984	538.00	4	D
	144.00	5.669	25.00	0.984	25.00	0.984	538.00	4	D
	144.00	5.669	25.00	0.984	25.00	0.984	538.00	4	D
	136.00	5.354	24.96	0.982	24.96	0.982	520.00	4	D
	159.00	6.259	24.90	0.980	20.00	0.787	564.00	4	D
	159.00	6.259	24.90	0.980	20.00	0.787	564.00	4	D

QUALITY ASSURANCE



Manufacturer of forged pistons

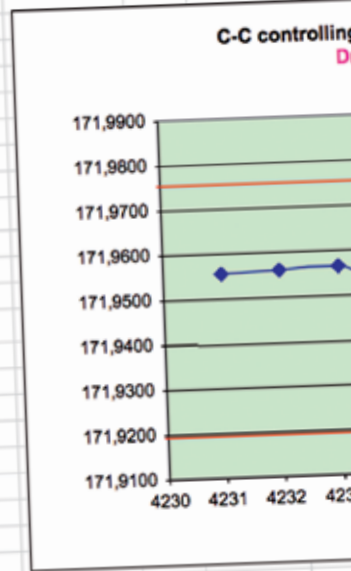
Control V1	Reference	171,9500
	Min	171,9200
	Max	171,9800
	Tolerance zone	0,0600

Measurement setup

∅ B/E	Reference	47,7900	
	Min	47,7900	23,895
	Max	47,8080	23,904

∅ G/PIN	Reference	20,0000	0,0200
	Min	20,0100	10,005
	Max	20,0300	10,015

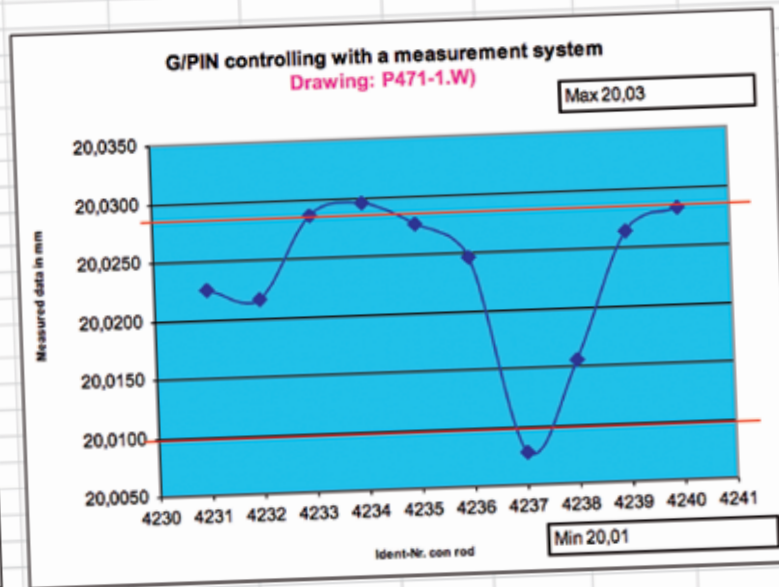
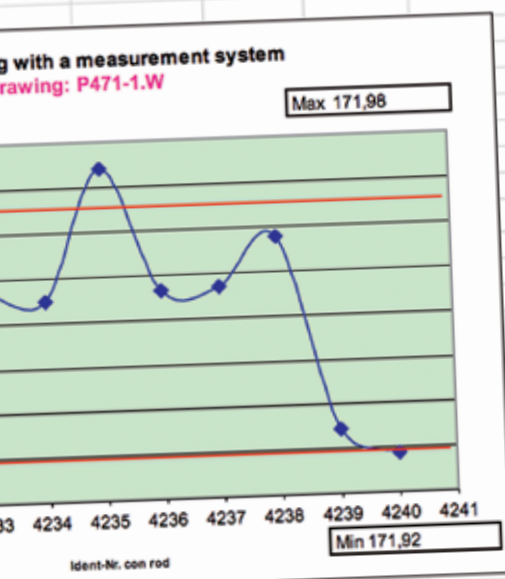
Calculation of tolerance zone				CB-CS
Smallest deflection and biggest bore			=	138,001
171,92	23,90	10,02		
Biggest deflection and smallest bore			=	138,080
171,98	23,90	10,01		
Final tolerance zone		0,079		



BASIS:	ZG	P471-1.W
Centralization		Control
1	8	Con rod
2	2	Con rod
3		Average of the actual-deflection
4		

WÖ-P	Ident-Nr.	Typ	ZE-P	Serial No.	gram	Weight group	C-C Actual value	Irr
			P471-1	1	486,5	1	171,9557	
40	P471-1	4231	Con rod Lancia	P471-1	2	486,2	1	171,9562
41	P471-1	4232	Con rod Lancia	P471-1	3	485,8	1	171,9567
42	P471-1	4233	Con rod Lancia	P471-1	4	486,3	1	171,9549
43	P471-1	4234	Con rod Lancia	P471-1	1	487,3	1	171,9842
44	P471-1	4235	Con rod Lancia	P471-1	2	485,4	1	171,9568
45	P471-1	4236	Con rod Lancia	P471-1	3	487,1	1	171,9572
46	P471-1	4237	Con rod Lancia	P471-1	4	484,8	1	171,9678
47	P471-1	4238	Con rod Lancia	P471-1	3	485,9	1	171,9245
48	P471-1	4239	Con rod Lancia	P471-1	4	486,4	1	171,9189
49	P471-1	4240	Con rod Lancia	P471-1				

Quality assurance



Actual deflection		171,9516	
171,9189		+	-
171,9842			
Zone	0,065	0,033	0,033
Control V1			
		IN	OUT
Irregularity at min.	Irregularity at max.	8	2
0,0357	-0,0243	1	
0,0362	-0,0238	1	
0,0367	-0,0233	1	
0,0349	-0,0251	1	
0,0642	0,0042		1
0,0368	-0,0232	1	
0,0372	-0,0228	1	
0,0478	-0,0122	1	
0,0045	-0,0655	1	
-0,0011	-0,0611		1

Centralization		ø G/PIN		0,0200	
9	Are in the allowed tolerance field from				
1	Are beyond the allowed tolerance field				
		ø G/PIN			
				IN	OUT
				9	1
Actual value G/PIN	Irregularity at min.	Irregularity at max.	9	1	Decision
20,0226	0,0126	-0,0074	1		F
20,0216	0,0116	-0,0084	1		F
20,0286	0,0186	-0,0014	1		F
20,0296	0,0196	-0,0004	1		F
20,0276	0,0176	-0,0024	1		F
20,0246	0,0146	-0,0054	1		F
20,0078	-0,0022	-0,0222		1	no F
20,0156	0,0056	-0,0144	1		F
20,0264	0,0164	-0,0036	1		F
20,0283	0,0183	-0,0017	1		F

Obwohl **FGM** ein verhältnismäßig junges Unternehmen ist, können wir auf einen großen Erfahrungsschatz unserer Mitarbeiter zurückgreifen.

*Even though **Forging Group Monale (FGM)** has been founded recently, their high quality production facility and knowledgeable staff have a high level of experience and technical ability in forging design and manufacturing.*



Das Schmieden ist ein sehr alter Arbeitsvorgang. Verschiedenartige Legierungen sind für diese Art von Verarbeitung geeignet. Die plastische Umformung, die durch diese Technik erzielt wird, ermöglicht die Herstellung von verschiedensten Teilen, die allesamt sehr hohen Belastungen standhalten, sehr kompakt sind und optimal weiterverarbeitet werden können.

Forging manufacturing is a technical production process. Aluminum alloys are especially adapted for this kind of processing. The plastic deformation obtained by this technique enables the manufacturing of lightweight Aluminum products to be capable of withstanding high level of stress and to be finish shaped in to unique forged components which are extremely compact and very easy to work with.

Wir verfügen über diverse Spindelpressen von 400 bis zu 1400 Tonnen, einer hydraulischen Presse von 2500 Tonnen sowie 2 weiteren hydraulischen Pressen von 1000 Tonnen.

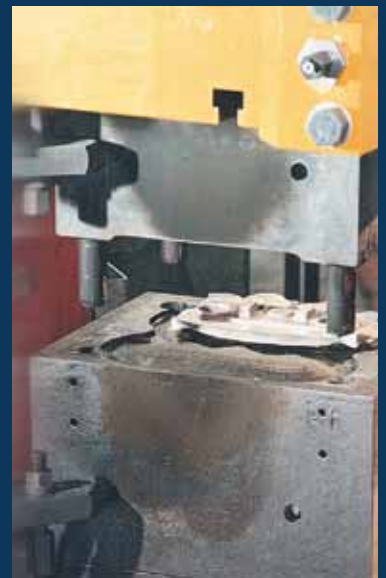
Jede Presse verfügt über ihren eigenen Ofen zum Vorheizen. Diverse vollautomatische Sägemaschinen, Wärmebehandlungsöfen und eine automatische Picklingmaschine komplettieren die Produktionsstraße.

Mit den oben angesprochenen Anlagen sind wir in der Lage, Aluminiumteile von ein paar Gramm bis hin zu mehreren Kilo Gewicht zu fertigen.

FGM has a wide range of screw presses from 400 to 1400 tons, one mechanical press of 2500 tons and two hydraulic presses of 1000 tons.

Each press has its own pre-heating oven, sawing machines, heat-treatment ovens and an automatic pickling center to complete the forging production process.

FGM can produce forgings in Aluminum alloy, from a few grams to several kilos of weight depending on the client's requirements and needs.





FGM unterliegt den Vorgaben von **UNI EN ISO 9001:2008**

*FGM follows the requirements of the Quality System of the Standard
UNI EN ISO 9001:2008*



FGM FORGING
GROUP
MONALE
S.r.l.

Member of Wössner Group



FORGING GROUP MONALE S.r.l.

Str. Castellero 18/20

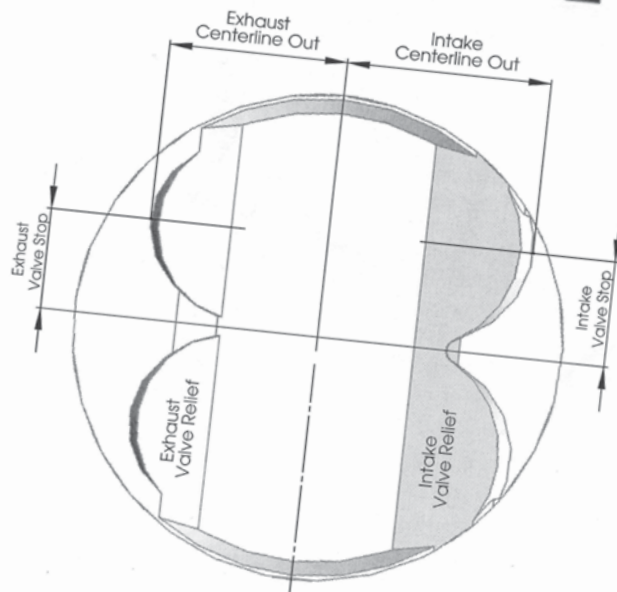
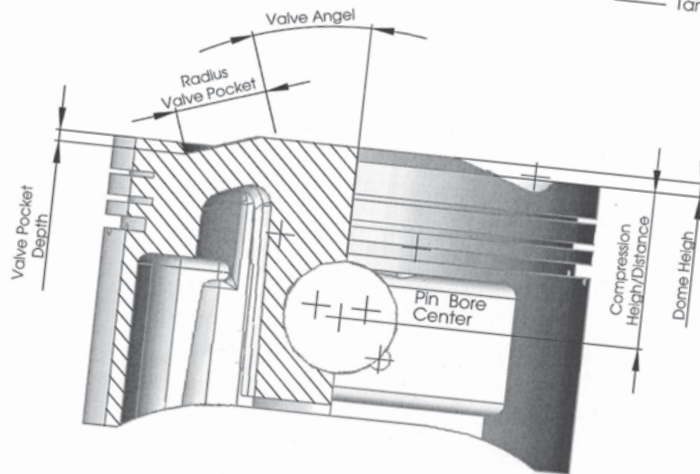
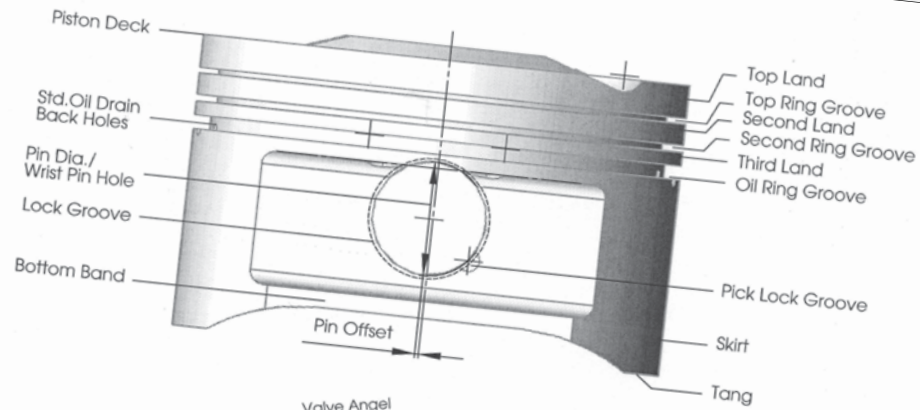
14013 MONALE D'ASTI (AT) - ITALY

Tel. +39 0141 669819

Fax +39 0141 669800

domenico.brachet@forging-group.com

PISTON TERMINOLOGY



GASKETS



The Cometic MLS gasket is comprised of three layers of Stainless Steel. Cometic uses Stainless steel for increased strength and its ability to rebound and corrosion resistance. The outer layers of the gasket are embossed and coated on both sides with a fluoroelastomer rubber based material (Viton) designed to meet the demands of a variety of harsh sealing environments, load conditions and surface finishes. The Viton coating is heat resistant to 250 degree or 482 F.

The center or shim layer of the gasket is comprised of an uncoated Stainless Steel layer, which can be varied to accommodate multiple thickness requirements. The MLS gasket is ideal for both aluminium heads to cast iron blocks and aluminium heads to aluminium blocks. No re-torque is necessary. By design the MLS gasket promotes an even torque load across the sealing surface allowing for measurable reduced bore distortion.

GASKETS



Description	Fits bore size (mm)	Long description (inches)	Thickness (inches)	Thickness (mm)	Stock code	Price code
BMW						
04-UP 4.4L V8	94.00	0.027" MLS 545.645.745, X5 4.4i	0.027	0.69	C4374-027	CG12
	94.00	0.051" MLS 545.645.745, X5 4.4i	0.051	1.30	C4374-051	CG12
M30/B25 M30/B28 1973-1981	88.00	0.051" 525i.528i.728i	0.051	1.30	C4475-051	CG19
	88.00	0.070" MLS-5 525i.528i.728i	0.070	1.78	C4475-070	CG19
	88.00	0.080" MLS-5 525i.528i.728i	0.080	2.03	C4475-080	CG19
MINI COOPER	78.50	0.027" MLS HEAD GASKET	0.027	0.69	C4308-027	CG7
	78.50	0.030" MLS HEAD GASKET	0.030	0.76	C4308-030	CG7
	78.50	0.036" MLS HEAD GASKET	0.036	0.91	C4308-036	CG7
	78.50	0.040" MLS HEAD GASKET	0.040	1.02	C4308-040	CG7
	78.50	0.051" MLS HEAD GASKET	0.051	1.30	C4308-051	CG7
	78.50	0.066" MLS-5 HEAD GASKET	0.066	1.68	C4308-066	CG9
	78.50	0.120" MLS HEAD GASKET	0.120	3.05	C4308-120	CG17
S50B30/B32 EURO ONLY	87.00	0.027" MLS M3/Z3/M COUPE 92-00	0.027	0.69	C4508-027	CG18
	87.00	0.040" MLS M3/Z3/M COUPE 92-00	0.040	1.02	C4508-040	CG18
	87.00	0.045" MLS M3/Z3/M COUPE 92-00	0.045	1.14	C4508-045	CG18
	87.00	0.051" MLS M3/Z3/M COUPE 92-00	0.051	1.30	C4508-051	CG18
	87.00	0.056" MLS-5 M3/Z3/M CPE 92-00	0.056	1.42	C4508-056	CG19
	87.00	0.060" MLS-5 M3/Z3/M CPE 92-00	0.060	1.52	C4508-060	CG19
	87.00	0.066" MLS-5 M3/Z3/M CPE 92-00	0.066	1.68	C4508-066	CG19
	87.00	0.070" MLS-5 M3/Z3/M CPE 92-00	0.070	1.78	C4508-070	CG19
	87.00	0.075" MLS-5 M3/Z3/M CPE 92-00	0.075	1.91	C4508-075	CG19
	87.00	0.080" MLS-5 M3/Z3/M CPE 92-00	0.080	2.03	C4508-080	CG19
	87.00	0.098" MLS-5 M3/Z3/M CPE 92-00	0.098	2.49	C4508-098	CG19
	87.00	0.120" MLS M3/Z3/M COUPE 92-00	0.120	3.05	C4508-120	CG20
	87.00	0.140" MLS M3/Z3/M COUPE 92-00	0.140	3.56	C4508-140	CG22
S54 3.2L 2000 UP	87.50	0.027" MLS M3, Z3, Z4 M	0.027	0.69	C4505-027	CG14
	87.50	0.030" MLS M3, Z3, Z4 M	0.030	0.76	C4505-030	CG14
	87.50	0.036" MLS M3, Z3, Z4 M	0.036	0.91	C4505-036	CG14
	87.50	0.040" MLS M3, Z3, Z4 M	0.040	1.02	C4505-040	CG14
	87.50	0.060" MLS-5 M3, Z3, Z4 M	0.060	1.52	C4505-060	CG16
	87.50	0.070" MLS-5 M3, Z3, Z4 M	0.070	1.78	C4505-070	CG16
	87.50	0.080" MLS-5 M3, Z3, Z4 M	0.080	2.03	C4505-080	CG17
	87.50	0.086" MLS-5 M3, Z3, Z4 M	0.086	2.18	C4505-086	CG17
	87.50	0.092" MLS-5 M3, Z3, Z4 M	0.092	2.34	C4505-092	CG17
	87.50	0.050" MLS-5 M3, Z3, Z4 M	0.050	1.27	C4505-050	CG18
S85B50 V-10	93.00	0.027" MLS HEAD GASKET	0.027	0.69	C4528-027	CG11
	94.50	0.027" MLS HEAD GASKET	0.027	0.69	C4529-027	CG11

GASKETS



Description	Fits bore size (mm)	Long description (inches)	Thickness (inches)	Thickness (mm)	Stock code	Price code
FERRARI						
308 V8 2 VALVE	81.00	0.045" MLS HEAD GASKET	0.045	1.14	C4430-045	CG12
	89.00	0.045" MLS HEAD GASKET	0.045	1.14	C4395-045	CG12
308/328 4 VALVE	83.00	0.045" MLS HEAD GASKET	0.045	1.14	C4428-045	CG12
	83.00	0.060" MLS-5 HEAD GASKET	0.060	1.52	C4428-060	CG14
	89.00	0.045" MLS HEAD GASKET	0.045	1.14	C4429-045	CG12
FORD						
COSWORTH 4 VALVE FVC/FVA	87.00	0.030" MLS HEAD GASKET	0.030	0.76	C4138-030	CG7
	87.00	0.040" MLS HEAD GASKET	0.040	1.02	C4138-040	CG7
	87.00	0.051" MLS HEAD GASKET	0.051	1.30	C4138-051	CG7
	87.00	0.066" MLS HEAD GASKET	0.066	1.68	C4138-066	CG9
	88.00	0.040 MLS HEAD GASKET	0.040	1.02	C4135-040	CG7
	88.00	0.045" MLS HEAD GASKET	0.045	1.14	C4135-045	CG7
	88.00	0.051" MLS HEAD GASKET	0.051	1.30	C4135-051	CG7
	88.00	0.050" MLS- 5 LAYER GASKET	0.050	1.27	C4135-050	CG9
COSWORTH BDG 2L DOHC	91.00	0.030" MLS HEAD GASKET	0.030	0.76	C4494-030	CG7
	91.00	0.036" MLS HEAD GASKET	0.036	0.91	C4494-036	CG7
	91.00	0.040" MLS HEAD GASKET	0.040	1.02	C4494-040	CG7
	91.00	0.051" MLS HEAD GASKET	0.051	1.30	C4494-51	CG7
	91.00	0.040 ,HP' MLS HEAD GASKET	0.040	1.02	C4316-040	CG10
	91.00	0.054 ,HP' MLS HEAD GASKET	0.054	1.37	C4316-054	CG10
COSWORTH YB	92.50	0.070" GPA MLS-5 LAYER HEAD	0.070	1.78	C4350-070	CG9
	92.50	0.075" GPA MLS-5 LAYER HEAD	0.075	1.91	C4350-075	CG9
	92.50	0.080" GPA MLS-5 HEAD GASKET	0.080	2.03	C4350-080	CG10
	92.50	0.098" GPA MLS-5 HEAD GASKET	0.098	2.49	C4350-098	CG10
	92.50	0.051" MLS PERFORMANCE GROUP A	0.051	1.30	C4350-051	CG7
	92.50	0.060" MLS-5 GPA GASKET	0.060	1.52	C4350-060	CG9
	92.50	0.066" MLS-5 GPA GASKET	0.066	1.68	C4350-066	CG9
	92.50	0.120" GPA 3 LAYER GASKET	0.120	3.05	C4350-120	CG17
FOCUS / CONTOUR / ZX2	87.00	0.027" MLS 2L-ZETEC HEAD GASKET	0.027	0.69	C4279-027	CG6
	87.00	0.030" MLS 2L-ZETEC HEAD GASKET	0.030	0.76	C4279-030	CG6
	87.00	0.036" MLS 2L-ZETEC HEAD GASKET	0.036	0.91	C4279-036	CG6
	87.00	0.040" MLS 2L-ZETEC HEAD GASKET	0.040	1.02	C4279-040	CG6
	87.00	0.045" MLS 2L-ZETEC HEAD GASKET	0.045	1.14	C4279-045	CG6
	87.00	0.051" MLS 2L-ZETEC HEAD GASKET	0.051	1.30	C4279-051	CG6

GASKETS



Description	Fits bore size (mm)	Long description (inches)	Thickness (inches)	Thickness (mm)	Stock code	Price code
FORD						
FOCUS / CONTOUR / ZX2	87.00	0.040" MLS 2L-ZETEC HEAD GASKET	0.040	1.02	C4280-040	CG6
	87.00	0.051" MLS 2L-ZETEC HEAD GASKET	0.051	1.30	C4280-051	CG6
	87.00	0.060" MLS-5 2L-ZETEC HEAD GSKT	0.060	1.52	C4279-060	CG9
	87.00	0.066" MLS-5 2L-ZETEC HEAD GSKT	0.066	1.68	C4279-066	CG9
	87.00	0.070" MLS-5 2L-ZETEC GASKET	0.070	1.78	C4279-070	CG9
	87.00	0.060" MLS 2L-ZETEC HEAD GASKET	0.060	1.52	C4280-060	CG9
	87.00	0.070" MLS 2L-ZETEC HEAD GASKET	0.070	1.78	C4280-070	CG9
	87.00	0.080" MLS-5 2L-ZETEC GASKET	0.080	2.03	C4279-080	CG10
	87.00	0.084" MLS-5 2L-ZETEC GASKET	0.084	2.13	C4279-084	CG10
	87.00	0.098" MLS-5 2L-ZETEC GASKET	0.098	2.49	C4279-098	CG10
PINTO SOHC 2L	92.50	0.027" MLS STANDARD HEAD GASKET	0.027	0.69	C4218-027	CG7
	92.50	0.030" MLS STANDARD HEAD GASKET	0.030	0.76	C4218-030	CG7
	92.50	0.036" MLS STANDARD HEAD GASKET	0.036	0.91	C4218-036	CG7
	92.50	0.040" MLS STANDARD HEAD GASKET	0.040	1.02	C4218-040	CG7
	92.50	0.045" MLS STANDARD HEAD GASKET	0.045	1.14	C4218-045	CG7
	92.50	0.056" MLS-5 GPA GASKET	0.056	1.42	C4218-056	CG9
	92.50	0.060" MLS-5 GPA GASKET	0.060	1.52	C4218-060	CG9
	92.50	0.066" MLS-5 GPA GASKET	0.066	1.68	C4218-066	CG9
	92.50	0.080" MLS-5 GASKET	0.080	2.03	C4218-080	CG10
	92.50	0.092" MLS-5 GASKET	0.092	2.34	C4218-092	CG10
92.50	0.120" MLS STANDARD HEAD GASKET	0.120	3.05	C4218-120	CG17	
COSWORTH PINTO DOHC	92.50	0.051" MLS STANDARD HEAD GASKET	0.051	1.30	C4218-051	CG7
COSWORTH PINTO/YB	92.50	0.027" MLS STANDARD HEAD GASKET	0.027	0.69	C4350-027	CG7
	92.50	0.030" MLS STANDARD HEAD GASKET	0.030	0.76	C4350-030	CG7
	92.50	0.036" MLS STANDARD HEAD GASKET	0.036	0.91	C4350-036	CG7
	92.50	0.040" MLS STANDARD HEAD GASKET	0.040	1.02	C4350-040	CG7
	92.50	0.045" MLS STANDARD HEAD GASKET	0.045	1.14	C4350-045	CG7
COSWORTH YB 2L	92.50	0.040" MLS GROUP A- W/BORE SHIM	0.040	1.02	C4219-040	CG11
	92.50	0.054" MLS GROUP A- W/BORE SHIM	0.054	1.37	C4219-054	CG11
HONDA						
CIVIC 1.7L D17A1	76.00	0.056" MLS-5 HEAD GASKET	0.056	1.42	C4474-056	CG9
	76.00	0.075" MLS-5 HEAD GASKET	0.075	1.91	C4474-075	CG9

GASKETS



Description	Fits bore size (mm)	Long description (inches)	Thickness (inches)	Thickness (mm)	Stock code	Price code
HONDA						
CIVIC 1.7L D171	76.00	0.027" MLS HEAD D17	0.027	0.69	C4474-027	CG7
	76.00	0.030" MLS HEAD D17	0.030	0.76	C4474-030	CG7
	76.00	0.036" MLS HEAD D17	0.036	0.91	C4474-036	CG7
	76.00	0.040" MLS HEAD D17	0.040	1.02	C4474-040	CG7
	76.00	0.045" MLS HEAD D17	0.045	1.14	C4474-045	CG7
	76.00	0.051" MLS HEAD D17	0.051	1.30	C4474-051	CG7
	76.00	0.120" MLS HEAD D17	0.120	3.05	C4474-120	CG17
	77.00	0.027" MLS HEAD D17	0.027	0.69	C4473-027	CG7
	79.00	0.027" MLS HEAD D17	0.027	0.69	C4471-027	CG7
CIVIC, CRX SI SOHC	78.00	0.030" MLS HEAD D15/16	0.030	0.76	C4167-030	CG7
	78.00	0.036" MLS HEAD D15/16	0.036	0.91	C4167-036	CG7
	78.00	0.040" MLS HEAD D15/16	0.040	1.02	C4167-040	CG7
	78.00	0.051" MLS HEAD D15/16	0.051	1.30	C4167-051	CG8
	75.50	0.027" MLS HEAD D15/16	0.027	0.69	C4251-027	CG7
	75.50	0.030" MLS HEAD D15/16	0.030	0.76	C4251-030	CG7
	75.50	0.036" MLS HEAD D15/16	0.036	0.91	C4251-036	CG7
	75.50	0.040" MLS HEAD D15/16	0.040	1.02	C4251-040	CG7
	75.50	0.045" MLS HEAD D15/16	0.045	1.14	C4251-045	CG7
	75.50	0.051" MLS HEAD D15/16	0.051	1.30	C4251-051	CG7
	75.50	0.060" MLS-5 HEAD D15/16	0.060	1.52	C4251-060	CG9
	75.50	0.066" MLS-5 HEAD D15/16	0.066	1.68	C4251-066	CG9
	75.50	0.070" MLS-5 HEAD D15/16	0.070	1.78	C4251-070	CG9
	75.50	0.075" MLS-5 HEAD D15/16	0.075	1.91	C4251-075	CG9
	75.50	0.080" MLS-5 HEAD D15/16	0.080	2.03	C4251-080	CG10
	75.50	0.084" MLS-5 HEAD D15/16	0.084	2.13	C4251-084	CG10
	75.50	0.086" MLS-5 HEAD D15/16	0.086	2.18	C4251-086	CG10
	75.50	0.095" MLS-5 HEAD D15/16	0.095	2.41	C4251-095	CG10
	75.50	0.098" MLS-5 HEAD D15/16	0.098	2.49	C4251-098	CG10
	75.50	0.120" MLS HEAD D15/16	0.120	3.05	C4251-120	CG17
	76.00	0.120" MLS HEAD D15/16	0.120	3.05	C4195-120	CG17
	76.00	0.027" MLS HEAD D15/16	0.027	0.69	C4195-027	CG7
	76.00	0.030" MLS HEAD D15/16	0.030	0.76	C4195-030	CG7
	76.00	0.036" MLS HEAD D15/16	0.036	0.91	C4195-036	CG7
76.00	0.040" MLS HEAD D15/16	0.040	1.02	C4195-040	CG7	

GASKETS



Description	Fits bore size (mm)	Long description (inches)	Thickness (inches)	Thickness (mm)	Stock code	Price code
HONDA						
CIVIC, CRX SI SOHC	76.00	0.045" MLS HEAD D15/16	0.045	1.14	C4195-045	CG7
	76.00	0.051" MLS HEAD D15/16	0.051	1.30	C4195-051	CG7
	76.00	0.060" MLS-5 HEAD D15/16	0.060	1.52	C4195-060	CG9
	76.00	0.066" MLS-5 HEAD D15/16	0.066	1.68	C4195-066	CG9
	76.00	0.070" MLS-5 HEAD D15/16	0.070	1.78	C4195-070	CG9
	76.00	0.075" MLS-5 HEAD D15/16	0.075	1.91	C4195-075	CG9
	76.00	0.080" MLS-5 HEAD D15/16	0.080	2.03	C4195-080	CG10
	76.00	0.098" MLS-5 HEAD D15/16	0.098	2.49	C4195-098	CG10
	77.00	0.027" MLS HEAD D15/16	0.027	0.69	C4196-027	CG7
	77.00	0.030" MLS HEAD D15/16	0.030	0.76	C4196-030	CG7
	77.00	0.036" MLS HEAD D15/16	0.036	0.91	C4196-036	CG7
	77.00	0.040" MLS HEAD D15/16	0.040	1.02	C4196-040	CG7
	77.00	0.051" MLS HEAD D15/16	0.051	1.30	C4196-051	CG7
	78.00	0.070" MLS-5 HEAD D15/16	0.070	1.78	C4167-070	CG9
	78.00	0.098" MLS-5 HEAD D15/16	0.098	2.49	C4167-098	CG10
	79.00	0.030" MLS HEAD D15/16	0.030	0.76	C4197-030	CG7
	79.00	0.036" MLS HEAD D15/16	0.036	0.91	C4197-036	CG7
	79.00	0.040" MLS HEAD D15/16	0.040	1.02	C4197-040	CG7
	79.00	0.045" MLS HEAD D15/16	0.045	1.14	C4197-045	CG7
	79.00	0.051" MLS HEAD D15/16	0.051	1.30	C4197-051	CG7
CRV 1997-2002	85.00	0.027" MLS HEAD, B20 MOTOR	0.027	0.69	C4250-027	CG7
	85.00	0.030" MLS HEAD, B20 MOTOR	0.030	0.76	C4250-030	CG7
	85.00	0.036" MLS HEAD, B20 MOTOR	0.036	0.91	C4250-036	CG7
	85.00	0.040" MLS HEAD, B20 MOTOR	0.040	1.02	C4250-040	CG7
	85.00	0.045" MLS HEAD, B20 MOTOR	0.045	1.14	C4250-045	CG7
	85.00	0.051" MLS HEAD, B20 MOTOR	0.051	1.30	C4250-051	CG7
	85.00	0.060" MLS-5 HEAD, B20 MOTOR	0.060	1.52	C4250-060	CG9
	85.00	0.075" MLS-5 HEAD, B20 MOTOR	0.075	1.91	C4250-075	CG9
	85.00	0.080" MLS-5 HEAD, B20 MOTOR	0.080	2.03	C4250-080	CG10
	85.00	0.120" MLS HEAD, B20 MOTOR	0.120	3.05	C4250-120	CG17
CRX,CIVIC INTG-VTEC	81.50	0.027" MLS HEAD	0.027	0.69	C4232-027	CG7
	81.50	0.036" MLS HEAD	0.036	0.91	C4232-036	CG7
	81.50	0.040" MLS HEAD	0.040	1.02	C4232-040	CG7
	81.50	0.045" MLS HEAD	0.045	1.14	C4232-045	CG7

GASKETS



Description	Fits bore size (mm)	Long description (inches)	Thickness (inches)	Thickness (mm)	Stock code	Price code
HONDA						
CRX,CIVIC INTG-VTEC	81.50	0.051" MLS HEAD	0.051	1.30	C4232-051	CG7
	81.50	0.060" MLS-5 HEAD	0.060	1.52	C4232-060	CG9
	81.50	0.066" MLS-5 HEAD	0.066	1.68	C4232-066	CG9
	81.50	0.070" MLS-5 HEAD	0.070	1.78	C4232-070	CG9
	81.50	0.075" MLS-5 HEAD	0.075	1.91	C4232-075	CG9
	81.50	0.080" MLS-5 HEAD	0.080	2.03	C4232-080	CG10
	81.50	0.095" MLS-5 HEAD	0.095	2.41	C4232-095	CG10
	81.50	0.098" MLS-5 HEAD	0.098	2.49	C4232-098	CG10
	81.50	0.120" MLS HEAD	0.120	3.05	C4232-120	CG17
	81.50	0.140" MLS HEAD	0.140	3.56	C4232-140	CG17
	81.00	0.027" MLS HEAD	0.027	0.69	C4231-027	CG7
	81.00	0.036" MLS HEAD	0.036	0.91	C4231-036	CG7
	81.00	0.040" MLS HEAD	0.040	1.02	C4231-040	CG7
	81.00	0.045" MLS HEAD	0.045	1.14	C4231-045	CG7
	81.00	0.051" MLS HEAD	0.051	1.30	C4231-051	CG7
	81.00	0.056" MLS-5 HEAD	0.056	1.42	C4231-056	CG9
	81.00	0.060" MLS-5 HEAD	0.060	1.52	C4231-060	CG9
	81.00	0.066" MLS-5 HEAD	0.066	1.68	C4231-066	CG9
	81.00	0.070" MLS-5 HEAD	0.070	1.78	C4231-070	CG9
	81.00	0.075" MLS-5 HEAD	0.075	1.91	C4231-075	CG9
	81.00	0.080" MLS-5 HEAD	0.080	2.03	C4231-080	CG10
	81.00	0.089" MLS-5 HEAD	0.089	2.26	C4231-089	CG10
	81.00	0.098" MLS-5 HEAD	0.098	2.49	C4231-098	CG10
	81.00	0.120" MLS HEAD	0.120	3.05	C4231-120	CG17
	82.00	0.018" MLS HEAD	0.018	0.46	C4168-018	CG7
	82.00	0.080" MLS-5 HEAD	0.080	2.03	C4168-080	CG10
	82.00	0.086" MLS-5 HEAD	0.086	2.18	C4168-086	CG10
	82.00	0.098" MLS-5 HEAD	0.098	2.49	C4168-098	CG10
	83.00	0.027" MLS HEAD	0.027	0.69	C4189-027	CG7
	83.00	0.040" MLS HEAD	0.040	1.02	C4189-040	CG7
	83.00	0.045" MLS HEAD	0.045	1.14	C4189-045	CG7
	83.00	0.051" MLS HEAD	0.051	1.30	C4189-051	CG7
	83.00	0.060" MLS-5 HEAD	0.060	1.52	C4189-060	CG9

GASKETS



Description	Fits bore size (mm)	Long description (inches)	Thickness (inches)	Thickness (mm)	Stock code	Price code
HONDA						
CRX,CIVIC INTG-VTEC	83.00	0.062" MLS-5 HEAD	0.062	1.57	C4189-062	CG9
	83.00	0.075" MLS-5 HEAD	0.075	1.91	C4189-075	CG9
	83.00	0.112" MLS HEAD	0.112	2.84	C4189-112	CG17
	83.00	0.120" MLS HEAD	0.120	3.05	C4189-120	CG17
	83.00	0.140" MLS HEAD	0.140	3.56	C4189-140	CG17
	84.00	0.027" MLS HEAD	0.027	0.69	C4188-027	CG7
	84.00	0.036" MLS HEAD	0.036	0.91	C4188-036	CG7
	84.00	0.040" MLS HEAD	0.040	1.02	C4188-040	CG7
	84.00	0.045" MLS HEAD	0.045	1.14	C4188-045	CG7
	84.00	0.051" MLS HEAD	0.051	1.30	C4188-051	CG7
	84.00	0.056" MLS-5 HEAD	0.056	1.42	C4188-056	CG9
	84.00	0.060" MLS-5 HEAD	0.060	1.52	C4188-060	CG9
	84.00	0.066" MLS-5 HEAD	0.066	1.68	C4188-066	CG9
	84.00	0.070" MLS-5 HEAD	0.070	1.78	C4188-070	CG9
	84.00	0.075" MLS-5 HEAD	0.075	1.91	C4188-075	CG9
	84.00	0.092" MLS-5 HEAD	0.092	2.34	C4188-092	CG10
	84.00	0.098" MLS-5 HEAD	0.098	24.89	C4188-098	CG10
	84.00	0.120" MLS HEAD	0.120	3.05	C4188-120	CG17
	84.00	0.140" MLS HEAD	0.140	3.56	C4188-140	CG17
	85.00	0.027" MLS HEAD	0.027	0.69	C4182-027	CG7
	85.00	0.036" MLS HEAD	0.036	0.91	C4182-036	CG7
	85.00	0.040" MLS HEAD	0.040	1.02	C4182-040	CG7
	85.00	0.045" MLS HEAD	0.045	1.14	C4182-045	CG7
	85.00	0.051" MLS HEAD	0.051	1.30	C4182-051	CG7
	85.00	0.060" MLS-5 HEAD	0.060	1.52	C4182-060	CG9
	85.00	0.066" MLS-5 HEAD	0.066	1.68	C4182-066	CG9
	85.00	0.070" MLS-5 HEAD	0.070	1.78	C4182-070	CG9
	85.00	0.075" MLS-5 HEAD	0.075	1.91	C4182-075	CG9
	85.00	0.080" MLS-5 HEAD	0.080	2.03	C4182-080	CG10
	85.00	0.098" MLS-5 HEAD	0.098	2.49	C4182-098	CG10
	85.00	0.120" MLS HEAD	0.120	3.05	C4182-120	CG17
	85.00	0.140" MLS HEAD	0.140	3.56	C4182-140	CG17
	82.00	0.027" MLS HEAD	0.027	0.69	C4168-027	CG7
	82.00	0.030" MLS, HEAD GASKET	0.030	0.76	C4168-030	CG7

GASKETS



Description	Fits bore size (mm)	Long description (inches)	Thickness (inches)	Thickness (mm)	Stock code	Price code
HONDA						
CRX,CIVIC INTG-VTEC	82.00	0.036" MLS HEAD	0.036	0.91	C4168-036	CG7
	82.00	0.040" MLS HEAD	0.040	1.02	C4168-040	CG7
	82.00	0.045" MLS HEAD	0.045	1.14	C4168-045	CG7
	82.00	0.051" MLS HEAD	0.051	1.30	C4168-051	CG7
	82.00	0.060" MLS-5 HEAD	0.060	1.52	C4168-060	CG9
	82.00	0.066" MLS-5 HEAD	0.066	1.68	C4168-066	CG9
	82.00	0.070" MLS-5 HEAD	0.070	1.78	C4168-070	CG9
	82.00	0.075" MLS-5 HEAD	0.075	1.91	C4168-075	CG9
	82.00	0.120" MLS HEAD	0.120	3.05	C4168-120	CG17
	81.50	0.030" MLS, HEAD GASKET	0.030	0.76	C4232-030	CG7
	81.00	0.030" MLS, HEAD GASKET	0.030	0.76	C4231-030	CG7
	83.00	0.030" MLS, HEAD GASKET	0.030	0.76	C4189-030	CG7
	83.00	0.036" MLS, HEAD GASKET	0.036	0.91	C4189-036	CG7
	84.00	0.030" MLS, HEAD GASKET	0.030	0.76	C4188-030	CG7
	85.00	0.030" MLS, HEAD GASKET	0.030	0.76	C4182-030	CG7
D15B1-2-7/D16A6-7	75.50	0.030" MLS SOHC ZC HEAD GASKET	0.030	0.76	C4117-030	CG7
	75.50	0.036" MLS SOHC ZC HEAD GASKET	0.036	0.91	C4117-036	CG7
	75.50	0.040" MLS SOHC ZC HEAD GASKET	0.040	1.02	C4117-040	CG7
	75.50	0.051" MLS SOHC ZC HEAD GASKET	0.051	1.30	C4117-051	CG7
	75.50	0.056" MLS-5 SOHC ZC	0.056	1.42	C4117-056	CG9
	75.50	0.065" MLS-5 SOHC ZC	0.065	1.65	C4117-065	CG9
	75.50	0.140" MLS HEAD SOHC ZC	0.140	3.56	C4117-140	CG17
	76.00	0.030" MLS SOHC ZC HEAD GASKET	0.030	0.76	C4118-030	CG7
	76.00	0.040" MLS SOHC ZC HEAD GASKET	0.040	1.02	C4118-040	CG7
	76.00	0.045" MLS SOHC ZC HEAD GASKET	0.045	1.14	C4118-045	CG7
	76.00	0.051" MLS SOHC ZC HEAD GASKET	0.051	1.30	C4118-051	CG7
	76.00	0.075" MLS-5 SOHC ZC HEAD	0.075	1.91	C4118-075	CG9
	77.00	0.030" MLS SOHC ZC HEAD GASKET	0.030	0.76	C4119-030	CG7
	77.00	0.040" MLS SOHC ZC HEAD GASKET	0.040	1.02	C4119-040	CG7
	78.00	0.030" MLS SOHC ZC HEAD GASKET	0.030	0.76	C4120-030	CG7
	78.00	0.051" MLS SOHC ZC HEAD GASKET	0.051	1.30	C4120-051	CG7
	78.00	0.060" MLS SOHC ZC HEAD GASKET	0.060	1.52	C4120-060	CG9
	79.00	0.030" MLS SOHC ZC HEAD GASKET	0.030	0.76	C4121-030	CG7
	79.00	0.040" MLS SOHC ZC HEAD GASKET	0.040	1.02	C4121-040	CG7

GASKETS



Description	Fits bore size (mm)	Long description (inches)	Thickness (inches)	Thickness (mm)	Stock code	Price code
HONDA						
D16A1/2/8/9	75.50	0.027" MLS DOHC ZC HEAD GASKET	0.027	0.69	C4522-027	CG7
	75.50	0.030" MLS DOHC ZC HEAD GASKET	0.030	0.76	C4522-030	CG7
	75.50	0.036" MLS DOHC ZC HEAD GASKET	0.036	0.91	C4522-036	CG7
	75.50	0.040" MLS DOHC ZC HEAD GASKET	0.040	1.02	C4522-040	CG7
	75.50	0.045" MLS DOHC ZC HEAD GASKET	0.045	1.14	C4522-045	CG7
	75.50	0.051" MLS DOHC ZC HEAD GASKET	0.051	1.30	C4522-051	CG7
	75.50	0.050" MLS-5 DOHC ZC HEAD GSKT	0.050	1.27	C4522-050	CG9
	75.50	0.060" MLS-5 DOHC ZC HEAD GSKT	0.060	1.52	C4522-060	CG9
	75.50	0.075" MLS-5 DOHC ZC HEAD GSKT	0.075	1.91	C4522-075	CG9
	75.50	0.080" MLS-5 DOHC ZC HEAD GSKT	0.080	2.03	C4522-080	CG10
	76.00	0.027" MLS DOHC ZC HEAD GASKET	0.027	0.69	C4524-027	CG7
	76.00	0.030" MLS DOHC ZC HEAD GASKET	0.030	0.76	C4524-030	CG7
	76.00	0.040" MLS DOHC ZC HEAD GASKET	0.040	1.02	C4524-040	CG7
	76.00	0.045" MLS DOHC ZC HEAD GASKET	0.045	1.14	C4524-045	CG7
	76.00	0.051" MLS DOHC ZC HEAD GASKET	0.051	1.30	C4524-051	CG7
	76.00	0.080" MLS-5 DOHC ZC HEAD GSKT	0.080	2.03	C4524-080	CG10
	76.00	0.120" MLS DOHC ZC HEAD GASKET	0.120	3.05	C4524-120	CG17
	77.00	0.030" MLS DOHC ZC HEAD GASKET	0.030	0.76	C4525-030	CG7
	78.00	0.030" MLS DOHC ZC HEAD GASKET	0.030	0.76	C4526-030	CG7
	78.00	0.040" MLS DOHC ZC HEAD GASKET	0.040	1.02	C4526-040	CG7
78.00	0.051" MLS DOHC ZC HEAD GASKET	0.051	1.30	C4526-051	CG7	
F20C S2000 THRU 2003	89.00	0.027" MLS 2.0L HEAD GASKET	0.027	0.69	C4335-027	CG7
	89.00	0.030" MLS 2.0L HEAD GASKET	0.030	0.76	C4335-030	CG7
	89.00	0.036" MLS 2.0L HEAD GASKET	0.036	0.91	C4335-036	CG7
	89.00	0.040" MLS 2.0L HEAD GASKET	0.040	1.02	C4335-040	CG7
	89.00	0.045" MLS 2.0L HEAD GASKET	0.045	1.14	C4335-045	CG7
	89.00	0.051" MLS 2.0L HEAD GASKET	0.051	1.30	C4335-051	CG7
	89.00	0.060" MLS-5 2.0L HEAD GASKET	0.060	1.52	C4335-060	CG9
	89.00	0.075" MLS-5 2.0L HEAD GASKET	0.075	1.91	C4335-075	CG9
	89.00	0.080" MLS-5 2.0L HEAD GASKET	0.080	2.03	C4335-080	CG10
	89.00	0.086" MLS-5 2.0L HEAD GASKET	0.086	2.18	C4335-086	CG10
	89.00	0.098" MLS-5 2.0L HEAD GASKET	0.098	24.89	C4335-098	CG10
	89.00	0.120" MLS 2.0L HEAD GASKET	0.120	3.05	C4335-120	CG17

GASKETS



Description	Fits bore size (mm)	Long description (inches)	Thickness (inches)	Thickness (mm)	Stock code	Price code
HONDA						
HYBRID LS/CRV-VTEC	84.50	0.027"MLS B18/B20 W/VTEC HEAD	0.027	0.69	C4241-027	CG7
	84.50	0.030"MLS B18/B20 W/VTEC HEAD	0.030	0.76	C4241-030	CG7
	84.50	0.036"MLS B18/B20 W/VTEC HEAD	0.036	0.91	C4241-036	CG7
	84.50	0.040"MLS B18/B20 W/VTEC HEAD	0.040	1.02	C4241-040	CG7
	84.50	0.045" MLS B18/B20 W/VTEC HEAD	0.045	1.14	C4241-045	CG7
	84.50	0.051" MLS B18/B20 W/VTEC HEAD	0.051	1.30	C4241-051	CG7
	84.50	0.060"MLS-5 B18/B20 W/VTEC HEAD	0.060	1.52	C4241-060	CG9
	84.50	0.070"MLS-5 B18/B20 W/VTEC HEAD	0.070	1.78	C4241-070	CG9
	84.50	0.075"MLS-5 B18/B20 W/VTEC HEAD	0.075	1.91	C4241-075	CG9
	84.50	0.080"MLS-5 B18/B20 W/VTEC HEAD	0.080	2.03	C4241-080	CG10
	84.50	0.098"MLS-5 B18/B20 W/VTEC HEAD	0.098	2.49	C4241-098	CG10
	84.00	0.092" MLS B18/B20 W/VTEC HEAD	0.092	2.34	C4193-092	CG10
	84.00	0.098" MLS B18/B20 W/VTEC HEAD	0.098	2.49	C4193-098	CG10
	85.00	0.027"MLS B18/B20 W/VTEC HEAD	0.027	0.69	C4194-027	CG7
	85.00	0.030" MLS B18/B20W/VTEC HEAD	0.030	0.76	C4194-030	CG7
	85.00	0.036" MLS B18/B20W/VTEC HEAD	0.036	0.91	C4194-036	CG7
	85.00	0.040"MLS B18/B20 W/VTEC HEAD	0.040	1.02	C4194-040	CG7
	85.00	0.045"MLS B18/B20 W/VTEC HEAD	0.045	1.14	C4194-045	CG7
	85.00	0.051" MLS B18/B20 W/VTEC HEAD	0.051	1.30	C4194-051	CG7
	85.00	0.056" MLS-5 B18/B20 W/VTEC	0.056	1.42	C4194-056	CG9
	85.00	0.060" MLS-5 B18/B20 W/VTEC	0.060	1.52	C4194-060	CG9
	85.00	0.070" MLS-5 B18/B20 W/VTEC	0.070	1.78	C4194-070	CG9
	85.00	0.075" MLS-5 B18/B20 W/VTEC	0.075	1.91	C4194-075	CG9
	85.00	0.080" MLS B18/B20 W/VTEC HEAD	0.080	2.03	C4194-080	CG10
	85.00	0.089" MLS B18/B20 W/VTEC HEAD	0.089	2.26	C4194-089	CG10
	85.00	0.098" MLS-5 B18/B20 W/VTEC	0.098	2.49	C4194-098	CG10
	86.50	0.027"MLS B18/B20 W/VTEC HEAD	0.027	0.69	C4242-027	CG7
	86.50	0.030"MLS B18/B20 W/VTEC HEAD	0.030	0.76	C4242-030	CG7
	86.50	0.036"MLS B18/B20 W/VTEC HEAD	0.036	0.91	C4242-036	CG7
	86.50	0.040"MLS B18/B20 W/VTEC HEAD	0.040	1.02	C4242-040	CG7
	86.50	0.045" MLS B18/B20 W/VTEC HEAD	0.045	1.14	C4242-045	CG7
	86.50	0.051" MLS B18/B20 W/VTEC HEAD	0.051	1.30	C4242-051	CG7
	86.50	0.060"MLS-5 B18/B20 W/VTEC HEAD	0.060	1.52	C4242-060	CG9
	86.50	0.075"MLS-5 B18/B20 W/VTEC HEAD	0.075	1.91	C4242-075	CG9
	86.50	0.080" MLS-5 B18/B20 W/VTEC	0.080	2.03	C4242-080	CG10
	86.50	0.120"MLS B18/B20 W/VTEC HEAD	0.120	3.05	C4242-120	CG17

GASKETS



Description	Fits bore size (mm)	Long description (inches)	Thickness (inches)	Thickness (mm)	Stock code	Price code
HONDA						
HYBRID LS/VTEC	81.50	,90+ B18 W/ VTEC HEAD 0.027"MLS	0.027	0.69	C4236-027	CG7
	81.50	0.030"MLS B18A/B W/VTEC HEAD	0.030	0.76	C4236-030	CG7
	81.50	,90+ B18 W/ VTEC HEAD 0.036"MLS	0.036	0.91	C4236-036	CG7
	81.50	,90+ B18 W/ VTEC HEAD 0.040"MLS	0.040	1.02	C4236-040	CG7
	81.50	,90+ B18 W/ VTEC HEAD 0.045"MLS	0.045	1.14	C4236-045	CG7
	81.50	,90+ B18 W/ VTEC HEAD 0.051"MLS	0.051	1.30	C4236-051	CG7
	81.50	0.060" MLS-5 B18 W/ VTEC HEAD	0.060	1.52	C4236-060	CG9
	81.50	0.066" MLS-5 B18 W/ VTEC HEAD	0.066	1.68	C4236-066	CG9
	81.50	0.070" MLS-5 B18 W/ VTEC HEAD	0.070	1.78	C4236-070	CG9
	81.50	0.075" B18B W/VTEC HEAD MLS-5	0.075	1.91	C4236-075	CG9
	81.50	0.098" B18B W/VTEC HEAD MLS-5	0.098	2.49	C4236-098	CG10
	81.50	,90+ B18 W/ VTEC HEAD 0.120"MLS	0.120	3.05	C4236-120	CG17
	81.00	,90+ B18 W/ VTEC HEAD 0.027"MLS	0.027	0.69	C4237-027	CG7
	81.00	0.030MLS B18A/B W/VTEC HEAD	0.030	0.76	C4237-030	CG7
	81.00	0.036"MLS B18A/B W/VTEC HEAD	0.036	0.91	C4237-036	CG7
	81.00	,90+ B18 W/ VTEC HEAD 0.040"MLS	0.040	1.02	C4237-040	CG7
	81.00	,90+ B18 W/ VTEC HEAD 0.045"MLS	0.045	1.14	C4237-045	CG7
	81.00	,90+ B18 W/ VTEC HEAD 0.051"MLS	0.051	1.30	C4237-051	CG7
	81.00	0.060" B18B W/VTEC HEAD MLS-5	0.060	1.52	C4237-060	CG9
	81.00	0.066" B18B W/VTEC HEAD MLS-5	0.066	1.68	C4237-066	CG9
	81.00	0.070" B18B W/VTEC HEAD MLS-5	0.070	1.78	C4237-070	CG9
	81.00	0.075" B18B W/VTEC HEAD MLS-5	0.075	1.91	C4237-075	CG9
	81.00	0.080" B18B W/VTEC HEAD MLS-5	0.080	2.03	C4237-080	CG10
	81.00	0.089" B18B W/VTEC HEAD MLS-5	0.089	2.26	C4237-089	CG10
	81.00	0.098" B18B W/VTEC HEAD MLS-5	0.098	2.49	C4237-098	CG10
	81.00	,90+ B18 W/ VTEC HEAD 0.120"MLS	0.120	3.05	C4237-120	CG17
	82.00	,90+ B18 W/ VTEC HEAD 0.027"MLS	0.027	0.69	C4191-027	CG7
	82.00	,90+ B18 W/VTEC HEAD 0.030" MLS	0.030	0.76	C4191-030	CG7
	82.00	,90+ B18 W/VTEC HEAD 0.036" MLS	0.036	0.91	C4191-036	CG7
	82.00	,90+ B18 W/ VTEC HEAD 0.040"MLS	0.040	1.02	C4191-040	CG7
	82.00	,90+ B18 W/ VTEC HEAD 0.045"MLS	0.045	1.14	C4191-045	CG7
	82.00	,90+ B18 W/ VTEC HEAD 0.051"MLS	0.051	1.30	C4191-051	CG7
	82.00	0.056" MLS-5 ,90+ B18 W/ VTEC	0.056	1.42	C4191-056	CG9
	82.00	0.060"MLS-5 ,90+ B18 W/ VTEC	0.060	1.52	C4191-060	CG9

GASKETS



Description	Fits bore size (mm)	Long description (inches)	Thickness (inches)	Thickness (mm)	Stock code	Price code
HONDA						
HYBRID LS/VTEC	82.00	0.066"MLS-5 ,90+ B18 W/ VTEC	0.066	1.68	C4191-066	CG9
	82.00	0.075" MLS-5 ,90+ B18 W/ VTEC	0.075	1.91	C4191-075	CG9
	82.00	0.080" MLS-5 ,90+ B18 W/ VTEC	0.080	2.03	C4191-080	CG10
	82.00	0.098" MLS-5 ,90+ B18 W/ VTEC	0.098	2.49	C4191-098	CG10
	82.00	0.120" MLS B18A/B W/VTEC HEAD	0.120	3.05	C4191-120	CG17
	83.00	0.027" MLS B18A/B W/VTEC HEAD	0.027	0.69	C4192-027	CG7
	83.00	0.030"MLS B18A/B W/VTEC HEAD	0.030	0.76	C4192-030	CG7
	83.00	0.040"MLS B18A/B W/VTEC HEAD	0.040	1.02	C4192-040	CG7
	83.00	0.045"MLS B18A/B W/VTEC HEAD	0.045	1.14	C4192-045	CG7
	83.00	0.051" MLS B18A/B W/VTEC HEAD	0.051	1.30	C4192-051	CG7
	83.00	0.120" MLS B18A/B W/VTEC HEAD	0.120	3.05	C4192-120	CG17
	84.00	0.027"MLS B18A/B W/VTEC HEAD	0.027	0.69	C4193-027	CG7
	84.00	0.030"MLS B18A/B W/VTEC HEAD	0.030	0.76	C4193-030	CG7
	84.00	0.036"MLS B18A/B W/VTEC HEAD	0.036	0.91	C4193-036	CG7
	84.00	0.040"MLS B18A/B W/VTEC HEAD	0.040	1.02	C4193-040	CG7
	84.00	0.045"MLS B18A/B W/VTEC HEAD	0.045	1.14	C4193-045	CG7
	84.00	0.051" MLS B18A/B W/VTEC HEAD	0.051	1.30	C4193-051	CG7
	84.00	0.060" MLS-5 B18A/B W/VTEC HEAD	0.060	1.52	C4193-060	CG9
	84.00	0.070"MLS-5 B18A/B W/VTEC HEAD	0.070	1.78	C4193-070	CG9
	84.00	0.075"MLS-5 B18A/B W/VTEC HEAD	0.075	1.91	C4193-075	CG9
	84.00	0.120" MLS B18A/B W/VTEC HEAD	0.120	3.05	C4193-120	CG17
	85.00	0.120" MLS B18A/B W/VTEC HEAD	0.120	3.05	C4194-120	CG17
K20/K24	86.00 HEAD GASKET	0.018" MLS	0.018	0.46	C4300-018	CG7
	86.00 HEAD GASKET	0.027" MLS	0.027	0.69	C4300-027	CG7
	86.00 HEAD GASKET	0.030" MLS	0.030	0.76	C4300-030	CG7
	86.00 HEAD GASKET	0.036" MLS	0.036	0.91	C4300-036	CG7
	86.00 HEAD GASKET	0.040" MLS	0.040	1.02	C4300-040	CG7
	86.00 HEAD GASKET	0.045" MLS	0.045	1.14	C4300-045	CG7
	86.00 HEAD GASKET	0.051" MLS	0.051	1.30	C4300-051	CG7
	86.00 HEAD GASKET	0.060" MLS-5	0.060	1.52	C4300-060	CG9
	86.00 HEAD GASKET	0.066" MLS-5	0.066	1.68	C4300-066	CG9
	86.00 HEAD GASKET	0.075" MLS-5	0.075	1.91	C4300-075	CG9
	86.00 HEAD GASKET	0.080" MLS-5	0.080	2.03	C4300-080	CG10
	86.00 HEAD GASKET	0.120" MLS	0.120	3.05	C4300-120	CG17

GASKETS



Description	Fits bore size (mm)	Long description (inches)	Thickness (inches)	Thickness (mm)	Stock code	Price code
HONDA						
K20/K24	87.00 HEAD GASKET	0.027" MLS	0.027	0.69	C4311-027	CG7
	87.00 HEAD GASKET	0.030" MLS	0.030	0.76	C4311-030	CG7
	87.00 HEAD GASKET	0.036" MLS	0.036	0.91	C4311-036	CG7
	87.00 HEAD GASKET	0.040" MLS	0.040	1.02	C4311-040	CG7
	87.00 HEAD GASKET	0.045" MLS	0.045	1.14	C4311-045	CG7
	87.00 HEAD GASKET	0.051" MLS	0.051	1.30	C4311-051	CG7
	87.00 HEAD GASKET	0.056" MLS-5	0.056	1.42	C4311-056	CG9
	87.00 HEAD GASKET	0.060" MLS-5	0.060	1.52	C4311-060	CG9
	87.00 HEAD GASKET	0.066" MLS-5	0.066	1.68	C4311-066	CG9
	87.00 HEAD GASKET	0.086" MLS-5	0.086	2.18	C4311-086	CG10
	87.00 HEAD GASKET	0.089" MLS-5	0.089	2.26	C4311-089	CG10
	87.00 HEAD GASKET	0.098" MLS-5	0.098	2.49	C4311-098	CG10
	88.00 HEAD GASKET	0.027" MLS	0.027	0.69	C4312-027	CG7
	88.00 HEAD GASKET	0.030" MLS	0.030	0.76	C4312-030	CG7
	88.00 HEAD GASKET	0.036" MLS	0.036	0.91	C4312-036	CG7
	88.00 HEAD GASKET	0.040" MLS	0.040	1.02	C4312-040	CG7
	88.00 HEAD GASKET	0.045" MLS	0.045	1.14	C4312-045	CG7
	88.00 HEAD GASKET	0.051" MLS	0.051	1.30	C4312-051	CG7
	88.00 HEAD GASKET	0.056" MLS-5	0.056	1.42	C4312-056	CG9
	88.00 HEAD GASKET	0.060" MLS-5	0.060	1.52	C4312-060	CG9
	88.00 HEAD GASKET	0.062" MLS-5	0.062	1.57	C4312-062	CG9
	88.00 HEAD GASKET	0.075" MLS-5	0.075	1.91	C4312-075	CG9
	89.00 HEAD GASKET	0.027" MLS	0.027	0.69	C4313-027	CG7
	89.00 HEAD GASKET	0.030" MLS	0.030	0.76	C4313-030	CG7
	89.00 HEAD GASKET	0.036" MLS	0.036	0.91	C4313-036	CG7
	89.00 HEAD GASKET	0.040" MLS	0.040	1.02	C4313-040	CG7
	89.00 HEAD GASKET	0.045" MLS	0.045	1.14	C4313-045	CG7
	89.00 HEAD GASKET	0.051" MLS	0.051	1.30	C4313-051	CG7
	89.00 HEAD GASKET	0.056" MLS-5	0.056	1.42	C4313-056	CG9
	89.00 HEAD GASKET	0.060" MLS-5	0.060	1.52	C4313-060	CG9
	89.00 HEAD GASKET	0.066" MLS-5	0.066	1.68	C4313-066	CG9
	89.00 HEAD GASKET	0.075" MLS-5	0.075	1.91	C4313-075	CG9
	89.00 HEAD GASKET	0.120" MLS	0.120	3.05	C4313-120	CG17
K20Z3 06-09 SI	86.00	0.030" MLS HEAD GASKET	0.030	0.76	C4561-030	CG7
	87.00	0.030" MLS HEAD GASKET	0.030	0.76	C4562-030	CG7

GASKETS



Description	Fits bore size (mm)	Long description (inches)	Thickness (inches)	Thickness (mm)	Stock code	Price code
HONDA						
PRELUDE 1992-1996	87.00	2.2LTR VTEC 0.027"MLS HEAD GSKT	0.027	0.69	C4255-027	CG7
	87.00	2.2LTR VTEC 0.030"MLS HEAD H22	0.030	0.76	C4255-030	CG7
	87.00	2.2LTR VTEC 0.036"MLS HEAD GSKT	0.036	0.91	C4255-036	CG7
	87.00	2.2LTR VTEC 0.040"MLS HEAD GSKT	0.040	1.02	C4255-040	CG7
	87.00	2.2LTR VTEC 0.045"MLS HEAD GSKT	0.045	1.14	C4255-045	CG7
	87.00	2.2LTR VTEC 0.051"MLS HEAD GSKT	0.051	1.30	C4255-051	CG7
	87.00	2.2LTR VTEC 0.060" MLS-5 HEAD	0.060	1.52	C4255-060	CG9
	87.00	2.2LTR VTEC 0.066" MLS-5 HEAD	0.066	1.68	C4255-066	CG9
	87.00	2.2LTR VTEC 0.070" MLS-5 HEAD	0.070	1.78	C4255-070	CG9
	87.00	2.2L VTEC 0.075" MLS-5 HEAD	0.075	1.91	C4255-075	CG9
	87.00	2.2L VTEC 0.080" MLS-5 HEAD	0.080	2.03	C4255-080	CG10
	87.00	2.2LTR VTEC 0.120"MLS HEAD GSKT	0.120	3.05	C4255-120	CG17
PRELUDE 1997 UP	87.00	0.030" MLS H22-A4 HEAD GASKET	0.030	0.76	C4252-030	CG7
	87.00	0.036" MLS H22-A4 HEAD GASKET	0.036	0.91	C4252-036	CG7
	87.00	0.027" MLS H22-A4 HEAD GASKET	0.027	0.69	C4252-027	CG7
	87.00	0.040" MLS H22-A4 HEAD GASKET	0.040	1.02	C4252-040	CG7
	87.00	0.045" MLS H22-A4 HEAD GASKET	0.045	1.14	C4252-045	CG7
	87.00	0.051" MLS H22-A4 HEAD GASKET	0.051	1.30	C4252-051	CG7
	87.00	0.060" MLS-5 H22-A4 HEAD GASKET	0.060	1.52	C4252-060	CG9
	87.00	0.066" MLS-5 H22-A4 HEAD GASKET	0.066	1.68	C4252-066	CG9
	87.00	0.075" MLS-5 H22-A4 HEAD GASKET	0.075	1.91	C4252-075	CG9
	87.00	0.080" MLS-5 H22-A4 HEAD GASKET	0.080	2.03	C4252-080	CG10
	87.00	0.092" MLS-5 H22-A4 HEAD GASKET	0.092	2.34	C4252-092	CG10
	87.00	0.120" MLS H22-A4 HEAD GASKET	0.120	3.05	C4252-120	CG17
PRELUDE 1992-1996	88.00	2.2LTR VTEC 0.027"MLS HEAD GSKT	0.027	0.69	C4198-027	CG7
	88.00	2.2LTR VTEC 0.030"MLS HEAD H22	0.030	0.76	C4198-030	CG7
	88.00	2.2LTR VTEC 0.040"MLS HEAD GSKT	0.040	1.02	C4198-040	CG7
	88.00	2.2LTR VTEC 0.045"MLS HEAD GSKT	0.045	1.14	C4198-045	CG7
	88.00	2.2LTR VTEC 0.051"MLS HEAD GSKT	0.051	1.30	C4198-051	CG7
	88.00	0.060"MLS-5 HEAD GSKT 2.2L VTEC	0.060	1.52	C4198-060	CG9
	88.00	2.2LTR VTEC 0.066"MLS HEAD GSKT	0.066	1.68	C4198-066	CG9
	88.00	0.070"MLS-5 HEAD GSKT 2.2L VTEC	0.070	1.78	C4198-070	CG9
	88.00	0.075"MLS-5 HEAD GSKT 2.2L VTEC	0.075	1.91	C4198-075	CG9
	88.00	2.2LTR VTEC 0.080"MLS-5 H22	0.080	2.03	C4198-080	CG10
	88.00	2.2LTR VTEC 0.120"MLS HEAD GSKT	0.120	3.05	C4198-120	CG17

GASKETS



Description	Fits bore size (mm)	Long description (inches)	Thickness (inches)	Thickness (mm)	Stock code	Price code
HONDA						
PRELUDE 1997 UP	88.00	0.030" MLS H22-A4 HEAD GASKET	0.030	0.76	C4253-030	CG7
	88.00	0.027" MLS H22-A4 HEAD GASKET	0.027	0.69	C4253-027	CG7
	88.00	0.036" MLS H22-A4 HEAD GASKET	0.036	0.91	C4253-036	CG7
	88.00	0.040" MLS H22-A4 HEAD GASKET	0.040	1.02	C4253-040	CG7
	88.00	0.045" MLS H22-A4 HEAD GASKET	0.045	1.14	C4253-045	CG7
	88.00	0.051" MLS H22-A4 HEAD GASKET	0.051	1.30	C4253-051	CG7
	88.00	0.120" MLS H22-A4 HEAD GASKET	0.120	3.05	C4253-120	CG17
PRELUDE 1992-1996	89.00	2.2LTR VTEC .0027"MLS HEAD H22	0.027	0.69	C4185-027	CG7
	89.00	2.2 LTR VTEC 0.030"MLS HEAD H22	0.030	0.76	C4185-030	CG7
	89.00	2.2 LTR VTEC 0.036"MLS HEAD H22	0.036	0.91	C4185-036	CG7
	89.00	2.2LTR VTEC 0.040"MLS HEAD H22	0.040	1.02	C4185-040	CG7
	89.00	2.2LTR VTEC 0.045"MLS HEAD H22	0.045	1.14	C4185-045	CG7
	89.00	2.2LTR VTEC 0.051"MLS HEAD H22	0.051	1.30	C4185-051	CG7
	89.00	2.2LTR VTEC 0.062" MLS-5 H22	0.062	1.57	C4185-062	CG9
	89.00	2.2LTR VTEC 0.066"MLS-5 H22	0.066	1.68	C4185-066	CG9
	89.00	2.2LTR VTEC 0.075"MLS-5 H22	0.075	1.91	C4185-075	CG9
	89.00	2.2LTR VTEC 0.080"MLS-5 H22	0.080	2.03	C4185-080	CG10
	89.00	2.2LTR VTEC 0.098" MLS-5 H22	0.098	2.49	C4185-098	CG10
	89.00	2.2LTR VTEC 0.120"MLS HEAD H22	0.120	3.05	C4185-120	CG17
	89.00	2.2LTR VTEC 0.060" MLS-5 HEAD	0.060	1.52	C4254-060	CG9
	89.00	2.2LTR VTEC 0.066" MLS-5 HEAD	0.066	1.68	C4254-066	CG9
89.00	2.2LTR VTEC 0.070" MLS-5 HEAD	0.070	1.78	C4254-070	CG9	
PRELUDE 1997 UP	89.00	0.030" MLS H22-A4 HEAD GASKET	0.030	0.76	C4254-030	CG7
	89.00	0.036" MLS H22-A4 HEAD GASKET	0.036	0.91	C4254-036	CG7
	89.00	0.040" MLS H22-A4 HEAD GASKET	0.040	1.02	C4254-040	CG7
	89.00	0.051" MLS H22-A4 HEAD GASKET	0.051	1.30	C4254-051	CG7
	89.00	0.027" MLS H22-A4 HEAD GASKET	0.027	0.69	C4254-027	CG7
	89.00	0.075" MLS-5 H22-A4 HEAD GASKET	0.075	1.91	C4254-075	CG9
	89.00	0.120" MLS H22-A4 HEAD GASKET	0.120	3.05	C4254-120	CG17
PRELUDE B20A1/A5/B2	81.50	0.045" MLS HEAD	0.045	1.14	C4564-045	CG7
	82.00	0.045" MLS HEAD	0.045	1.14	C4565-045	CG7
	83.00	0.045" MLS HEAD	0.045	1.14	C4566-045	CG7
	84.00	0.045" MLS HEAD	0.045	1.14	C4567-045	CG7

GASKETS



Description	Fits bore size (mm)	Long description (inches)	Thickness (inches)	Thickness (mm)	Stock code	Price code
HONDA						
PRELUDE H23A	87.50	0.040" MLS HEAD GASKET	0.040	1.02	C4553-040	CG7
	87.50	0.051" MLS HEAD GASKET	0.051	1.30	C4553-051	CG7
	88.00	0.040" MLS HEAD GASKET	0.040	1.02	C4554-040	CG7
	88.00	0.051" MLS HEAD GASKET	0.051	1.30	C4554-051	CG7
	88.00	0.070" MLS HEAD GASKET	0.070	1.78	C4554-070	CG9
	89.00	0.040" MLS HEAD GASKET	0.040	1.02	C4555-040	CG7
	89.00	0.051" MLS HEAD GASKET	0.051	1.30	C4555-051	CG7
ACURA B18/A/B	82.00	0.060" MLS-5 HEAD, NON VTEC	0.060	1.52	C4173-060	CG9
	82.00	0.075" MLS-5 HEAD, NON VTEC	0.075	1.91	C4173-075	CG9
	85.00	0.027" MLS HEAD, NON VTEC	0.027	0.69	C4175-027	CG7
	85.00	0.030" MLS HEAD, NON VTEC	0.030	0.76	C4175-030	CG7
	85.00	0.036" MLS HEAD, NON VTEC	0.036	0.91	C4175-036	CG7
	85.00	0.040" MLS HEAD, NON VTEC	0.040	1.02	C4175-040	CG7
	85.00	0.045" MLS HEAD, NON VTEC	0.045	1.14	C4175-045	CG7
	85.00	0.051" MLS HEAD, NON VTEC	0.051	1.30	C4175-051	CG7
	85.00	0.060" MLS-5 HEAD, NON VTEC	0.060	1.52	C4175-060	CG9
	85.00	0.066" MLS-5 HEAD, NON VTEC	0.066	1.68	C4175-066	CG9
ACURA DOHC B18A/B	81.50	0.027" MLS HEAD, NON VTEC	0.027	0.69	C4239-027	CG7
	81.50	0.030" MLS HEAD NON VTEC	0.030	0.76	C4239-030	CG7
	81.50	0.036" MLS HEAD NON VTEC	0.036	0.91	C4239-036	CG7
	81.50	0.040" MLS HEAD NON VTEC	0.040	1.02	C4239-040	CG7
	81.50	0.045" MLS HEAD NON VTEC	0.045	1.14	C4239-045	CG7
	81.50	0.051" MLS HEAD, NON VTEC	0.051	1.30	C4239-051	CG7
	81.50	0.065" MLS HEAD GASKET	0.065	1.65	C4239-065	CG8
	81.50	0.060" MLS-5 HEAD, NON VTEC	0.060	1.52	C4239-060	CG9
	81.50	0.066" MLS-5 HEAD, NON VTEC	0.066	1.68	C4239-066	CG9
	81.50	0.075" MLS-5 HEAD, NON VTEC	0.075	1.91	C4239-075	CG9
	81.50	0.098" MLS-5 HEAD, NON VTEC	0.098	2.49	C4239-098	CG10
	81.50	0.120" MLS HEAD GASKET	0.120	3.05	C4239-120	CG17
	81.00	0.027" MLS HEAD NON VTEC	0.027	0.69	C4238-027	CG7
	81.00	0.030" MLS HEAD NON VTEC	0.030	0.76	C4238-030	CG7
	81.00	0.036" MLS HEAD NON VTEC	0.036	0.91	C4238-036	CG7
	81.00	0.040" MLS HEAD, NON VTEC	0.040	1.02	C4238-040	CG7

GASKETS



Description	Fits bore size (mm)	Long description (inches)	Thickness (inches)	Thickness (mm)	Stock code	Price code
HONDA						
ACURA DOHC B18A/B	81.00	0.045" MLS HEAD, NON VTEC	0.045	1.14	C4238-045	CG7
	81.00	0.051" MLS HEAD, NON VTEC	0.051	1.30	C4238-051	CG7
	81.00	0.074" MLS HEAD, NON VTEC	0.074	1.88	C4238-074	CG9
	81.00	0.060" MLS-5 HEAD, NON VTEC	0.060	1.52	C4238-060	CG9
	81.00	0.066" MLS-5 HEAD, NON VTEC	0.066	1.68	C4238-066	CG9
	81.00	0.070" MLS-5 HEAD, NON VTEC	0.070	1.78	C4238-070	CG9
	81.00	0.075" MLS-5 HEAD, NON VTEC	0.075	1.91	C4238-075	CG9
	81.00	0.080" MLS-5 HEAD, NON VTEC	0.080	2.03	C4238-080	CG10
	81.00	0.098" MLS-5 HEAD, NON VTEC	0.098	2.49	C4238-098	CG10
	81.00	0.120" MLS HEAD, NON VTEC	0.120	3.05	C4238-120	CG17
	82.00	0.027" MLS HEAD, NON VTEC	0.027	0.69	C4173-027	CG6
	82.00	0.030" MLS HEAD, NON VTEC	0.030	0.76	C4173-030	CG7
	82.00	0.036" MLS HEAD, NON VTEC	0.036	0.91	C4173-036	CG7
	82.00	0.040" MLS HEAD, NON VTEC	0.040	1.02	C4173-040	CG7
	82.00	0.045" MLS HEAD, NON VTEC	0.045	1.14	C4173-045	CG7
	82.00	0.051" MLS HEAD, NON VTEC	0.051	1.30	C4173-051	CG7
	82.00	0.120" MLS HEAD, NON VTEC	0.120	3.05	C4173-120	CG17
	83.00	0.030" MLS HEAD, NON VTEC	0.030	0.76	C4181-030	CG7
	83.00	0.036" MLS HEAD, NON VTEC	0.036	0.91	C4181-036	CG7
	83.00	0.040" MLS HEAD, NON VTEC	0.040	1.02	C4181-040	CG7
	83.00	0.051" MLS HEAD, NON VTEC	0.051	1.30	C4181-051	CG7
	84.00	0.027" MLS HEAD, NON VTEC	0.027	0.69	C4180-027	CG7
	84.00	0.030" MLS HEAD, NON VTEC	0.030	0.76	C4180-030	CG7
	84.00	0.036" MLS HEAD, NON VTEC	0.036	0.91	C4180-036	CG7
	84.00	0.040" MLS HEAD, NON VTEC	0.040	1.02	C4180-040	CG7
	84.00	0.045" MLS HEAD, NON VTEC	0.045	1.14	C4180-045	CG7
	84.00	0.051" MLS HEAD, NON VTEC	0.051	1.30	C4180-051	CG7
	84.00	0.060" MLS-5 HEAD, NON VTEC	0.060	1.52	C4180-060	CG9
	84.00	0.062" MLS-5 HEAD, NON VTEC	0.062	1.57	C4180-062	CG9
	84.00	0.075" MLS-5 HEAD, NON VTEC	0.075	1.91	C4180-075	CG9
	84.00	0.098" MLS-5 HEAD, NON VTEC	0.098	2.49	C4180-098	CG10
	84.00	0.120" MLS HEAD, NON VTEC	0.120	3.05	C4180-120	CG17
	85.00	0.140" MLS HEAD, NON VTEC	0.140	3.56	C4175-140	CG17

GASKETS



Description	Fits bore size (mm)	Long description (inches)	Thickness (inches)	Thickness (mm)	Stock code	Price code
LANCIA						
D50 LONG BLOCK	79.00	0.059" CFM HEAD GASKET	0.059	1.50	C4307-059	CG6
LANCIA / FIAT						
DELTA/TEMPRA	85.00	0.030" MLS 8 AND 16 VALVE	0.030	0.76	C4124-030	CG7
	85.00	0.036" MLS 8 AND 16 VALVE	0.036	0.91	C4124-036	CG7
	85.00	0.040" MLS 8 AND 16 VALVE	0.040	1.02	C4124-040	CG7
	85.00	0.045" MLS 8 AND 16 VALVE	0.045	1.14	C4124-045	CG7
	85.00	0.051" MLS 8 AND 16 VALVE	0.051	1.30	C4124-051	CG7
	85.00	0.060" MLS-5 8/16 VALVE	0.060	1.52	C4124-060	CG9
	85.00	0.066" MLS-5 8/16 VALVE	0.066	1.68	C4124-066	CG9
	85.00	0.070" MLS-5 8/16 VALVE	0.070	1.78	C4124-070	CG9
	85.00	0.075" MLS-5 8/16 VALVE	0.075	1.91	C4124-075	CG9
	85.00	0.080" MLS-5 8/16 VALVE	0.080	2.03	C4124-080	CG9
	85.00	0.092" MLS-5 8/16 VALVE	0.092	2.34	C4124-092	CG10
	85.00	0.120" MLS 8 AND 16 VALVE	0.120	3.05	C4124-120	CG17
	85.00	0.140" MLS-5 8/16 VALVE	0.140	3.56	C4124-140	CG17
MAZDA						
MAZ MIATA 1.6L	80.00	0.027" MLS HEAD B6D MOTOR	0.027	0.69	C4122-027	CG8
	80.00	0.030" MLS HEAD B6D MOTOR	0.030	0.76	C4122-030	CG8
	80.00	0.036" MLS HEAD B6D MOTOR	0.036	0.91	C4122-036	CG8
	80.00	0.040" MLS HEAD B6D MOTOR	0.040	1.02	C4122-040	CG8
	80.00	0.045" MLS HEAD B6D MOTOR	0.045	1.14	C4122-045	CG8
	80.00	0.051" MLS HEAD B6D MOTOR	0.051	1.30	C4122-051	CG8
	80.00	0.060" MLS-5 HEAD B6D MOTOR	0.060	1.52	C4122-060	CG10
	80.00	0.075" MLS-5 HEAD B6D MOTOR	0.075	1.91	C4122-075	CG10
	80.00	0.080" MLS-5 HEAD B6D MOTOR	0.080	2.03	C4122-080	CG11
	80.00	0.098" MLS-5 HEAD B6D MOTOR	0.098	2.49	C4122-098	CG11
MIATA 1.8L DOHC	83.00	0.040" MLS HEAD BP MOTOR	0.040	1.02	C4560-040	CG8
	84.00	0.040" MLS HEAD BP MOTOR	0.040	1.02	C4568-040	CG8
	85.00	0.040" MLS HEAD BP MOTOR	0.040	1.02	C4569-040	CG8

GASKETS



Description	Fits bore size (mm)	Long description (inches)	Thickness (inches)	Thickness (mm)	Stock code	Price code
MITSUBISHI						
ECLIPS / GALANT / LANCER THRU EV03 4G63/T	85.50	0.027" MLS	0.027	0.69	C4233-027	CG7
	85.50	0.030" MLS	0.030	0.76	C4233-030	CG7
	85.50	0.036" MLS	0.036	0.91	C4233-036	CG7
	85.50	0.040" MLS	0.040	1.02	C4233-040	CG7
	85.50	0.045" MLS	0.045	1.14	C4233-045	CG7
	85.50	0.051" MLS	0.051	1.30	C4233-051	CG7
	85.50	0.060" MLS-5	0.060	1.52	C4233-060	CG9
	85.50	0.066" MLS-5	0.066	1.68	C4233-066	CG9
	85.50	0.070" MLS-5	0.070	1.78	C4233-070	CG9
	85.50	0.075" MLS-5	0.075	1.91	C4233-075	CG9
	85.50	0.080" MLS-5	0.080	2.03	C4233-080	CG10
	85.50	0.084" MLS-5	0.084	2.13	C4233-084	CG10
	85.50	0.095" MLS-5	0.095	2.41	C4233-095	CG10
	85.50	0.120" MLS	0.120	3.05	C4233-120	CG17
	86.00	0.027" MLS	0.027	0.69	C4234-027	CG7
	86.00	0.030" MLS	0.030	0.76	C4234-030	CG7
	86.00	0.040" MLS	0.040	1.02	C4234-040	CG7
	86.00	0.045" MLS	0.045	1.14	C4234-045	CG7
	86.00	0.051" MLS	0.051	1.30	C4234-051	CG7
	86.00	0.056" MLS-5	0.056	1.42	C4234-056	CG9
	86.00	0.060" MLS-5	0.060	1.52	C4234-060	CG9
	86.00	0.066" MLS-5	0.066	1.68	C4234-066	CG9
	86.00	0.070" MLS-5	0.070	1.78	C4234-070	CG9
	86.00	0.075" MLS-5	0.075	1.91	C4234-075	CG9
	86.00	0.080" MLS-5	0.080	2.03	C4234-080	CG10
	86.00	0.095" MLS-5	0.095	2.41	C4234-095	CG10
	86.00	0.120" MLS	0.120	3.05	C4234-120	CG17
	86.00	0.140" MLS	0.140	3.56	C4234-140	CG17
	87.00	0.030" MLS	0.030	0.76	C4235-030	CG7
	87.00	0.036" MLS	0.036	0.91	C4235-036	CG7
	87.00	0.040" MLS	0.040	1.02	C4235-040	CG7
	87.00	0.045" MLS	0.045	1.14	C4235-045	CG7
87.00	0.047" 4 LAYER	0.047	1.19	C4235-047	CG7	

GASKETS



Description	Fits bore size (mm)	Long description (inches)	Thickness (inches)	Thickness (mm)	Stock code	Price code
MITSUBISHI						
ECLIPS / GALANT / LANCER THRU EV03 4G63/T	87.00	0.051" MLS	0.051	1.30	C4235-051	CG7
	87.00	0.060" MLS-5	0.060	1.52	C4235-060	CG9
	87.00	0.066" MLS-5	0.066	1.68	C4235-066	CG9
	87.00	0.070" MLS-5	0.070	1.78	C4235-070	CG9
	87.00	0.075" MLS-5	0.075	1.91	C4235-075	CG9
	87.00	0.077" MLS-5	0.077	1.96	C4235-077	CG10
	87.00	0.080" MLS-5	0.080	2.03	C4235-080	CG10
	87.00	0.120" MLS	0.120	3.05	C4235-120	CG17
4G64 4CYL	88.00	0.050" COPPER HEAD GASKET	0.050	1.27	C4213-050	CG6
	88.00	0.063" COPPER HEAD GASKET	0.063	1.60	C4213-063	CG6
6G72/6G72D4 V-6	93.00	0.030" MLS DIAMANTE, 3000GT	0.030	1.02	C4243-030	CG7
	93.00	0.040" MLS DIAMANTE, 3000GT	0.040	1.14	C4243-040	CG7
	93.00	0.045" MLS DIAMANTE, 3000GT	0.045	1.30	C4243-045	CG7
	93.00	0.051" MLS DIAMANTE, 3000GT	0.051	1.52	C4243-051	CG7
	93.00	0.060" MLS-5 DIAMANTE, 3000GT	0.060	1.68	C4243-060	CG9
	93.00	0.066" MLS-5 DIAMANTE, 3000GT	0.066	3.05	C4243-066	CG9
	93.00	0.120" MLS DIAMANTE, 3000GT	0.120	0.69	C4243-120	CG17
	95.00	0.027" MLS HEAD 3000GT	0.027	0.76	C4240-027	CG7
	95.00	0.030" MLS HEAD 3000GT	0.030	1.02	C4240-030	CG7
	95.00	0.040" MLS HEAD 3000GT	0.040	1.14	C4240-040	CG7
	95.00	0.045" MLS HEAD 3000GT	0.045	1.14	C4240-045	CG7
	95.00	0.051" MLS HEAD 3000GT	0.051	1.30	C4240-051	CG7
LANCER EV04-8	85.00	0.030" MLS 4G63 MOTOR 96-UP	0.030	0.76	C4157-030	CG7
	85.00	0.036" MLS 4G63 MOTOR 96-UP	0.036	0.91	C4157-036	CG7
	85.00	0.040" MLS 4G63 MOTOR 96-UP	0.040	1.02	C4157-040	CG7
	85.00	0.045" MLS 4G63 MOTOR 96-UP	0.045	1.14	C4157-045	CG7
	85.00	0.051" MLS 4G63 MOTOR 96-UP	0.051	1.30	C4157-051	CG7
	85.00	0.060" MLS-5 4G63 MOTOR 1996-UP	0.060	1.52	C4157-060	CG9
	85.00	0.070" MLS-5 4G63 MOTOR 1996-UP	0.070	1.78	C4157-070	CG9
	85.00	0.075" MLS-5 4G63 MOTOR 1996-UP	0.075	1.91	C4157-075	CG9
	85.00	0.080" MLS-5 4G63 MOTOR 1996-UP	0.080	2.03	C4157-080	CG10
	85.00	0.095" MLS-5 4G63 MOTOR 96-UP	0.095	2.41	C4157-095	CG10
	86.00	0.027" MLS 4G63 MOTOR 96-UP	0.027	0.69	C4156-027	CG7
	86.00	0.030" MLS 4G63 MOTOR 96-UP	0.030	0.76	C4156-030	CG7

GASKETS



Description	Fits bore size (mm)	Long description (inches)	Thickness (inches)	Thickness (mm)	Stock code	Price code
MITSUBISHI						
LANCER EVO4-8	86.00	0.036" MLS 4G63 MOTOR 96-UP	0.036	0.91	C4156-036	CG7
	86.00	0.040" MLS 4G63 MOTOR 96-UP	0.040	1.02	C4156-040	CG7
	86.00	0.045" MLS 4G63 MOTOR 96-UP	0.045	1.14	C4156-045	CG7
	86.00	0.051" MLS 4G63 MOTOR 96-UP	0.051	1.30	C4156-051	CG7
	86.00	0.060" MLS-5 LAYER 4G63 96-UP	0.066	1.52	C4156-060	CG9
	86.00	0.066" MLS-5 LAYER 4G63 96-UP	0.066	1.68	C4156-066	CG9
	86.00	0.070" MLS-5 4G63 MOTOR 1996-UP	0.070	1.78	C4156-070	CG9
	86.00	0.075" MLS-5 4G63 MOTOR 1996-UP	0.075	1.91	C4156-075	CG9
	86.00	0.080" MLS-5 4G63 MOTOR 1996-UP	0.080	2.03	C4156-080	CG10
	86.00	0.092" MLS-5 4G63 MOTOR 96-UP	0.092	2.34	C4156-092	CG10
	86.00	0.095" MLS-5 4G63 MOTOR 96-UP	0.095	2.41	C4156-095	CG10
	86.00	0.120" MLS 4G63 MOTOR 96-UP	0.120	3.05	C4156-120	CG17
EVO X	88.00	0.044" STOPPER HEAD GASKET	0.044	1.12	C4483-044	CG9
	90.00	0.044" STOPPER HEAD GASKET	0.044	1.12	C4484-044	CG9
NISSAN						
300ZX 1990 UP	88.00	0.030" MLS VG30DE/DETT 3L V6	0.030	0.76	C4346-030	CG7
	88.00	0.040" MLS VG30DE/DETT 3L V6	0.040	1.02	C4346-040	CG7
	88.00	0.045" MLS VG30DE/DETT 3L V6	0.045	1.14	C4346-045	CG7
	88.00	0.051" MLS VG30DE/DETT 3L V6	0.051	1.30	C4346-051	CG7
	88.00	0.056" MLS-5 VG30DE/DETT 3L V6	0.056	1.42	C4346-056	CG9
	88.00	0.060" MLS-5 VG30DE/DETT 3L V6	0.060	1.52	C4346-060	CG9
	88.00	0.062" MLS-5 VG30DE/DETT 3L V6	0.062	1.57	C4346-062	CG9
	88.00	0.066" MLS-5 VG30DE/DETT 3L V6	0.066	1.68	C4346-066	CG9
	88.00	0.075" MLS-5 VG30DE/DETT 3L V6	0.075	1.91	C4346-075	CG9
	88.00	0.080" MLS-5 VG30DE/DETT 3L V6	0.070	2.03	C4346-080	CG10
	88.00	0.098" MLS-5 VG30DE/DETT 3L V6	0.098	2.49	C4346-098	CG10
	88.00	0.120" MLS VG30DE/DETT 3L V6	0.120	3.05	C4346-120	CG17
	90.00	0.040" MLS VG30DE/DETT 3L V6	0.040	1.02	C4347-040	CG7
	90.00	0.045" MLS VG30DE/DETT 3L V6	0.045	1.14	C4347-045	CG7
	90.00	0.051" MLS VG30DE/DETT 3L V6	0.051	1.30	C4347-051	CG7
	90.00	0.086" MLS-5 VG30DE/DETT 3L V6	0.086	2.18	C4347-086	CG10
	90.00	0.060" MLS-5 VG30DE/DETT 3L V6	0.060	1.52	C4347-060	CG9
	90.00	0.066" MLS-5 VG30DE/DETT 3L V6	0.066	1.68	C4347-066	CG9
	90.00	0.075" MLS-5 VG30DE/DETT 3L V6	0.075	1.91	C4347-075	CG9

GASKETS



Description	Fits bore size (mm)	Long description (inches)	Thickness (inches)	Thickness (mm)	Stock code	Price code
NISSAN						
CA18 DOHC 1984-1987	85.00	SKYLINE, SUNNY 200SX 0.040" MLS	0.040	1.02	C4480-040	CG8
	85.00	SKYLINE, SUNNY 200SX 0.045" MLS	0.045	1.14	C4480-045	CG8
	85.00	SKYLINE, SUNNY 200SX 0.051" MLS	0.051	1.30	C4480-051	CG8
	85.00	SKYLINE, SUNNY 0.060" MLS-5	0.060	1.52	C4480-060	CG11
	85.00	SKYLINE, SUNNY 0.066" MLS-5	0.066	1.68	C4480-066	CG11
	85.00	SKYLINE, SUNNY 0.070" MLS-5	0.070	1.78	C4480-070	CG11
	85.00	SKYLINE, SUNNY 0.075" MLS-5	0.075	1.91	C4480-075	CG11
	85.00	SKYLINE, SUNNY 0.080" MLS-5	0.080	2.03	C4480-080	CG12
	85.00	SKYLINE, SUNNY 0.098" MLS-5	0.098	2.49	C4480-098	CG12
CA18,CA20 SOHC 1984-1987	85.00	MAXIMA SILVIA 200SX 0.045" MLS	0.045	1.14	C4479-045	CG8
	85.00	MAXIMA SILVIA 200SX 0.051" MLS	0.051	1.30	C4479-051	CG8
FJ20E/ET 2L 16V	91.00	0.070" MLS-5 HEAD	0.070	1.78	C4327-070	CG10
	91.00	0.075" MLS-5 HEAD	0.075	1.91	C4327-075	CG10
	91.00	0.098" MLS-5 HEAD	0.098	2.49	C4327-098	CG11
	90.00	0.040" MLS HEAD GASKET	0.040	1.02	C4326-040	CG8
	90.00	0.045" MLS HEAD GASKET	0.045	1.14	C4326-045	CG8
	90.00	0.051" MLS HEAD GASKET	0.051	1.30	C4326-051	CG8
	91.00	0.045" MLS HEAD GASKET	0.045	1.14	C4327-045	CG8
	91.00	0.051" MLS HEAD GASKET	0.051	1.30	C4327-051	CG8
RB-20E/DE/DET 2.0L	80.00	0.040" MLS GASKET,SKYLINE	0.040	1.02	C4495-040	CG14
	80.00	0.045" MLS GASKET,SKYLINE	0.045	1.14	C4495-045	CG14
	80.00	0.051" MLS GASKET,SKYLINE	0.051	1.30	C4495-051	CG14
	80.00	0.060" MLS-5 GASKET,SKYLINE	0.060	1.52	C4495-060	CG16
	80.00	0.075" MLS-5 GASKET,SKYLINE	0.075	1.91	C4495-075	CG16
RB-25 6 CYL	86.00	0.030" MLS HEAD GASKET	0.030	0.76	C4317-030	CG14
	86.00	0.040" MLS HEAD GASKET	0.040	1.02	C4317-040	CG14
	86.00	0.045" MLS HEAD GASKET	0.045	1.14	C4317-045	CG14
	86.00	0.051" MLS HEAD GASKET	0.051	1.30	C4317-051	CG14
	86.00	0.060" MLS-5 HEAD GASKET	0.060	1.52	C4317-060	CG16
	86.00	0.070" MLS-5 HEAD GASKET	0.070	1.78	C4317-070	CG16
	86.00	0.075" MLS-5 HEAD GASKET	0.075	1.91	C4317-075	CG16
	86.00	0.080" MLS-5 HEAD	0.080	2.03	C4317-080	CG17
86.00	0.092" MLS-5 HEAD	0.092	2.34	C4317-092	CG17	

GASKETS



Description	Fits bore size (mm)	Long description (inches)	Thickness (inches)	Thickness (mm)	Stock code	Price code
NISSAN						
RB-25 6 CYL	87.00	0.030" MLS HEAD GASKET	0.030	0.76	C4318-030	CG14
	87.00	0.040" MLS HEAD GASKET	0.040	1.02	C4318-040	CG14
	87.00	0.045" MLS HEAD GASKET	0.045	1.14	C4318-045	CG14
	87.00	0.051" MLS HEAD GASKET	0.051	1.30	C4318-051	CG14
	87.00	0.060" MLS-5 HEAD GASKET	0.060	1.52	C4318-060	CG16
	87.00	0.066" MLS-5 HEAD GASKET	0.066	1.68	C4318-066	CG16
	87.00	0.070" MLS-5 HEAD	0.070	1.78	C4318-070	CG16
	87.00	0.075" MLS-5 HEAD GASKET	0.075	1.91	C4318-075	CG16
	87.00	0.080" MLS-5 HEAD	0.080	2.03	C4318-080	CG17
RB-26 6 CYL	86.00	0.030" MLS HEAD GASKET	0.030	0.76	C4319-030	CG14
	86.00	0.051" MLS HEAD GASKET	0.051	1.30	C4319-051	CG14
	86.00	0.060" MLS-5 HEAD GASKET	0.060	1.52	C4319-060	CG16
	87.00	0.030" MLS HEAD GASKET	0.030	0.76	C4320-030	CG14
	87.00	0.036" MLS HEAD GASKET	0.036	0.91	C4320-036	CG14
	87.00	0.040" MLS HEAD GASKET	0.040	1.02	C4320-040	CG14
	87.00	0.045" MLS HEAD GASKET	0.045	1.14	C4320-045	CG14
	87.00	0.051" MLS HEAD GASKET	0.051	1.30	C4320-051	CG14
	87.00	0.060" MLS-5 HEAD GASKET	0.060	1.52	C4320-060	CG16
	87.00	0.066" MLS-5 HEAD GASKET	0.066	1.68	C4320-066	CG16
	87.00	0.075" MLS-5 HEAD GASKET	0.075	1.91	C4320-075	CG16
	87.00	0.080" MLS-5 LAYER HEAD	0.080	2.03	C4320-080	CG17
	88.00	0.030" MLS HEAD GASKET	0.030	0.76	C4321-030	CG14
	88.00	0.040" MLS HEAD GASKET	0.040	1.02	C4321-040	CG14
	88.00	0.045" MLS HEAD GASKET	0.045	1.14	C4321-045	CG14
	88.00	0.051" MLS HEAD GASKET	0.051	1.30	C4321-051	CG14
	88.00	0.060" MLS-5 HEAD GASKET	0.060	1.52	C4321-060	CG16
	88.00	0.066" MLS-5 HEAD GASKET	0.066	1.68	C4321-066	CG16
	88.00	0.075" MLS-5 HEAD GASKET	0.075	1.91	C4321-075	CG16
	88.00	0.092" MLS-5 LAYER HEAD	0.092	2.34	C4321-092	CG17
RB-30 6 CYL	86.00	0.030" MLS HEAD GASKET	0.030	0.76	C4322-030	CG14
	86.00	0.051" MLS HEAD GASKET	0.051	1.30	C4322-051	CG14
	87.00	0.040" MLS HEAD GASKET	0.040	1.02	C4323-040	CG14
	87.00	0.045" MLS HEAD GASKET	0.045	1.14	C4323-045	CG14
	87.00	0.051" MLS HEAD GASKET	0.051	1.30	C4323-051	CG14

GASKETS



Description	Fits bore size (mm)	Long description (inches)	Thickness (inches)	Thickness (mm)	Stock code	Price code
NISSAN						
RB-30 6 CYL	87.00	0.060" MLS-5 HEAD GASKET	0.060	1.52	C4323-060	CG16
	87.00	0.075" MLS-5 HEAD GASKET	0.075	1.91	C4323-075	CG16
	87.00	0.080" MLS-5 LAYER HEAD	0.080	2.03	C4323-080	CG17
	87.00	0.120" MLS HEAD GASKET	0.120	3.05	C4323-120	CG19
SR20DE/DET	87.50 S13	0.030" MLS W/1 EXTRA OIL HOLE	0.030	0.76	C4324-030	CG7
	87.50 S13	0.036" MLS W/1 EXTRA OIL HOLE	0.036	0.91	C4324-036	CG7
	87.50 S13	0.040" MLS W/1 EXTRA OIL HOLE	0.040	1.02	C4324-040	CG7
	87.50 S13	0.045" MLS W/1 EXTRA OIL HOLE	0.045	1.14	C4324-045	CG7
	87.50 S13	0.051" MLS W/1 EXTRA OIL HOLE	0.051	1.30	C4324-051	CG7
	87.50 S13	0.060" MLS-5 W/1 EXTRA OIL HOLE	0.060	1.52	C4324-060	CG9
	87.50 S13	0.070" MLS-5 W/1 EXTRA OIL HOLE	0.070	1.78	C4324-070	CG9
	87.50 S13	0.075" MLS-5 W/1 EXTRA OIL HOLE	0.075	1.91	C4324-075	CG9
	87.50 S13	0.120" MLS W/1 EXTRA OIL HOLE	0.120	3.05	C4324-120	CG17
	88.50 FWD	0.027 MLS W/ NO EXTRA OIL HOLES	0.027	0.69	C4130-027	CG7
	88.50 FWD	0.030 MLS W/ NO EXTRA OIL HOLES	0.030	0.76	C4130-030	CG7
	88.50 FWD	0.040 MLS W/ NO EXTRA OIL HOLES	0.040	1.02	C4130-040	CG7
	88.50 FWD	0.045 MLS W/ NO EXTRA OIL HOLES	0.045	1.14	C4130-045	CG7
	88.50 FWD	0.051 MLS W/ NO EXTRA OIL HOLES	0.051	1.30	C4130-051	CG7
	88.50 FWD	0.060" MLS-5 W/ NO EXTRA OIL	0.060	1.52	C4130-060	CG9
	88.50 FWD	0.066" MLS-5 W/ NO EXTRA OIL	0.066	1.68	C4130-066	CG9
	88.50 FWD	0.070" MLS-5 W/ NO EXTRA OIL	0.070	1.78	C4130-070	CG9
	88.50 FWD	0.075" MLS-5 W/ NO EXTRA OIL	0.075	1.91	C4130-075	CG9
	88.50 FWD	0.080 MLS-5 W/ NO EXTRA OIL	0.080	2.03	C4130-080	CG10
	88.50 FWD	0.098 MLS-5 W/ NO EXTRA OIL	0.098	2.49	C4130-098	CG10
	88.50 S14	0.027 MLS W/BOTH ADD OIL HOLES	0.027	0.69	C4283-027	CG7
	88.50 S14	0.030 MLS W/BOTH ADD OIL HOLES	0.030	0.76	C4283-030	CG7
	88.50 S14	0.036 MLS W/BOTH ADD OIL HOLES	0.036	0.91	C4283-036	CG7
	88.50 S14	0.040 MLS W/BOTH ADD OIL HOLES	0.040	1.02	C4283-040	CG7
	88.50 S14	0.045 MLS W/BOTH ADD OIL HOLES	0.045	1.14	C4283-045	CG7
	88.50 S14	0.051 MLS W/BOTH ADD OIL HOLES	0.051	1.30	C4283-051	CG7
	88.50 S14	0.060 MLS-5 W/BOTH ADD OIL HOLE	0.060	1.52	C4283-060	CG9
	88.50 S14	0.066 MLS-5 BOTH ADD OIL HOLES	0.066	1.68	C4283-066	CG9
	88.50 S14	0.075" MLS-5 BOTH ADD OIL HOLES	0.075	1.91	C4283-075	CG9
	88.50 S14	0.080 MLS-5 BOTH ADD OIL HOLES	0.080	2.03	C4283-080	CG10

GASKETS



Description	Fits bore size (mm)	Long description (inches)	Thickness (inches)	Thickness (mm)	Stock code	Price code
NISSAN						
SR20DET GTiR AWD	87.50	0.040" MLS HEAD GASKET	0.040	1.02	C4543-040	CG7
	87.50	0.045" MLS HEAD GASKET	0.045	1.14	C4543-045	CG7
	87.50	0.051" MLS HEAD GASKET	0.051	1.30	C4543-051	CG7
	87.50	0.120" MLS HEAD GASKET	0.120	3.05	C4543-120	CG17
VQ30/VQ35 V6	100.00	0.030" MLS 02-UP H/G PAIR LH & RH	0.030	0.76	C4531	CG15
	100.00 LH	0.030" MLS HEAD GASKET 02'- UP	0.030	0.76	C4343-030	CG7
	100.00 LH	0.040" MLS HEAD GASKET 02'- UP	0.040	1.02	C4343-040	CG7
	100.00 LH	0.051" MLS HEAD GASKET 02'- UP	0.051	1.30	C4343-051	CG7
	100.00 LH	0.060" MLS-5 HEAD GASKET 02'- UP	0.060	1.52	C4343-060	CG9
	100.00 RH	0.030" MLS HEAD GASKET 02'- UP	0.030	0.76	C4363-030	CG7
	100.00 RH	0.040" MLS HEAD GASKET 02'- UP	0.040	1.02	C4363-040	CG7
	100.00 RH	0.051" MLS HEAD GASKET 02'- UP	0.051	1.30	C4363-051	CG7
	100.00 RH	0.060" MLS 5 LAYER 02'- UP	0.060	1.52	C4363-060	CG9
	101.50 LH	0.030" MLS HEAD GASKET 02'- UP	0.030	0.76	C4381-030	CG7
	101.50 LH	0.040" MLS HEAD GASKET 02'- UP	0.040	1.02	C4381-040	CG7
	101.50 RH	0.030" MLS HEAD GASKET 02'- UP	0.030	0.76	C4380-030	CG7
	101.50 RH	0.040" MLS HEAD GASKET 02'- UP	0.040	1.02	C4380-040	CG7
	96.00	0.030" MLS 02-UP H/G PAIR LH & RH	0.030	0.76	C4533	CG15
	96.00 LH	0.030" MLS HEAD GASKET 02'- UP	0.030	0.76	C4345-030	CG7
	96.00 LH	0.040" MLS HEAD GASKET 02'- UP	0.040	1.02	C4345-040	CG7
	96.00 LH	0.045" MLS HEAD GASKET 02'- UP	0.045	1.14	C4345-045	CG7
	96.00 LH	0.051" MLS HEAD GASKET 02'- UP	0.051	1.30	C4345-051	CG7
	96.00 LH	0.060" MLS-5 HEAD GASKET 02'- UP	0.060	1.52	C4345-060	CG9
	96.00 LH	0.080" MLS-5 HEAD GASKET 02'- UP	0.080	2.03	C4345-080	CG13
	96.00 RH	0.030" MLS HEAD GASKET 02'- UP	0.030	0.76	C4361-030	CG7
	96.00 RH	0.040" MLS HEAD GASKET 02'- UP	0.040	1.02	C4361-040	CG7
	96.00 RH	0.045" MLS HEAD GASKET 02'- UP	0.045	1.14	C4361-045	CG7
	96.00 RH	0.051" MLS HEAD GASKET 02'- UP	0.051	1.30	C4361-051	CG7
	96.00 RH	0.060" MLS-5 HEAD GASKET 02'- UP	0.060	1.52	C4361-060	CG9
	96.00 RH	0.080" MLS-5 HEAD GASKET 02'- UP	0.080	2.03	C4361-080	CG13
	97.00 LH	0.027" MLS HEAD GASKET 02'- UP	0.027	0.69	C4509-027	CG7
	97.00 RH	0.027" MLS HEAD GASKET 02'- UP	0.027	0.69	C4510-027	CG7
	98.00	0.030" MLS 02-UP H/G PAIR LH & RH	0.030	0.76	C4532	CG15
	98.00 LH	0.030" MLS HEAD GASKET 02'- UP	0.030	0.76	C4344-030	CG7
	98.00 LH	0.040" MLS HEAD GASKET 02'- UP	0.040	1.02	C4344-040	CG7

GASKETS



Description	Fits bore size (mm)	Long description (inches)	Thickness (inches)	Thickness (mm)	Stock code	Price code
NISSAN						
VQ30/VQ35 V6	98.00 LH	0.045" MLS HEAD GASKET 02'- UP	0.045	1.14	C4344-045	CG7
	98.00 LH	0.060" MLS-5 HEAD GASKET 02- UP	0.060	1.52	C4344-060	CG9
	98.00 LH	0.075" MLS-5 HEAD GASKET 02- UP	0.075	1.91	C4344-075	CG9
	98.00 LH	0.120" MLS HEAD GASKET 02'- UP	0.120	3.05	C4344-120	CG18
	98.00 RH	0.030" MLS HEAD GASKET 02'- UP	0.030	0.76	C4362-030	CG7
	98.00 RH	0.040" MLS HEAD GASKET 02'- UP	0.040	1.02	C4362-040	CG7
	98.00 RH	0.045" MLS HEAD GASKET 02'- UP	0.045	1.14	C4362-045	CG7
	98.00 RH	0.060" MLS-5 HEAD GASKET 02- UP	0.060	1.52	C4362-060	CG9
	98.00 RH	0.075" MLS-5 HEAD GASKET 02- UP	0.075	1.91	C4362-075	CG9
	98.00 RH	0.120" MLS HEAD GASKET 02'- UP	0.120	3.05	C4362-120	CG18
OPEL						
ASCONA,KADETT 2.0L	97.00	0.040" MLS, CIH/S,CIH/E ENGINE	0.040	1.02	C4512-040	CG13
	97.00	0.051" MLS, CIH/S,CIH/E ENGINE	0.051	1.30	C4512-051	CG13
	97.00	0.060" MLS-5 CIH/S,CIH/E ENGINE	0.060	1.52	C4512-060	CG15
	97.00	0.080" MLS-5 CIH/S,CIH/E ENGINE	0.080	2.03	C4512-080	CG15
PEUGEOT						
PEUG 306GTI	86.50	0.040" MLS- XU10J4RS MOTOR	0.040	1.02	C4520-040	CG8
	86.50	0.045" MLS- XU10J4RS MOTOR	0.045	1.14	C4520-045	CG8
	86.50	0.051" MLS- XU10J4RS MOTOR	0.051	1.30	C4520-051	CG8
	88.00	0.040" MLS- XU10J4RS MOTOR	0.040	1.02	C4521-040	CG8
	88.00	0.045" MLS- XU10J4RS MOTOR	0.045	1.14	C4521-045	CG8
	88.00	0.051" MLS- XU10J4RS MOTOR	0.051	1.30	C4521-051	CG8
PEUG P405 M-16	84.00	0.040" MLS HEAD GASKET	0.040	1.02	C4225-040	CG8
	84.00	0.051" MLS HEAD GASKET	0.051	1.30	C4225-051	CG8
	84.00	0.060" MLS-5 HEAD GASKET	0.060	1.52	C4225-060	CG10
	84.00	0.066" MLS-5 HEAD GASKET	0.066	1.68	C4225-066	CG10
	84.00	0.054" MLS 5 LAYER GASKET	0.054	1.37	C4225-054	CG11
	84.00	0.120" MLS HEAD GASKET	0.120	3.05	C4225-120	CG17
	85.00	0.027" MLS HEAD GASKET	0.027	0.69	C4226-027	CG8
	85.00	0.051" MLS HEAD GASKET	0.051	1.30	C4226-051	CG8
	85.00	0.066" MLS-5 HEAD GASKET	0.066	1.68	C4226-066	CG10
	85.00	0.120" MLS HEAD GASKET	0.120	3.05	C4226-120	CG17
	86.50	0.027" MLS HEAD GASKET	0.027	0.69	C4227-027	CG8
	86.50	0.040" MLS HEAD GASKET	0.040	1.02	C4227-040	CG8
	86.50	0.051" MLS HEAD GASKET	0.051	1.30	C4227-051	CG8

GASKETS



Description	Fits bore size (mm)	Long description (inches)	Thickness (inches)	Thickness (mm)	Stock code	Price code
PEUGEOT						
PEUG P405 M-16	86.50	0.060" MLS-5 HEAD GASKET	0.060	1.52	C4227-060	CG10
	86.50	0.070" MLS-5 HEAD GASKET	0.070	1.78	C4227-070	CG10
	86.50	0.075" MLS-5 HEAD GASKET	0.075	1.91	C4227-075	CG10
	86.50	0.140" MLS-5 HEAD GASKET	0.140	3.56	C4227-140	CG17
	88.00	0.040" MLS HEAD GASKET	0.040	1.02	C4228-040	CG8
	88.00	0.045" MLS HEAD GASKET	0.045	1.14	C4228-045	CG8
	88.00	0.051" MLS HEAD GASKET	0.051	1.30	C4228-051	CG8
	88.00	0.120" MLS HEAD GASKET	0.120	3.05	C4228-120	CG17
	88.00	0.060" MLS-5 HEAD GASKET	0.060	1.52	C4228-060	CG10
	88.00	0.070" MLS-5 HEAD GASKET	0.070	1.78	C4228-070	CG10
106 16V 1997-2005	79.00	0.027" MLS 10.6L TU5J4 MOTOR	0.027	0.69	C4493-027	CG8
	79.00	0.030" MLS 10.6L TU5J4 MOTOR	0.030	0.76	C4493-030	CG8
	79.00	0.040" MLS 10.6L TU5J4 MOTOR	0.040	1.02	C4493-040	CG8
	79.00	0.051" MLS 10.6L TU5J4 MOTOR	0.051	1.30	C4493-051	CG8
	79.00	0.060" MLS-5 10.6L TU5J4 MOTOR	0.060	1.52	C4493-060	CG10
	79.00	0.066" MLS-5 10.6L TU5J4 MOTOR	0.066	1.68	C4493-066	CG10
	79.00	0.075" MLS-5 10.6L TU5J4 MOTOR	0.075	1.91	C4493-075	CG10
	79.00	0.080" MLS-5 10.6L TU5J4 MOTOR	0.080	2.03	C4493-080	CG11
	79.00	0.086" MLS-5 10.6L TU5J4 MOTOR	0.086	2.18	C4493-086	CG11
	79.00	0.098" MLS-5 10.6L TU5J4 MOTOR	0.098	2.49	C4493-098	CG11
PORSCHE						
POR 996TT 3.6L 01-04	102.00	0.040" MLS HEAD GASKET	0.040	1.02	C4492-040	CG7
944 2.5L	100.50	0.027" MLS HEAD GASKET	0.027	0.69	C4272-027	CG7
	100.50	0.030" MLS HEAD GASKET	0.030	0.76	C4272-030	CG7
	100.50	0.036" MLS HEAD GASKET	0.036	0.91	C4272-036	CG7
	100.50	0.040" MLS HEAD GASKET	0.040	1.02	C4272-040	CG7
	100.50	0.045" MLS HEAD GASKET	0.045	1.14	C4272-045	CG7
	100.50	0.051" MLS HEAD GASKET	0.051	1.30	C4272-051	CG7
	100.50	0.060" MLS-5 HEAD GASKET	0.060	1.52	C4272-060	CG9
	100.50	0.066" MLS-5 GASKET	0.066	1.68	C4272-066	CG9
	100.50	0.075" MLS-5 HEAD GASKET	0.075	1.91	C4272-075	CG9
	100.50	0.080" MLS 5-LAYER	0.080	2.03	C4272-080	CG10
	103.00	0.040" MLS HEAD GASKET	0.040	1.02	C4273-040	CG7
	103.00	0.045" MLS HEAD GASKET	0.045	1.14	C4273-045	CG7
	103.00	0.051" MLS HEAD GASKET	0.051	1.30	C4273-051	CG7
	103.00	0.060" MLS-5 HEAD GASKET	0.060	1.52	C4273-060	CG9

GASKETS



Description	Fits bore size (mm)	Long description (inches)	Thickness (inches)	Thickness (mm)	Stock code	Price code
RENAULT						
CLIO 16V 1.8/2.0	83.00	0.027" MLS HEAD F4P / F4R MOTOR	0.027	0.69	C4518-027	CG8
	83.00	0.030" MLS HEAD F4P / F4R MOTOR	0.030	0.76	C4518-030	CG8
	83.00	0.040" MLS HEAD F4P / F4R MOTOR	0.040	1.02	C4518-040	CG8
	83.00	0.051" MLS HEAD F4P / F4R MOTOR	0.051	1.30	C4518-051	CG8
	83.00	0.040" MLS ,89-99' F7P/F7R MOTR	0.040	1.02	C4539-040	CG8
	83.00	0.051" MLS ,89-99' F7P/F7R MOTR	0.051	1.30	C4539-051	CG8
	83.00	0.060" MLS-5 F4P/ F4R MOTOR	0.060	1.52	C4518-060	CG10
	83.00	0.075" MLS-5 F4P/ F4R MOTOR	0.075	1.91	C4518-075	CG10
	83.00	0.060" MLS-5 ,89-99' F7P/F7R	0.060	1.52	C4539-060	CG10
	83.00	0.075" MLS-5 ,89-99' F7P/F7R	0.075	1.91	C4539-075	CG10
	83.00	0.098" MLS-5 ,89-99' F7P/F7R	0.098	2.49	C4539-098	CG11
	84.00	0.036" MLS ,89-99' F7P/F7R MOTR	0.036	0.91	C4540-036	CG8
	84.00	0.040" MLS ,89-99' F7P/F7R MOTR	0.040	1.02	C4540-040	CG8
	84.00	0.045" MLS ,89-99' F7P/F7R MOTR	0.045	1.14	C4540-045	CG8
	84.00	0.051" MLS ,89-99' F7P/F7R MOTR	0.051	1.30	C4540-051	CG8
	84.00	0.060" MLS-5 ,89-99' F7P/F7R	0.060	1.52	C4540-060	CG10
	84.00	0.066" MLS-5 ,89-99' F7P/F7R	0.066	1.68	C4540-066	CG10
	84.00	0.070" MLS-5 ,89-99' F7P/F7R	0.070	1.78	C4540-070	CG10
	84.00	0.075" MLS-5 ,89-99' F7P/F7R	0.075	1.91	C4540-075	CG10
	84.00	0.086" MLS-5 ,89-99' F7P/F7R	0.086	2.18	C4540-086	CG11
	84.50	0.030" MLS HEAD F4P / F4R MOTOR	0.030	0.76	C4519-030	CG8
	84.50	0.040" MLS HEAD F4P / F4R MOTOR	0.040	1.02	C4519-040	CG8
	84.50	0.051" MLS HEAD F4P / F4R MOTOR	0.051	1.30	C4519-051	CG8
	84.50	0.060" MLS-5 F4P/ F4R MOTOR	0.060	1.52	C4519-060	CG10
84.50	0.070" MLS-5 F4P/ F4R MOTOR	0.070	1.78	C4519-070	CG10	
84.50	0.075" MLS-5 F4P/ F4R MOTOR	0.075	1.91	C4519-075	CG10	
SUBARU						
SUB EJ20 MOTOR	103.00	0.040" MLS GASKET SOHC 16V	0.040	1.02	C4360-040	CG2
	103.00	0.051" MLS GASKET SOHC 16V	0.051	1.30	C4360-051	CG2
	103.00	0.060" MLS-5 GASKET SOHC 16V	0.060	1.52	C4360-060	CG4
SUB EJ20EN MOTOR	93.00	0.027" MLS GASKET SOHC 16V	0.027	0.69	C4260-027	CG2
	93.00	0.040" MLS GASKET SOHC 16V	0.040	1.02	C4260-040	CG2
	93.00	0.045" MLS GASKET SOHC 16V	0.045	1.14	C4260-045	CG2
	93.00	0.051" MLS GASKET SOHC 16V	0.051	1.30	C4260-051	CG2
	93.00	0.060" MLS-5 GASKET SOHC 16V	0.060	1.52	C4260-060	CG4
	93.00	0.080" MLS-5 GASKET SOHC 16V	0.080	2.03	C4260-080	CG5

GASKETS



Description	Fits bore size (mm)	Long description (inches)	Thickness (inches)	Thickness (mm)	Stock code	Price code
SUBARU						
SUB EJ20GN TURBO	93.00	0.027" MLS GSK-DOHC 16V TURBO	0.027	0.69	C4261-027	CG2
	93.00	0.030" MLS GSK-DOHC 16V TURBO	0.030	0.76	C4261-030	CG2
	93.00	0.036" MLS GSK-DOHC 16V TURBO	0.036	0.91	C4261-036	CG2
	93.00	0.040" MLS GSK-DOHC 16V TURBO	0.040	1.02	C4261-040	CG2
	93.00	0.045" MLS GSK-DOHC 16V TURBO	0.045	1.14	C4261-045	CG2
	93.00	0.051" MLS GSK-DOHC 16V TURBO	0.051	1.30	C4261-051	CG2
	93.00	0.060" MLS-5 GSK-DOHC 16V TURBO	0.060	1.52	C4261-060	CG4
	93.00	0.066" MLS-5 GSK-DOHC 16V TURBO	0.066	1.68	C4261-066	CG4
	93.00	0.070" MLS-5 GSK-DOHC 16V TURBO	0.070	1.78	C4261-070	CG4
	93.00	0.075" MLS-5 GSK-DOHC 16V TURBO	0.075	1.91	C4261-075	CG4
	93.00	0.080" MLS-5 GSK-DOHC 16V TURBO	0.080	2.03	C4261-080	CG5
	93.00	0.086" MLS-5 GSK-DOHC 16V TURBO	0.086	2.18	C4261-086	CG5
93.00	0.095" MLS-5 GSK-DOHC 16V TURBO	0.095	2.41	C4261-095	CG5	
SUB EJ22E MOTOR	98.00	0.027" MLS GASKET SOHC 16V	0.027	0.69	C4262-027	CG2
	98.00	0.030" MLS GASKET SOHC 16V	0.030	0.76	C4262-030	CG2
	98.00	0.040" MLS GASKET SOHC 16V	0.040	1.02	C4262-040	CG2
	98.00	0.051" MLS GASKET SOHC 16V	0.051	1.30	C4262-051	CG2
SUB EJ22E TURBO	98.00	0.027" MLS GASKET SOHC 16V	0.027	0.69	C4263-027	CG2
	98.00	0.030" MLS GASKET SOHC 16V	0.030	0.76	C4263-030	CG2
	98.00	0.036" MLS GASKET SOHC 16V	0.036	0.91	C4263-036	CG2
	98.00	0.040" MLS GASKET SOHC 16V	0.040	1.02	C4263-040	CG2
	98.00	0.045" MLS GASKET SOHC 16V	0.045	1.14	C4263-045	CG2
	98.00	0.051" MLS GSK SOHC 16V TURBO	0.051	1.30	C4263-051	CG2
	98.00	0.060" MLS-5 GASKET SOHC	0.060	1.52	C4263-060	CG4
	98.00	0.066" MLS-5 GASKET SOHC	0.066	1.68	C4263-066	CG4
	98.00	0.075" MLS-5 GASKET SOHC	0.075	1.91	C4263-075	CG4
	98.00	0.120" MLS GASKET SOHC 16V	0.120	3.05	C4263-120	CG9
SUB EJ25 MOTOR	100.00	0.027" MLS GASKET DOHC 16V	0.027	0.69	C4264-027	CG2
	100.00	0.030" MLS GASKET DOHC 16V	0.030	0.76	C4264-030	CG2
	100.00	0.036" MLS GASKET DOHC 16V	0.036	0.91	C4264-036	CG2
	100.00	0.040" MLS GASKET DOHC 16V	0.040	1.02	C4264-040	CG2
	100.00	0.045" MLS GASKET DOHC 16V	0.045	1.14	C4264-045	CG2
	100.00	0.051" MLS GASKET DOHC 16V	0.051	1.30	C4264-051	CG2
	100.00	0.056" MLS-5 GASKET DOHC 16V	0.056	1.42	C4264-056	CG4
	100.00	0.060" MLS-5 GASKET DOHC 16V	0.060	1.52	C4264-060	CG4
100.00	0.066" MLS-5 GASKET DOHC 16V	0.066	1.68	C4264-066	CG4	

GASKETS



Description	Fits bore size (mm)	Long description (inches)	Thickness (inches)	Thickness (mm)	Stock code	Price code
SUBARU						
SUB EJ25 MOTOR	100.00	0.070" MLS-5 GASKET DOHC 16V	0.070	1.78	C4264-070	CG4
	100.00	0.075" MLS-5 GASKET DOHC 16V	0.075	1.91	C4264-075	CG4
	100.00	0.080" MLS-5 GASKET DOHC 16V	0.080	2.03	C4264-080	CG5
	100.00	0.098" MLS-5 GASKET DOHC 16V	0.098	2.49	C4264-098	CG5
	100.00	0.120" MLS GASKET DOHC 16V	0.120	3.05	C4264-120	CG9
TOYOTA						
1.6L 2T.2TC.3T.3T-EU	87.00	0.027" MLS CELICA,CAMRY,COROLLA	0.027	6.86	C4258-027	CG7
	87.00	0.030" MLS CELICA,CAMRY,COROLLA	0.030	0.76	C4258-030	CG7
	87.00	0.045" MLS CELICA,CAMRY,COROLLA	0.045	1.14	C4258-045	CG7
	87.00	0.051" MLS CELICA,CAMRY,COROLLA	0.051	1.30	C4258-051	CG7
	87.00	0.060" MLS-5 CELICA,CAMRY,COROLLA	0.060	1.52	C4258-060	CG9
	87.00	0.066" MLS-5 CELICA,CAMRY,COROLLA	0.066	1.68	C4258-066	CG9
	87.00	0.075" MLS-5 GASKET	0.075	1.91	C4258-075	CG9
	87.00	0.080" MLS-5 CELICA,CAMRY,COROLLA	0.080	2.03	C4258-080	CG10
	87.00	0.086" MLS-5 CELICA,CAMRY,COROLLA	0.086	2.18	C4258-086	CG10
	87.00	0.120" MLS CELICA,CAMRY,COROLLA	0.120	3.05	C4258-120	CG17
	87.00	0.140" MLS CELICA,CAMRY,COROLLA	0.140	3.56	C4258-140	CG17
	89.00	0.060" MLS-5 CELICA,COROLLA	0.060	1.52	C4176-060	CG9
	89.00	0.070" MLS-5 CELICA,COROLLA	0.070	1.78	C4176-070	CG9
	89.00	0.075" MLS-5 CELICA,COROLLA	0.075	1.91	C4176-075	CG9
	89.00	0.080" MLS-5 CELICA,COROLLA	0.080	2.03	C4176-080	CG10
	89.00	0.098" MLS-5 CELICA,COROLLA	0.098	2.49	C4176-098	CG10
	87.00	0.040" MLS CELICA,CAMRY,COROLLA	0.040	1.02	C4258-040	CG7
	89.00	0.027" MLS HEAD GASKET	0.027	0.69	C4176-027	CG7
	89.00	0.030" MLS HEAD GASKET	0.030	0.76	C4176-030	CG7
	89.00	0.040" MLS HEAD GASKET	0.040	1.02	C4176-040	CG7
	89.00	0.045" MLS HEAD GASKET	0.045	1.14	C4176-045	CG7
	89.00	0.051" MLS HEAD GASKET	0.051	1.30	C4176-051	CG7
	89.00	0.120" MLS HEAD GASKET	0.120	3.05	C4176-120	CG17
	1ZZFE 1.8L 1999 UP	80.00	0.027" MLS MR2,CELICA,COROLLA	0.027	0.69	C4496-027
80.00		0.030" MLS MR2,CELICA,COROLLA	0.030	0.76	C4496-030	CG7
80.00		0.036" MLS MR2,CELICA,COROLLA	0.036	0.91	C4496-036	CG7
80.00		0.040" MLS MR2,CELICA,COROLLA	0.040	1.02	C4496-040	CG7
80.00		0.045" MLS MR2,CELICA,COROLLA	0.045	1.14	C4496-045	CG7
80.00		0.051" MLS MR2,CELICA,COROLLA	0.051	1.30	C4496-051	CG7
80.00		0.060" MLS-5 MR2,CELICA,COROLLA	0.060	1.52	C4496-060	CG9

GASKETS



Description	Fits bore size (mm)	Long description (inches)	Thickness (inches)	Thickness (mm)	Stock code	Price code
TOYOTA						
1ZZFE 1.8L 1999 UP	82.00	0.027" MLS MR2,CELICA,COROLLA	0.027	0.69	C4497-027	CG7
	82.00	0.036" MLS MR2,CELICA,COROLLA	0.036	0.91	C4497-036	CG7
	82.00	0.040" MLS MR2,CELICA,COROLLA	0.040	1.02	C4497-040	CG7
	82.00	0.045" MLS MR2,CELICA,COROLLA	0.045	1.14	C4497-045	CG7
	82.00	0.060" MLS-5 MR2,CELICA,COROLLA	0.060	1.52	C4497-060	CG9
	82.00	0.075" MLS-5 MR2,CELICA,COROLLA	0.075	1.91	C4497-075	CG9
2.4L 22R MOTOR	92.00	0.120" MLS HEAD GASKET	0.120	3.05	C4268-120	CG17
	95.00	0.027" MLS HEAD GASKET	0.027	0.69	C4269-027	CG7
	95.00	0.070" MLS-5 HEAD GASKET	0.070	1.78	C4269-070	CG9
	95.00	0.075" MLS-5 HEAD GASKET	0.075	1.91	C4269-075	CG9
	95.00	0.080" MLS-5 HEAD GASKET	0.080	2.03	C4269-080	CG10
	95.00	0.086" MLS-5 HEAD GASKET	0.086	2.18	C4269-086	CG10
	95.00	0.095" MLS-5 HEAD GASKET	0.095	2.41	C4269-095	CG10
20R/22R MOTOR	92.00	0.120" MLS HEAD GASKET	0.120	3.05	C4269-120	CG17
	92.00	0.027" MLS HEAD GASKET 20.2/20.4L	0.027	0.69	C4268-027	CG7
	92.00	0.040" MLS HEAD GASKET 20.2/20.4L	0.040	1.02	C4268-040	CG7
	92.00	0.051" MLS HEAD GASKET 20.2/20.4L	0.051	1.30	C4268-051	CG7
	95.00	0.030" MLS HEAD GASKET 20.2/20.4L	0.030	0.76	C4269-030	CG7
	95.00	0.036" MLS HEAD GASKET 20.2/20.4L	0.036	0.91	C4269-036	CG7
	95.00	0.040" MLS HEAD GASKET 20.2/20.4L	0.040	1.02	C4269-040	CG7
	95.00	0.051" MLS HEAD GASKET 20.2/20.4L	0.051	1.30	C4269-051	CG7
	95.00	0.060" MLS-5 HEAD GASKET	0.060	1.52	C4269-060	CG9
2AZ FE 2.4L	95.00	0.066" MLS-5 HEAD GASKET	0.066	1.68	C4269-066	CG9
	89.00	0.027" MLS HEAD GASKET	0.027	0.69	C4507-027	CG7
	89.00	0.030" MLS HEAD GASKET	0.030	0.76	C4507-030	CG7
	89.00	0.040" MLS HEAD GASKET	0.040	1.02	C4507-040	CG7
	89.00	0.051" MLS HEAD GASKET	0.051	1.30	C4507-051	CG7
	92.00	0.027" MLS HEAD GASKET	0.027	0.69	C4506-027	CG7
	89.00	0.060" MLS-5 HEAD GASKET	0.060	1.52	C4507-060	CG9
2TG	87.00	0.043" CFM-20 HEAD GASKET	0.043	1.09	C4108-043	CG6
	87.00	0.059" CFM-20 HEAD GASKET	0.059	1.50	C4108-059	CG6
4AG-GE	81.00	0.027" MLS HEAD GASKET	0.027	0.69	C4170-027	CG7
	81.00	0.030" MLS HEAD GASKET	0.030	0.76	C4170-030	CG7
	81.00	0.036" MLS HEAD GASKET	0.036	0.91	C4170-036	CG7
	81.00	0.040" MLS HEAD GASKET	0.040	1.02	C4170-040	CG7
	81.00	0.045" MLS HEAD GASKET	0.045	1.14	C4170-045	CG7

GASKETS



Description	Fits bore size (mm)	Long description (inches)	Thickness (inches)	Thickness (mm)	Stock code	Price code
TOYOTA						
4AG-GE	81.00	0.051" MLS HEAD GASKET	0.051	1.30	C4170-051	CG7
	81.00	0.056" MLS-5 HEAD GASKET	0.056	1.42	C4170-056	CG9
	81.00	0.060" MLS-5 HEAD GASKET	0.060	1.52	C4170-060	CG9
	81.00	0.066" MLS-5 HEAD GASKET	0.066	1.68	C4170-066	CG9
	81.00	0.075" MLS-5 HEAD GASKET	0.075	1.91	C4170-075	CG9
	81.00	0.080" MLS-5 HEAD GASKET	0.080	2.03	C4170-080	CG10
	81.00	0.098" MLS-5 HEAD GASKET	0.098	2.49	C4170-098	CG10
	81.00	0.120" MLS HEAD GASKET	0.120	3.05	C4170-120	CG17
	83.00	0.040" MLS HEAD GASKET	0.040	1.02	C4166-040	CG7
	83.00	0.045" MLS HEAD GASKET	0.045	1.14	C4166-045	CG7
	83.00	0.051" MLS HEAD GASKET	0.051	1.30	C4166-051	CG7
	83.00	0.027" MLS HEAD GASKET	0.027	0.69	C4166-027	CG7
	83.00	0.030" MLS HEAD GASKET	0.030	0.76	C4166-030	CG7
	83.00	0.036" MLS HEAD GASKET	0.036	0.91	C4166-036	CG7
	83.00	0.060" MLS-5 HEAD GASKET	0.060	1.52	C4166-060	CG9
	83.00	0.066" MLS-5 HEAD GASKET	0.066	1.68	C4166-066	CG9
	83.00	0.070" MLS-5 HEAD GASKET	0.070	1.78	C4166-070	CG9
	83.00	0.075" MLS-5 HEAD GASKET	0.075	1.91	C4166-075	CG10
	83.00	0.080" MLS-5 HEAD GASKET	0.080	2.03	C4166-080	CG10
	83.00	0.098" MLS-5 HEAD GASKET	0.098	2.49	C4166-098	CG10
83.00	0.120" MLS HEAD GASKET	0.120	3.05	C4166-120	CG17	
TOY/LEXUS SUPRA 1993 UP	87.00	0.027" MLS 2JZ MOTOR	0.027	0.69	C4276-027	CG14
	87.00	0.036" MLS 2JZ MOTOR	0.036	0.91	C4276-036	CG14
	87.00	0.040" MLS 2JZ MOTOR	0.040	1.02	C4276-040	CG14
	87.00	0.045" MLS 2JZ MOTOR	0.045	1.14	C4276-045	CG14
	87.00	0.051" 3 LAYER MLS 2JZ MOTOR	0.051	1.30	C4276-051	CG14
	87.00	0.060" MLS-5 2JZ MOTOR	0.060	1.52	C4276-060	CG16
	87.00	0.062" MLS-5 2JZ MOTOR	0.062	1.57	C4276-062	CG16
	87.00	0.066" MLS-5 2JZ MOTOR	0.066	1.68	C4276-066	CG16
	87.00	0.070" MLS-5 2JZ MOTOR	0.070	1.78	C4276-070	CG16
	87.00	0.075" MLS-5 2JZ MOTOR	0.075	1.91	C4276-075	CG16
	87.00	0.077" MLS-5 2JZ MOTOR	0.077	1.96	C4276-077	CG17
	87.00	0.080" MLS-5 2JZ MOTOR	0.080	2.03	C4276-080	CG17

GASKETS



Description	Fits bore size (mm)	Long description (inches)	Thickness (inches)	Thickness (mm)	Stock code	Price code
TOYOTA						
TOY/LEXUS SUPRA 1993 UP	87.00	0.092" MLS-5 2JZ MOTOR	0.092	2.34	C4276-092	CG17
	87.00	0.095" MLS-5 2JZ MOTOR	0.095	2.41	C4276-095	CG17
	87.00	0.098" MLS-5 2JZ MOTOR	0.098	2.49	C4276-098	CG17
	87.00	0.120" MLS 2JZ MOTOR	0.120	3.05	C4276-120	CG19
1GR-FE 4.0L V6 RHS	95.50	0.027" MLS BORE H/G	0.027	0.69	C4557-027	CG7
	95.50	0.040" MLS BORE H/G	0.040	1.02	C4557-040	CG7
	95.50	0.051" MLS BORE H/G	0.051	1.30	C4557-051	CG7
3S-GE/3S-GTE	87.00	0.030" MLS HEAD GASKET 87-97	0.030	0.76	C4314-030	CG7
	87.00	0.036" MLS HEAD GASKET 87-97	0.036	0.91	C4314-036	CG7
	87.00	0.040" MLS HEAD GASKET 87-97	0.040	1.02	C4314-040	CG7
	87.00	0.045" MLS HEAD GASKET 87-97	0.045	1.14	C4314-045	CG7
	87.00	0.051" MLS HEAD GASKET 87-97	0.051	1.30	C4314-051	CG7
	87.00	0.056" MLS-5 HEAD GASKET 87-97	0.056	1.42	C4314-056	CG9
	87.00	0.060" MLS-5 HEAD GASKET 87-97	0.060	1.52	C4314-060	CG9
	87.00	0.062" MLS-5 HEAD GASKET 87-97	0.062	1.57	C4314-062	CG9
	87.00	0.066" MLS-5 HEAD GASKET 87-97	0.066	1.68	C4314-066	CG9
	87.00	0.070" MLS-5 HEAD GASKET 87-97	0.070	1.78	C4314-070	CG9
	87.00	0.075" MLS-5 HEAD GASKET 87-97	0.075	1.91	C4314-075	CG9
	87.00	0.080" MLS-5 HEAD GASKET 87-97	0.080	2.03	C4314-080	CG10
	87.00	0.086" MLS-5 HEAD GASKET 87-97	0.086	2.18	C4314-086	CG10
	87.00	0.120" MLS HEAD GASKET 87-97	0.120	3.05	C4314-120	CG17
SUPRA 1987-1992	84.00	0.030" MLS 7MGTE MOTOR	0.030	0.76	C4278-030	CG14
	84.00	0.036" MLS 7MGTE MOTOR	0.036	0.91	C4278-036	CG14
	84.00	0.040" MLS 7MGTE MOTOR	0.040	1.02	C4278-040	CG14
	84.00	0.051" MLS 7MGTE MOTOR	0.051	1.30	C4278-051	CG14
	84.00	0.056" MLS-5 7MGTE MOTOR	0.056	1.42	C4278-056	CG16
	84.00	0.060" MLS-5 7MGTE MOTOR	0.060	1.52	C4278-060	CG16
	84.00	0.062" MLS-5 7MGTE MOTOR	0.062	1.57	C4278-062	CG16
	84.00	0.066" MLS-5 7MGTE MOTOR	0.066	1.68	C4278-066	CG16
	84.00	0.070" MLS-5 7MGTE MOTOR	0.070	1.78	C4278-070	CG16
	84.00	0.075" MLS-5 7MGTE MOTOR	0.075	1.91	C4278-075	CG16
	84.00	0.080" MLS-5 7MGTE MOTOR	0.080	2.03	C4278-080	CG17
	84.00	0.086" MLS-5 7MGTE MOTOR	0.086	2.18	C4278-086	CG17

GASKETS



Description	Fits bore size (mm)	Long description (inches)	Thickness (inches)	Thickness (mm)	Stock code	Price code
TOYOTA						
SUPRA 1987-1992	84.00	0.095" MLS-5 7MGTE MOTOR	0.095	2.41	C4278-095	CG17
	84.00	0.120" MLS 7MGTE MOTOR	0.120	3.05	C4278-120	CG19
	86.00	0.051" MLS 7MGTE MOTOR	0.051	1.30	C4275-051	CG14
	86.00	0.060" MLS-5 7MGTE MOTOR	0.060	1.52	C4275-060	CG16
	86.00	0.066" MLS-5 7MGTE MOTOR	0.066	1.68	C4275-066	CG16
	86.00	0.070" MLS-5 7MGTE MOTOR	0.070	1.78	C4275-070	CG16
	86.00	0.075" MLS-5 7MGTE MOTOR	0.075	1.91	C4275-075	CG16
	86.00	0.080" MLS-5 7MGTE MOTOR	0.080	2.03	C4275-080	CG17
	86.00	0.098" MLS-5 7MGTE MOTOR	0.098	2.49	C4275-098	CG17
	86.00	0.120" MLS 7MGTE MOTOR	0.120	3.05	C4275-120	CG19
VAUXHALL						
16 VALVE 2L	88.00	0.027" MLS HEAD GASKET	0.027	0.69	C4216-027	CG7
	88.00	0.030" MLS HEAD GASKET	0.030	0.76	C4216-030	CG7
	88.00	0.036" MLS HEAD GASKET	0.036	0.91	C4216-036	CG7
	88.00	0.040" MLS HEAD GASKET	0.040	1.02	C4216-040	CG7
	88.00	0.045" MLS HEAD GASKET	0.045	1.14	C4216-045	CG7
	88.00	0.051" MLS HEAD GASKET	0.051	1.30	C4216-051	CG7
	88.00	0.060" MLS-5 HEAD GASKET	0.060	1.52	C4216-060	CG9
	88.00	0.066" MLS 5-LAYER GASKET	0.066	1.68	C4216-066	CG9
	88.00	0.070" MLS 5-LAYER GASKET	0.070	1.78	C4216-070	CG9
	88.00	0.075" MLS 5-LAYER GASKET	0.075	1.91	C4216-075	CG9
	88.00	0.080" MLS 5-LAYER GASKET	0.080	2.03	C4216-080	CG10
	88.00	0.086" MLS-5 HEAD GASKET	0.085	2.16	C4216-086	CG10
	88.00	0.092" MLS-5 HEAD GASKET	0.092	2.34	C4216-092	CG10
	88.00	0.120" MLS HEAD GASKET	0.120	3.05	C4216-120	CG17
VAUXHALL / OPEL						
2.3L 4CYL.	99.00	0.059 CFM HEAD	0.059	1.50	C4129-059	CG6
16 V 1.6L	82.00	0.030" MLS HEAD GASKET	0.030	0.76	C4257-030	CG7
	82.00	0.040" MLS HEAD GASKET	0.040	1.02	C4257-040	CG7
	82.00	0.045" MLS HEAD GASKET	0.045	1.14	C4257-045	CG7
	82.00	0.051" MLS HEAD GASKET	0.051	1.30	C4257-051	CG7
	82.00	0.070" MLS-5 HEAD GASKET	0.070	1.78	C4257-070	CG9
	82.00	0.075" MLS-5 HEAD GASKET	0.075	1.91	C4257-075	CG9
	82.00	0.089" MLS HEAD GASKET	0.089	2.26	C4257-089	CG10

GASKETS



Description	Fits bore size (mm)	Long description (inches)	Thickness (inches)	Thickness (mm)	Stock code	Price code
VW/AUDI						
1.8T 1997 UP 20V AEB	82.00	0.051" MLS HEAD GASKET	0.051	1.30	C4558-051	CG7
	85.00	0.051" MLS HEAD GASKET	0.051	1.30	C4559-051	CG7
1800/2000CC	83.00	0.027" MLS HEAD GASKET	0.027	0.69	C4247-027	CG7
	83.00	0.030" MLS HEAD GASKET	0.030	0.76	C4247-030	CG7
	83.00	0.036" MLS HEAD GASKET	0.036	0.91	C4247-036	CG7
	83.00	0.040" MLS HEAD GASKET	0.040	1.02	C4247-040	CG7
	83.00	0.045" MLS HEAD GASKET	0.045	1.14	C4247-045	CG7
	83.00	0.051" MLS HEAD GASKET	0.051	1.30	C4247-051	CG7
	83.00	0.060" MLS-5 HEAD GASKET	0.060	1.52	C4247-060	CG9
	83.00	0.070" MLS-5 HEAD GASKET	0.070	1.78	C4247-070	CG9
	83.00	0.075" MLS-5 HEAD GASKET	0.075	1.91	C4247-075	CG9
	83.00	0.098" MLS-5 HEAD GASKET	0.098	2.49	C4247-098	CG10
	83.00	0.120" MLS HEAD GASKET	0.120	3.05	C4247-120	CG17
	85.00	0.027" MLS HEAD GASKET	0.027	0.69	C4246-027	CG7
	85.00	0.030" MLS HEAD GASKET	0.030	0.76	C4246-030	CG7
	85.00	0.040" MLS HEAD GASKET	0.040	1.02	C4246-040	CG7
	85.00	0.045" MLS HEAD GASKET	0.045	1.14	C4246-045	CG7
	85.00	0.051" MLS HEAD GASKET	0.051	1.30	C4246-051	CG7
	85.00	0.060" MLS-5 HEAD GASKET	0.060	1.52	C4246-060	CG9
	85.00	0.066" MLS-5 HEAD GASKET	0.066	1.68	C4246-066	CG9
	85.00	0.080" MLS-5 HEAD GASKET	0.080	2.03	C4246-080	CG10
	85.00	0.120" MLS HEAD GASKET	0.120	3.05	C4246-120	CG17
85.00	0.140" MLS-5 HEAD GASKET	0.140	3.56	C4246-140	CG17	
2.0L 16V 2005 + BWA/BPY	83.50	0.040" MLS HEAD GASKET	0.040	1.02	C4541-040	CG7
	83.50	0.051" MLS HEAD GASKET	0.051	1.30	C4541-051	CG7
	83.50	0.050" MLS-5 H/G	0.050	1.27	C4541-050	CG9
	83.50	0.065" 5 LAYER MLS H/G	0.065	1.65	C4541-065	CG9
	83.50	0.086" MLS HEAD GASKET	0.086	2.18	C4541-086	CG10

PINLIST



T = konisch / conical shape
 C = verchromt / chromium plated for plain bearing only
 S = zylindrisch / cylindrical shape
 R = Radius / radius
 ØD = Außen-Ø / Ø outside
 Ød = Innen-Ø / Ø inside

*Größen in Millimeter, wenn nichts anderes explizit vermerkt ist
 Dimensions in millimeters if nothing else is explicitly written

Ø	Part no.	Dimensions*			Typ	Weight (g)	Price code
		ØD	Ød	length			
10.00	WP105	10.00	7.00	33.00	S	10.00	13
12.00	WP091	12.00	8.00	37.50	S	18.00	13
	WP101	12.00	8.00	33.00	S	16.00	13
13.00	WP088	13.00	8.00	40.00	CT	24.00	13
14.00	WP058	14.00	10.00	38.50	T	21.00	13
	WP025	14.00	9.00	45.00	S	31.00	13
	WP063	14.00	8.00	38.50	CT	28.00	13
15.00	WP032	15.00	10.00	45.00	T	33.00	13
	WP011	15.00	9.00	45.00	S	39.00	13
	WP067	15.00	10.00	41.00	T	29.00	13
	WP102	15.00	10.00	54.00	CS	41.00	13
16.00	WP087	16.00	10.00	36.00	CT	33.00	13
	WP036	16.00	10.00	45.00	T	41.00	13
	WP041	16.00	10.50	51.00	T	42.00	13
	WP059	16.00	9.00	45.00	CT	44.00	13
	WP027	16.00	11.00	56.20	T	44.00	13
	WP066	16.00	9.00	42.00	CS	45.00	13
	WP070	16.00	9.00	38.00	CS	41.00	13
	WP083	17.00	10.00	46.00	CT	49.00	13
17.00	WP090	17.00	10.00	51.00	CT	55.00	13
	WP089	17.00	10.00	58.00	CT	63.00	13
	WP045	17.00	11.00	61.00	CS	63.00	13
	WP054	18.00	11.00	45.00	CT	54.00	13
18.00	WP049	18.00	12.00	45.00	CT	45.00	13
	WP072	18.00	8.00	46.00	CT	70.00	13
	WP099	18.00	10.00	51.00	CT	68.00	13
	WP053	18.00	9.00	51.00	CT	71.00	13
	WP031	18.00	11.00	51.00	CT	60.00	13
	WP039	18.00	12.00	56.00	T	59.00	13
	WP042	18.00	11.00	62.80	T	71.00	13
	WP040	18.00	13.00	53.20	T	47.00	13
	WP033	18.00	13.00	56.00	T	49.00	13
	WP064	18.00	10.00	56.00	CS	76.00	13
	WP079	18.00	12.00	62.80	S	74.00	13

Ø	Part no.	Dimensions*			Typ	Weight (g)	Price code
		ØD	Ød	length			
18.50	WP084	18.50	11.00	55.50	CT	71.00	13
19.00	WP037	19.00	10.00	51.00	T	75.00	13
	WP071	19.00	9.20	46.00	T	74.00	13
	WP028	19.00	12.00	46.00	CT	56.00	13
	WP018	19.00	12.00	48.00	CT	58.00	13
	WP050	19.00	12.00	51.00	CT	61.00	13
	WP026	19.00	12.00	55.50	CT	68.00	13
	WP044	19.00	13.00	56.40	T	62.00	13
	WP019	19.00	13.00	61.00	S	73.00	13
19.46	WP096	19.46	12.00	51.00	CT	66.00	13
	WP035	19.46	12.00	61.00	CT	80.00	13
20.00	WP052	20.00	12.00	55.00	CT	79.00	14
	WP029	20.00	13.00	46.00	CT	58.00	14
	WP038	20.00	13.00	51.00	T	66.00	14
	WP061	20.00	11.00	61.00	CS	105.00	14
	WP086	20.00	13.00	61.00	T	79.00	14
	WP065	20.00	11.00	55.00	CS	93.00	14
	WP068	20.00	12.00	51.00	CR	75.00	14
	WP073	20.00	10.00	46.00	CT	81.00	14
	WP075	20.00	12.50	49.00	CT	72.00	14
	WP076	20.00	14.00	56.00	T	63.00	14
21.00	WP013	21.00	13.50	46.00	CT	73.00	14
	WP051	21.00	13.50	51.00	CT	75.00	14
	WP034	21.00	13.00	55.50	CT	86.00	14
	WP092	21.00	12.00	61.00	CS	111.00	14
	WP081	21.00	14.00	61.00	T	82.00	14

PINLIST



T = konisch / conical shape
 C = verchromt / chromium plated for plain bearing only
 S = zylindrisch / cylindrical shape
 R = Radius / radius
 ØD = Außen-Ø / Ø outside
 Ød = Innen-Ø / Ø inside

*Größen in Millimeter, wenn nichts anderes explizit vermerkt ist
 Dimensions in millimeters if nothing else is explicitly written

Ø	Part no.	Dimensions*			Typ	Weight (g)	Price code
		ØD	Ød	length			
22.00	WP097	22.00	12.00	46.00	CS	96.00	14
	WP055	22.00	14.00	46.00	CT	69.00	14
	WP009	22.00	14.00	51.00	CT	76.00	14
	WP098	22.00	13.00	51.00	CS	99.00	14
	WP017	22.00	14.00	55.00	CT	87.00	14
	WP046	22.00	14.00	63.00	CT	98.00	14
	WP080	22.00	15.00	61.00	T	87.00	14
	WP077	22.00	16.00	63.00	T	83.00	14
	WP069	22.00	14.00	63.00	C	104.00	14
23.00	WP008	23.00	13.00	50.50	CT	98.00	14
	WP047	23.00	13.00	50.50	CS	112.00	14
	WP024	23.00	15.00	55.50	CT	95.00	14
	WP094	23.00	13.00	61.00	CT	126.00	14
	WP082	23.00	13.00	55.50	CS	123.00	14
24.00	WP023	24.00	16.00	51.00	CT	92.00	14
	WP057	24.00	17.00	56.00	CT	90.00	14
	WP022	24.00	16.00	63.50	CT	121.00	14
	WP078	24.00	17.00	68.00	T	113.00	14
26.00	WP104	26.00	16.00	63.00	C	161.00	13

Ø	Part no.	Dimensions*			Typ	Weight (g)	Price code
		ØD	Ød	length			
17.463	WP062	11/16"	11.00	51.00	CT	51.00	13
19.05	WP048	3/4"	12.00	56.00	CT	68.00	13
20.12	WP020	0.792"	12.00	51.00	CT	73.00	14
	WP021	0.792"	12.00	56.00	CT	82.00	14
	WP093	0.792"	13.00	72.00	CS	104.00	14
20.63	WP195	13/16"	13.00	55.50	CT	79.00	14
	WP095	20.625	13.00	55.50	CT	79.00	14
	WP174	13/16"	12.50	49.00	CT	76.00	14
	WP074	20.625	12.50	49.00	CT	76.00	14
22.22	WP085	7/8"	14.00	63.00	CT	105.00	14
23.55	WP056	0.927"	15.90	56.00	CT	96.00	14
	WP060	0.927"	15.90	51.00	CT	86.00	14
	WP100	0.927"	15.70	2.25"	CS	108.00	14
	WP103	0.927"	14.00	2.75"	CS	154.00	14
23.813	WP043	15/16"	15.00	63.00	CT	124	14

RINGLIST



Alle Wössner Ringe können in Guss, sowie Nikasil® Zylindern eingesetzt werden.
All Woessner rings can be used in cast iron, Nikasil®, boron composite® and Electrofusion bores.

Achtung: Wössner 4-Takt-Ringe dürfen nicht in verchromten Bohrungen eingesetzt werden.

Caution: Wössner 4-stroke rings can not be used in chrome plated bores

Ring part no.	Fits bore dia. (mm)	Top ring (mm)	Second ring (mm)	Oil ring (mm)	Price code
530XKS	53.00	1.00	0.80	2.00	18
535XKS	53.50	1.00	0.80	2.00	18
540XKS	54.00	1.00	0.80	2.00	18
545XKS	54.50	1.00	0.80	2.00	18
550XKS	55.00	1.00	0.80	2.00	18
560XKS	56.00	1.00	0.80	2.00	18
565XKS	56.50	1.00	0.80	2.00	18
570XKS	57.00	1.00	0.80	2.00	18
575XKS	57.50	1.00	0.80	2.00	18
580XKS	58.00	1.00	0.80	2.00	18
585XKS	58.50	1.00	0.80	2.00	18
590XKS	59.00	1.00	0.80	2.00	18
595XKS	59.50	1.00	0.80	2.00	18
600XGS	60.00	1.00	1.00	2.00	18
600XKS	60.00	1.00	0.80	2.00	18
605XKS	60.50	1.00	0.80	2.00	18
605XDS	60.50	1.00	1.20	2.00	18
610XKS	61.00	1.00	0.80	2.00	18
615XKS	61.50	1.00	0.80	2.00	18
620XKS	62.00	1.00	0.80	2.00	18
625XKS	62.50	1.00	0.80	2.00	18
630XKS	63.00	1.00	0.80	2.00	18
635XKS	63.50	1.00	0.80	2.00	18
640XKS	64.00	1.00	0.80	2.00	18
645XKS	64.50	1.00	0.80	2.00	18
650XKS	65.00	1.00	0.80	2.00	18
650XDS	65.00	1.00	1.20	2.00	18
655XGS	65.50	1.00	1.00	2.00	18
660XKS	66.00	1.00	0.80	2.00	18
665XKS	66.50	1.00	0.80	2.00	18
670XKS	67.00	1.00	0.80	2.00	18
675XKS	67.50	1.00	0.80	2.00	18
680XKS	68.00	1.00	0.80	2.00	18
685XKS	68.50	1.00	0.80	2.00	18
690XKS	69.00	1.00	0.80	2.00	18
695XKS	69.50	1.00	0.80	2.00	18
700XDS	70.00	1.00	1.20	2.00	18
705XDS	70.50	1.00	1.20	2.00	18
710XDS	71.00	1.00	1.20	2.00	18

Ring part no.	Fits bore dia. (mm)	Top ring (mm)	Second ring (mm)	Oil ring (mm)	Price code
715XDS	71.50	1.00	1.20	2.00	18
720XDS	72.00	1.00	1.20	2.00	18
725XDS	72.50	1.00	1.20	2.00	18
730XDS	73.00	1.00	1.20	2.00	18
730XAS	73.00	0.80	0.80	1.50	18
735XDS	73.50	1.00	1.20	2.00	18
740XDS	74.00	1.00	1.20	2.00	18
740XTZ	74.00	1.50	1.20	2.00	18
745XDS	74.50	1.00	1.20	2.00	18
745XTZ	74.50	1.50	1.20	2.00	18
750XDS	75.00	1.00	1.20	2.00	18
750XTZ	75.00	1.50	1.20	2.00	18
755XDS	75.50	1.00	1.20	2.00	18
755XTZ	75.50	1.50	1.20	2.00	18
760XDS	76.00	1.00	1.20	2.00	18
760XTZ	76.00	1.50	1.20	2.00	18
760XMS	76.00	0.80	0.80	2.00	18
760XAS	76.00	0.80	0.80	1.50	18
765XDS	76.50	1.00	1.20	2.00	18
765XTZ	76.50	1.50	1.20	2.00	18
766XTZ	76.60	1.50	1.20	2.00	18
768XAS-2	76.08	0.80	-	1.50	18
770XKS	77.00	1.00	0.80	2.00	18
770XTT	77.00	1.00	1.20	3.00	18
770XDS	77.00	1.00	1.20	2.00	18
770XTZ	77.00	1.50	1.20	2.00	18
770XTD	77.00	1.50	1.20	3.00	18
770XAS-2	77.00	0.80	0.80	1.50	18
772XDS	77.25	1.00	1.20	2.00	18
775XDS	77.50	1.00	1.20	2.00	18
775XTZ	77.50	1.50	1.20	2.00	18
780XMS	78.00	0.80	0.80	2.00	18
780XDS	78.00	1.00	1.20	2.00	18
780XTT	78.00	1.00	1.20	3.00	18
780XTZ	78.00	1.50	1.20	2.00	18
780XAS	78.00	0.80	0.80	1.50	18
785XDS	78.50	1.00	1.20	2.00	18

RINGLIST



Alle Wössner Ringe können in Guss, sowie Nikasil® Zylindern eingesetzt werden.
All Woessner rings can be used in cast iron, Nikasil®, boron composite® and Electrofusion bores.

Achtung: Wössner 4-Takt-Ringe dürfen nicht in verchromten Bohrungen eingesetzt werden.

Caution: Wössner 4-stroke rings can not be used in chrome plated bores

Ring part no.	Fits bore dia. (mm)	Top ring (mm)	Second ring (mm)	Oil ring (mm)	Price code
785XTZ	78.50	1.50	1.20	2.00	18
787XDS	78.70	1.00	1.20	2.00	18
787XTZ	78.70	1.50	1.20	2.00	18
790XMS	79.00	0.80	0.80	2.00	18
790XDS	79.00	1.00	1.20	2.00	18
790XTZ	79.00	1.50	1.20	2.00	18
795XDS	79.50	1.00	1.20	2.00	18
795XTZ	79.50	1.50	1.20	2.00	18
797XDS	79.75	1.00	1.20	2.00	18
800XTT	80.00	1.00	1.20	3.00	19
800XDS	80.00	1.00	1.20	2.00	19
800XTZ	80.00	1.50	1.20	2.00	19
802XDS	80.25	1.00	1.20	2.00	19
805XDS	80.50	1.00	1.20	2.00	19
805XTZ	80.50	1.50	1.20	2.00	19
810XDS	81.00	1.00	1.20	2.00	19
810XSY	81.00	1.00	1.20	2.50	19
810XTY	81.00	1.50	1.20	2.50	19
815XSY	81.50	1.00	1.20	2.50	19
815XTY	81.50	1.50	1.20	2.50	19
820XSY	82.00	1.00	1.20	2.50	19
820XDS	82.00	1.00	1.20	2.00	19
820XTY	82.00	1.50	1.20	2.50	19
825XSY	82.50	1.00	1.20	2.50	19
825XTY	82.50	1.50	1.20	2.50	19
827XDS	82.70	1.00	1.20	2.00	19
827XSY	82.70	1.00	1.20	2.50	19
827XTY	82.70	1.50	1.20	2.50	19
830XSY	83.00	1.00	1.20	2.50	19
830XTY	83.00	1.50	1.20	2.50	19
830XDS	83.00	1.00	1.20	2.00	19
835XSY	83.50	1.00	1.20	2.50	19
835XTY	83.50	1.50	1.20	2.50	19
840XSY	84.00	1.00	1.20	2.50	19
840XTY	84.00	1.50	1.20	2.50	19
840XDS	84.00	1.00	1.20	2.00	19
842XSY	84.20	1.00	1.20	2.50	19
842XTY	84.20	1.50	1.20	2.50	19

Ring part no.	Fits bore dia. (mm)	Top ring (mm)	Second ring (mm)	Oil ring (mm)	Price code
844XSY	84.40	1.00	1.20	2.50	19
844XTY	84.40	1.50	1.20	2.50	19
845XSY	84.50	1.00	1.20	2.50	19
845XTY	84.50	1.50	1.20	2.50	19
846XSY	84.60	1.00	1.20	2.50	19
846XTY	84.60	1.50	1.20	2.50	19
847XSY	84.75	1.00	1.20	2.50	19
848XSY	84.80	1.00	1.20	2.50	19
848XTY	84.80	1.50	1.20	2.50	19
850XSY	85.00	1.00	1.20	2.50	19
850XTY	85.00	1.50	1.20	2.50	19
855XSY	85.50	1.00	1.20	2.50	19
855XTY	85.50	1.50	1.20	2.50	19
860XDS	86.00	1.00	1.20	2.00	19
860XSY	86.00	1.00	1.20	2.50	19
860XTY	86.00	1.50	1.20	2.50	19
862XSY	86.25	1.00	1.20	2.50	19
862XTY	86.25	1.50	1.20	2.50	19
865XSY	86.50	1.00	1.20	2.50	19
865XTY	86.50	1.50	1.20	2.50	19
867XSY	86.75	1.00	1.20	2.50	19
867XTY	86.75	1.50	1.20	2.50	19
870XSY	87.00	1.00	1.20	2.50	19
870XTY	87.00	1.50	1.20	2.50	19
875XSY	87.50	1.00	1.20	2.50	19
875XTY	87.50	1.50	1.20	2.50	19
880XSY	88.00	1.00	1.20	2.50	19
880XTY	88.00	1.50	1.20	2.50	19
880XDS	88.00	1.00	1.20	2.00	19
885XSY	88.50	1.00	1.20	2.50	19
885XTY	88.50	1.50	1.20	2.50	19
890XSY	89.00	1.00	1.20	2.50	19
890XTY	89.00	1.50	1.20	2.50	19
892XSY	89.250	1.00	1.20	2.50	19
895XSY	89.50	1.00	1.20	2.50	19
897XSY	89.75	1.00	1.20	2.50	19
895XTY	89.50	1.50	1.20	2.50	19
900XDS	90.00	1.00	1.20	2.00	19
900XSY	90.00	1.00	1.20	2.50	19

RINGLIST



Alle Wössner Ringe können in Guss, sowie Nikasil® Zylindern eingesetzt werden.
All Woessner rings can be used in cast iron, Nikasil®, boron composite® and Electrofusion bores.

Achtung: Wössner 4-Takt-Ringe dürfen nicht in verchromten Bohrungen eingesetzt werden.

Caution: Wössner 4-stroke rings can not be used in chrome plated bores

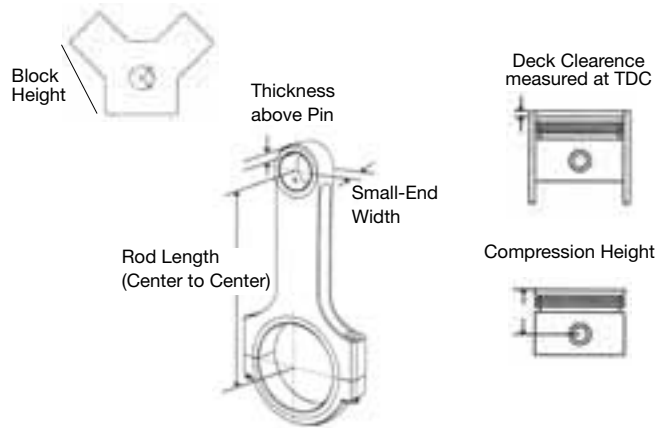
Ring part no.	Fits bore dia. (mm)	Top ring (mm)	Second ring (mm)	Oil ring (mm)	Price code
900XTY	90.00	1.50	1.20	2.50	19
905XSY	90.50	1.00	1.20	2.50	19
905XTY	90.50	1.50	1.20	2.50	19
910XSY	91.00	1.00	1.20	2.50	19
910XTY	91.00	1.50	1.20	2.50	19
912XSY	91.25	1.00	1.20	2.50	19
912XTY	91.25	1.50	1.20	2.50	19
915XSY	91.50	1.00	1.20	2.50	19
915XTY	91.50	1.50	1.20	2.50	19
917XSY	91.75	1.00	1.20	2.50	19
917XTY	91.75	1.50	1.20	2.50	19
920XDS	92.00	1.00	1.20	2.00	19
920XSY	92.00	1.00	1.20	2.50	19
920XTY	92.00	1.50	1.20	2.50	19
925XSY	92.50	1.00	1.20	2.50	19
925XTY	92.50	1.50	1.20	2.50	19
930XSY	93.00	1.00	1.20	2.50	19
930XTY	93.00	1.50	1.20	2.50	19
935XSY	93.50	1.00	1.20	2.50	19
935XTY	93.50	1.50	1.20	2.50	19
936XSY	93.60	1.00	1.20	2.50	19
938XSY	93.80	1.00	1.20	2.50	19
938XTY	93.80	1.50	1.20	2.50	19
940XSY	94.00	1.00	1.20	2.50	19
940XTY	94.00	1.50	1.20	2.50	19
942XSY	94.20	1.00	1.20	2.50	19
942XTY	94.20	1.50	1.20	2.50	19
945XSY	94.50	1.00	1.20	2.50	19
945XTY	94.50	1.50	1.20	2.50	19
950XDS	95.00	1.00	1.20	2.00	19
950XSY	95.00	1.00	1.20	2.50	19
950ADS-2	95.00	1.00	-	2.00	19
950XTY	95.00	1.50	1.20	2.50	19
955XSY	95.50	1.00	1.20	2.50	19
955XTY	95.50	1.50	1.20	2.50	19
960XSY	96.00	1.00	1.20	2.50	19
960ADS-2	96.00	1.00	-	2.00	19
960XTY	96.00	1.50	1.20	2.50	19
965XTY	96.50	1.50	1.20	2.50	19

Ring part no.	Fits bore dia. (mm)	Top ring (mm)	Second ring (mm)	Oil ring (mm)	Price code
965XSY	96.50	1.00	1.20	2.50	19
970XTY	97.00	1.50	1.20	2.50	19
970XSY	97.00	1.00	1.20	2.50	19
970ADS-2	97.00	1.00	-	2.00	19
970XDS	97.00	1.00	1.20	2.00	19
975XSY	97.50	1.00	1.20	2.50	19
975XTY	97.50	1.50	1.20	2.50	19
980XSY	98.00	1.00	1.20	2.50	19
980ADS-2	98.00	1.00	-	2.00	19
980XDS	98.00	1.00	1.20	2.00	19
980XTY	98.00	1.50	1.20	2.50	19
985XSY	98.50	1.00	1.20	2.50	19
985XTY	98.50	1.50	1.20	2.50	19
987XSY	98.75	1.00	1.20	2.50	19
990XSY	99.00	1.00	1.20	2.50	19
990XTY	99.00	1.50	1.20	2.50	19
992XSY	99.20	1.00	1.20	2.50	19
995XSY	99.50	1.00	1.20	2.50	19
995XTY	99.50	1.50	1.20	2.50	19
1000ADS-2	100.00	1.00	-	2.00	20
1000XSY	100.00	1.00	1.20	2.50	20
1000XTY	100.00	1.50	1.20	2.50	20
1005XSY	100.50	1.00	1.20	2.50	20
1005XTY	100.50	1.50	1.20	2.50	20
1010XSY	101.00	1.00	1.20	2.50	20
1010XTY	101.00	1.50	1.20	2.50	20
1015XSY	101.50	1.00	1.20	2.50	20
1016XSU	101.60	1.20	1.50	2.50	20
1020XSK	102.00	1.20	1.50	2.50	20
1020XSU	102.00	1.20	1.50	2.50	20
1025XSU	102.50	1.20	1.50	2.50	20
1030XSU	103.00	1.20	1.50	2.50	20
1035XSU	103.50	1.20	1.50	2.50	20
1040XSU	104.00	1.20	1.50	2.50	20
1045XSU	104.50	1.20	1.50	2.50	20
1050XSU	105.00	1.20	1.50	2.50	20
1055XSU	105.50	1.20	1.50	2.50	20
1060XSU	106.00	1.20	1.50	2.50	20
1065XSU	106.50	1.20	1.50	2.50	20

Custom Piston Order Form

Fax to +49 (0) 7621 95 66 49-25

Engine Type _____
 Model _____ Year _____
 Number of Cylinders _____ Order Quantity of Pistons _____
 Displacement _____ Max RPM _____ Approx. HP _____
 Bore Size _____ Stroke _____
 Rod Length _____
 Rod Small-End Width _____
 Thickness above Pin _____
 Head Gasket Thickness _____
 Compression Ratio _____



CYLINDER HEAD

Combustion Chamber Size _____ cc's
 Valve Diameter In _____ Ex _____
 Free Drop (if known) _____
 Was cylinder head milled? Yes No
 If cylinder head was milled, how much?
 Flat _____ Angled _____

Piston Type (Circle one if known)

- Dome Flat Top Dish Inverted Dome
 Conical Spherical Round 3D

Pistons designed for Circle Track Asphalt Dirt
 Drag Race Road Race Marine Street/Ship
 other (please specify) _____

Is your Motor Carbureted Injected
 Turbo Charged: Lbs. Boost _____ Blown: Lbs. Boost _____
 Nitrous – how much HP 100 250 350 400+
 other (please specify) _____
 Fuel Type Pump Gas Race Gas Alcohol Nitro

PIN SPECS

Pin Diameter _____ Length _____
 Wall Thickness _____ Qty _____
 Pins with Order Yes No
 Pin Fit Yes No

Wössner GmbH reserves the right to choose the appropriate pin length if supplying pins per each piston design.

COMPANY INFORMATION

Company _____
 Contact Person _____
 Street _____
 Country _____
 Phone _____
 Fax _____
 E-Mail _____

RETURN POLICY: Custom pistons are returnable only for defects in workmanship or materials in the as received condition. Under no circumstances will parts be returnable after 90 days. Please check packaging for complete details regarding return policy. All returns require a „Return Materials Authorization“ (RMA) number, available from the Wössner GmbH sales department.





Wössner GmbH

Im Wörth 21 · 79576 Weil am Rhein · Germany
Phone +49 (0) 7621 95 66 49-0 · Fax +49 (0) 7621 95 66 49-25
info@woessner-kolben.de · www.woessner-kolben.de

Shelf Piston Order Form

Fax to +49 (0) 7621 95 66 49-25

Account Number _____ Date _____

Company _____

Contact Person _____

Street _____ Country _____

Phone _____ Fax _____

E-Mail _____

Quantity (Set / Each)	Part #	Comments

We will return a fax confirmation as soon as possible!

Parts available Yes No Confirmation _____

INSTRUCTIONS

SPECIFICATIONS AND INSTALLATION INSTRUCTIONS

Piston to Cylinder Wall Clearance:

Wössner pistons are designed with a special cam and cylinder design. When measuring for piston to wall clearance, measure at widest point of piston skirt from the bottom of the oil ring groove, 90 degrees from wrist pin hole.

Coated Pistons:

Piston to wall clearance is calculated before the coating is applied to the piston skirts.

Dome Clearance:

Dome to cylinder head clearance need to be checked prior to assembly.

Valve to Piston Clearance:

Most Wössner pistons are designed with valve pockets that are deeper and larger than OEM. These pockets provide adequate valve clearance under most conditions. It is very important that valve to piston clearance is checked upon piston Installation. This is necessary due to many variations in cams, how much a block has been decked, or if the heads have been cut or angle milled.



INSTALLATION INSTRUCTIONS 4-STROKE RINGS

The rings are installed with suitable piston ring pliers, starting with the lowest ring. Excessive opening of the rings is to be avoided, since this could lead to deformation of the rings. If the rings are deformed, they are not longer able to provide a perfect seal. Rings that have the mark are to be fitted with the marking facing upwards towards the piston crown. Special care is needed for the installation of steel rail rings (3S-rings).

After the spring has been loaded, the rails are to be mounted so that rail end gaps point towards the pin hole. When the upper rail is being installed, the ends of the spring needs to be held together so as to prevent over-lapping. After this, the lower rail is to be installed. In the case of pistons with rotation prevention in the ring grooves, care need to be taken to ensure that the ring gaps are positioned alongside the location pins. After the rings have been installed, the ring gaps are to be spread evenly around the circumference (for example at 120° intervals for a 3-ring piston).



NOTIZEN

NOTIZEN

NOTIZEN

NOTIZEN

GENERAL TERMS AND CONDITIONS

of contracts with Wössner GmbH - Im Wörth 21 - 79576 Weil m Rhein/Märkt

1. General

All offers, deliveries, repairs and other services are exclusively rendered on the basis of the following conditions. The applicability of contractual partners' conflicting terms and conditions is herewith denied. Deviations from these terms and conditions have effect only if they are confirmed by us in writing. All other alterations, requested or implied, remain invalid. These Terms and Conditions supersede all previous Terms and Conditions

2. Contract-execution and Content

2.1 All offers are subject to confirmation within three weeks and are non-binding.
2.2 Subsidiary agreements, restrictions, alterations or additions to contracts must be made and accepted in writing.

3. Prices and Terms of Payment

3.1 All prices exclude postage and packing.
Offers are made based upon current costs. Should, between acceptance of an order and delivery date, an unexpected rise in costs occur, we reserve the right to raise our wholesale prices accordingly. The same applies to retail prices only when the delivery date is more than four months after the order was confirmed. An increase in price on a retail contract is restricted to three percent of the original sum.
3.2 Only written estimates will be considered to be binding. Should we not receive a contract following an estimate we reserve the right to request an appropriate fee for this service.
3.3 Payment, in Euro, is due in full within one week of the billing date.
3.4 For delivery contracts we reserve the right to request payment in advance or cash on delivery.
3.5 The purchaser is only entitled to an account credit in the event of an unchallenged and legally upheld counter claim. Right of retention claims must be based upon such claims.
3.6 We reserve the right to off-set payments against outstanding debts in accordance with §§ 367 Abs. 1, 366 Abs. 2 BGB
3.7 In the event of delay or default in payment we reserve the right to charge interest at a rate of two percent above the base rate as defined by the Deutsche Bundesbank.

4. Delivery Dates and Appointments

4.1 Delivery dates and working schedules are only binding when agreed in writing.
4.2 In the event that we are unable to meet a delivery date, the customer is entitled to set a new delivery date, at least three weeks after the expiry of the original deadline. Only if this second deadline is reached without the delivery taking place is the customer entitled to withdraw from the agreement. The setting of deadlines and the withdrawal from agreements must take place in writing.
4.3 Force Majeure – events beyond our control, such as, but not restricted to, acts of God, industrial action and state intervention, that hinder us or our suppliers in the completion of our work may lead to an extension of the previously agreed delivery times. Should such events render completion of a contract impossible or the altered conditions unacceptable then either party is entitled, in writing, to withdraw from the agreement. There arises no entitlement to compensation

5. Transfer of Responsibility

5.1 We are not liable for loss or damage in transport. Responsibility passes to the customer as the goods are collected or leave our premises. If dispatch is delayed due to events beyond our control then responsibility passes to the customer with the notification of transport readiness. An insurance to cover possible damage or loss during transportation can be arranged on request. The cost of the insurance is the responsibility of the customer.
5.2 Responsibility for goods in transit to us remains with the customer.

6. Reservation of Title – Transfer of Ownership

6.1 The finished goods remain completely the property of Wössner GmbH until such time as all outstanding balances due to us have been paid. In the case of wholesale partners this clause also applies to future balances.
6.2 If our sole ownership of the goods becomes void through amalgamation or modification, then we receive a proportional ownership of the new retained goods based upon the value of its constituent parts.
6.3 The customer is entitled to process and sell the retained goods in the due course of his business. Any and all resulting income is payable to Wössner GmbH. Following a specific request from our customer we are willing to release them from this demand in so far as their income is more than twenty percent over our price.

7. Guarantee

7.1 Receipt of obviously faulty or incomplete goods must be immediately registered at Wössner GmbH. Notification must reach us within fourteen days of receipt of the goods. The extent of any further testing and the necessity of any further notification, in the case of trade customers, are legally governed. Any complaints concerning the goods must be forwarded in writing together with a copy of the relevant invoice.
7.2 We reserve the right to dispatch part orders in appropriate circumstances. These will be clearly marked as such and require no notification of missing components. Deviations from agreed or advertised properties of a product that either improve or do not influence its normal or planned usage are not considered to be defects. We reserve the right to make such alterations.
7.3 Our motor parts, tuning instruments and other accessories are generally delivered without TÜV testing and are only for use in specialised racing vehicles. Licensing for use on normal road vehicles is not part of any agreement.
7.4 Our guarantee is limited to repair or replacement of the delivered goods. In the event of a further problem after repair or replacement the customer may choose between an appropriate reduction in price or return of the goods and a refund. We reserve the right to two attempts to improve the original merchandise before further action is taken.
7.5 Faults directly or indirectly attributable to inappropriate handling, attempted repair, inflicted damage or other alterations to the goods carried out by the customer or a third party are not covered by our guarantee. The guarantee becomes void should the customer not follow exactly the instructions contained within the included Installation Manual.
7.6 For special constructions based upon designs provided by the customer, our guarantee is restricted to the quality of the construction work carried out. All risks relating to technical specification, function and endurance are carried by the customer.
7.7 Should we discover in the course of a complaints procedure that our guarantee is void, we reserve the right to charge the customer an appropriate fee for time and material costs.
7.8 The guarantee period is six months.

8. Liability

8.1 Except for instances of gross negligence or intentional malpractice, compensation claims arising from positive violation of claims, breach of duty prior to contract (culpa in contrahendo) and from tort are excluded in all instances except those arising from claims based faulty goods.
8.2 In cases of faulty merchandise liability is excluded for direct and consequential damage which occurs after the defect should reasonably have been identified.
8.3 Furthermore the amount of compensation for cases involving wholesale transactions is, based upon the foreseeable average damage for this nature of contract, limited to ten times the price of the article or, in the case of modifications, ten times the works costs. Instances involving exceptional risk factors must be registered pre-contract. Liability beyond the limits outlined within this contract will only be accepted if agreed in writing in advance.
8.4 Liability claims based upon a failure to follow the Installation instructions (Paragraph 7.5) or based upon damage caused as a result of an explicit customer request (Paragraph 7.6) are excluded.

9. Final Provisions

9.1 The place of fulfilment of this contract is 79576 Weil am Rhein, Germany. Insofar as the customer is a registered businessman within the bounds of the German Commercial Code, a legal entity under public law or a Special Fund under public law, the exclusive place of jurisdiction for all disputes arising directly or indirectly from the contractual relationship is 79576 Weil am Rhein. The current or usual place of residence of the plaintiff is immaterial.
9.2 German law is applicable to these General Terms and Conditions and to the entire legal relations between us and the customer. Uniform Sales Law and the United Nations Convention on Contracts for the International Sale of Goods have no jurisdiction. The German version of these terms and Conditions (Allgemeine Geschäftsbedingungen) are binding in content.
9.3 In the event that a condition in these General Terms and Conditions or a Provision under the structure of other agreements is, or will become invalid, this does not affect the validity of all other conditions or agreements.

Ø77

Ø75,41

Ø57,93

Ø35,62



72,80 +0,05

34



Wössner GmbH
Im Wörth 21
D-79576 Weil am Rhein/Märkt
Tel. +49 (0) 7621 95 66 49-0
Fax +49 (0) 7621 95 66 49-25
info@woessner-kolben.de
www.woessner-kolben.de